

HISTORY INFORMATION FOR THE FOLLOWING MANUAL:

SERVICE MANUAL

LA-3 CHASSIS

<u>MODEL NAME</u>	<u>REMOTE COMMANDER</u>	<u>DESTINATION</u>
KDF-55XS955	RM-Y915	US/CND
KDF-60XS955	RM-Y915	US/CND

ORIGINAL MANUAL ISSUE DATE: 9/2004

 :UPDATED ITEM

<u>REVISION DATE</u>	<u>SUBJECT</u>
9/2004	No revisions or updates are applicable at this time.
10/2004	Updated Block Diagram (Replaced Page 35 with Page 35)
1/2005	Corrected Section 2-1. Setting the Service Adjustment Mode and 2-2. Service Adjustment Mode Memory (Replaced Page 27 with Page 27)
	Corrected Section 2-4. Remote Adjustment Buttons and Indicators (Replaced Page 28 with Page 28)
	Updated contact information for Service Data requests (Replaced Page 30 with Page 30)
	Updated contact information for Tiled Schematic requests (Replaced Last Page with Last Page)
1/2005	Added Caution statement (Replaced Page 6 with Page 6)
8/2005	Corrected location of LVDS Cables (Replaced Page 76 with Page 76)

LCD PROJECTION TELEVISION

SONY[®]

SERVICE MANUAL

LA-3 CHASSIS

<u>MODEL NAME</u>	<u>REMOTE COMMANDER</u>	<u>DESTINATION</u>
KDF-55XS955	RM-Y915	US/CND
KDF-60XS955	RM-Y915	US/CND



KDF-55XS955



RM-Y915

LCD PROJECTION TELEVISION

SONY®

TABLE OF CONTENTS

SECTION TITLE	PAGE	SECTION TITLE	PAGE
Specifications	4	SECTION 3: DIAGRAMS.....	33
Warnings and Cautions	6	3-1. Circuit Boards Location	33
Safety Check-Out	7	3-2. Printed Wiring Boards and Schematic Diagrams Information	33
Self-Diagnostic Function.....	8	3-3. Block Diagrams	35
SECTION 1: DISASSEMBLY.....	13	3-4. Schematics and Supporting Information	36
1-1. Rear Cover Removal.....	13	A Board Schematic Diagram (1 of 3).....	36
1-2. Center Pillar Removal	13	A Board Schematic Diagram (2 of 3).....	37
1-3. Chassis Assembly and Fan Removal	14	A Board Schematic Diagram (3 of 3).....	38
1-4. Service Position	14	B Board Schematic Diagram (1 of 6)	41
1-5. Power Supply Block Removal (Lamp Drive Unit).....	15	B Board Schematic Diagram (2 of 6)	42
1-6. RF Antenna Switch and P Board Removal	15	B Board Schematic Diagram (3 of 6)	43
1-7. U Board, H4 Board, and Fan Removal	16	B Board Schematic Diagram (4 of 6)	44
1-8. F Board and G1 Board Board Removal	16	B Board Schematic Diagram (5 of 6)	45
1-9. A Board and KD Board Removal.....	17	B Board Schematic Diagram (6 of 6)	46
1-10. Q Box Assembly and B Board Removal.....	17	G2 Board Schematic Diagram (1 of 2).....	49
1-11. G2 Board Removal.....	18	G2 Board Schematic Diagram (2 of 2).....	50
1-12. Woofer Removal	18	P Board Schematic Diagram	53
1-13. Optics Unit Block Assembly and D.C. Fan Removal.....	19	KD Board Schematic Diagram	54
1-14. T Board Removal	19	G1 Board Schematic Diagram (1 of 2).....	56
1-15. Front Cover Assembly and H1 Board Removal	20	G1 Board Schematic Diagram (2 of 2).....	57
1-15-1. Replacing the Lamp.....	20	F Board Schematic Diagram.....	60
1-16. HM Board and H2 Board Removal.....	20	HM Board Schematic Diagram.....	62
1-17. H3 Board and Speaker Removal	21	H1 Board Schematic Diagram.....	64
1-18. Screen Mirror Block Assembly Removal	21	H2 Board Schematic Diagram.....	66
1-19. Mirror Cover Assembly Removal.....	22	H3 Board Schematic Diagram.....	68
1-19-1. Diffusion Plates (Screens) Tape Method	22	H4 Board Schematic Diagram.....	70
Wire Dressing.....	23	T Board Schematic Diagram	70
SECTION 2: CIRCUIT ADJUSTMENTS.....	27	U Board Schematic Diagram.....	71
2-1. Setting the Service Adjustment Mode	27	3-5. Semiconductors	73
2-2. Service Adjustment Mode Memory	27	SECTION 4: EXPLODED VIEWS.....	74
2-3. Memory Write Confirmation Method	28	4-1. Cover.....	74
2-4. Remote Adjustment Buttons and Indicators.....	28	4-2. Bottom Cabinet	75
2-5. H/V Center Confirmation and Adjustments	29	4-3. Chassis	76
2-6. Service Data.....	30	SECTION 5: ELECTRICAL PARTS LIST.....	77
2-7. ID Map Table	32		

SPECIFICATIONS

<p>Power Requirements 120V AC, 60Hz</p> <p>Power Consumption (W)</p> <p style="padding-left: 20px;">In Use (Max) 265W</p> <p style="padding-left: 20px;">In Standby Under 20W</p> <p>Inputs/Outputs HDMI IN</p> <p style="padding-left: 20px;">2 total</p> <p style="padding-left: 20px;">Video - 1080i, 720p, 480p, 480i</p> <p style="padding-left: 20px;">Audio - Two channel linear PCM 32, 44.1 and 48 kHz, 16, 20, and 24 bit</p> <p>Video (IN)</p> <p style="padding-left: 20px;">4 total (1 on front panel)</p> <p style="padding-left: 20px;">1Vp-p, 75ohms unbalanced, sync negative</p> <p>S Video (IN)</p> <p style="padding-left: 20px;">4 total (1 on front panel)</p> <p style="padding-left: 20px;">Y: 1Vp-p, 75ohms unbalanced, sync negative</p> <p style="padding-left: 20px;">C: 0.286Vp-p (Burst signal), 75ohms</p> <p>Audio (IN)</p> <p style="padding-left: 20px;">7 total (1 on front panel)</p> <p style="padding-left: 20px;">500 mVrms (100% modulation)</p> <p style="padding-left: 20px;">Impedance:47 kilo ohms</p> <p>Audio (VAR/FIX) Out</p> <p style="padding-left: 20px;">1 total</p> <p style="padding-left: 20px;">500 mVrms at the maximum volume setting (Variable)</p> <p style="padding-left: 20px;">500 mVrms (Fixed)</p> <p style="padding-left: 20px;">Impedance (Output):2 kilo ohm</p> <p style="padding-left: 20px;">Note: Audio Out jacks are operable only when the TV's speaker is set to Off.</p>	<p>Control S (IN)</p> <p style="padding-left: 20px;">1 total</p> <p style="padding-left: 20px;">Minijack</p> <p>Control S (OUT)</p> <p style="padding-left: 20px;">1 total</p> <p style="padding-left: 20px;">Minijack</p> <p>Component Video Input</p> <p style="padding-left: 20px;">2 (Y, P_B, P_R)</p> <p style="padding-left: 20px;">Y: 1.0 Vp-p, 75 ohms unbalanced, sync negative</p> <p style="padding-left: 20px;">P_B: 0.7 Vp-p, 75 ohms;</p> <p style="padding-left: 20px;">P_R: 0.7 Vp-p, 75 ohms</p> <p>RF Inputs</p> <p style="padding-left: 20px;">2 total</p> <p>Digital Audio Optical Output (PCM/Dolby Digital)</p> <p style="padding-left: 20px;">1 total</p> <p style="padding-left: 20px;">Optical Rectangular (1)</p> <p>CableCARD Slot</p> <p style="padding-left: 20px;">1 total</p> <p style="padding-left: 20px;">PCMCIA Type I/II</p>
--	--

	KDF-55XS955	KDF-60XS955
Speaker Output (W)	5W x 2	
Woofers	20W	
Dimensions (W x H x D)		
mm	1,574 x 952 x 484 mm	1,685 x 1,007 x 514 mm
in	62 x 37 ^{1/2} x 19 in	66 ^{3/8} x 39 ^{5/8} x 20 ^{1/4} in
Mass		
kg	48 kg	51.5 kg
lbs	105 lbs 29 oz	113 lbs 19 oz

CableCARD™ is a trademark of Cable Television Laboratories, Inc.

TruSurround, SRS and the (●)® symbol are trademarks of SRS Labs, Inc.

TruSurround technology is incorporated under license from SRS Labs, Inc.

BBE and BBE Symbol are trademarks of BBE Sound, Inc. and are licensed by BBE Sound, Inc. under U.S. Patent No. 4,638,258 and 4,482,866.



Manufactured under license from Dolby Laboratories Licensing Corporation. Dolby and the double-D symbol are trademarks of Dolby Laboratories Licensing Corporation.



This TV incorporates High-Definition Multimedia Interface (HDMI™) technology. HDMI, the HDMI logo and High-Definition Multimedia Interface are trademarks or registered trademarks of HDMI Licensing LLC.

WEGA, Steady Sound, Digital Reality Creation, CineMotion, Memory Stick, Memory Stick Duo, Memory Stick PRO, Memory Stick PRO Duo, MagicGate, MID and Twin View are trademarks of Sony Corporation.

Design and specifications are subject to change without notice.

Television system

American TV standard, NTSC
ATSC compliant 8VSB, ATSC (8VSB terrestrial)
ANSI/SCTE 07 2000 QAM on cable

Channel coverage

Terrestrial 2-69/ Cable TV: 1-125 (analog)
Terrestrial: 2-69/ Cable TV: 1-135 (digital)

Screen Size (measured diagonally)

55 inches (KDF-55XS955 Only)
60 inches (KDF-60XS955 Only)

Antenna

75-ohm external antenna terminal for VHF/UHF

Projection System

3 LCD Panels, 1 lens projection system

LCD Panel

0.87 inch TFT LCD panel Approx. 3.28 million dots
(1,042,168 pixels)

Projection Lens

High Performance, large diameter hybrid lens F2.4

Lamp


UHP lamp, 132W XL-2100

Supplied Accessories

Remote Commander RM-Y915
Two Size AA (R6) Batteries

WARNINGS AND CAUTIONS


CAUTION

-  These servicing instructions are for use by qualified service personnel only. To reduce the risk of electric shock, do not perform any servicing other than that contained in the operating instructions unless you are qualified to do so.


WARNING!!

An isolation transformer should be used during any service to avoid possible shock hazard, because of live chassis. The chassis of this receiver is directly connected to the ac power line.

SAFETY-RELATED COMPONENT WARNING!!


Components identified by shading and  mark on the schematic diagrams, exploded views, and in the parts list are critical for safe operation. Replace these components with Sony parts whose part numbers appear as shown in this manual or in supplements published by Sony. Circuit adjustments that are critical for safe operation are identified in this manual. Follow these procedures whenever critical components are replaced or improper operation is suspected.

ATTENTION!!

-  Ces instructions de service sont à l'usage du personnel de service qualifié seulement. Pour prévenir le risque de choc électrique, ne pas faire l'entretien autre que celui contenu dans le Mode d'emploi à moins que vous soyez qualifié faire ainsi.

Afin d'éviter tout risque d'électrocution provenant d'un châssis sous tension, un transformateur d'isolement doit être utilisé lors de tout dépannage. Le châssis de ce récepteur est directement raccordé à l'alimentation du secteur.

ATTENTION AUX COMPOSANTS RELATIFS A LA SECURITE!!

Les composants identifiés par une trame et par une marque  sur les schémas de principe, les vues explosées et les listes de pièces sont d'une importance critique pour la sécurité du fonctionnement. Ne les remplacer que par des composants Sony dont le numéro de pièce est indiqué dans le présent manuel ou dans des suppléments publiés par Sony. Les réglages de circuit dont l'importance est critique pour la sécurité du fonctionnement sont identifiés dans le présent manuel. Suivre ces procédures lors de chaque remplacement de composants critiques, ou lorsqu'un mauvais fonctionnement suspecte.

SAFETY CHECK-OUT

After correcting the original service problem, perform the following safety checks before releasing the set to the customer:

1. Check the area of your repair for unsoldered or poorly soldered connections. Check the entire board surface for solder splashes and bridges.
2. Check the interboard wiring to ensure that no wires are "pinched" or touching high-wattage resistors.
3. Check that all control knobs, shields, covers, ground straps, and mounting hardware have been replaced. Be absolutely certain that you have replaced all the insulators.
4. Look for unauthorized replacement parts, particularly transistors, that were installed during a previous repair. Point them out to the customer and recommend their replacement.
5. Look for parts which, though functioning, show obvious signs of deterioration. Point them out to the customer and recommend their replacement.
6. Check the line cords for cracks and abrasion. Recommend the replacement of any such line cord to the customer.
7. Check the B+ and HV to see if they are specified values. Make sure your instruments are accurate; be suspicious of your HV meter if sets always have low HV.
8. Check the antenna terminals, metal trim, "metallized" knobs, screws, and all other exposed metal parts for AC leakage. Check leakage as described below.

Leakage Test

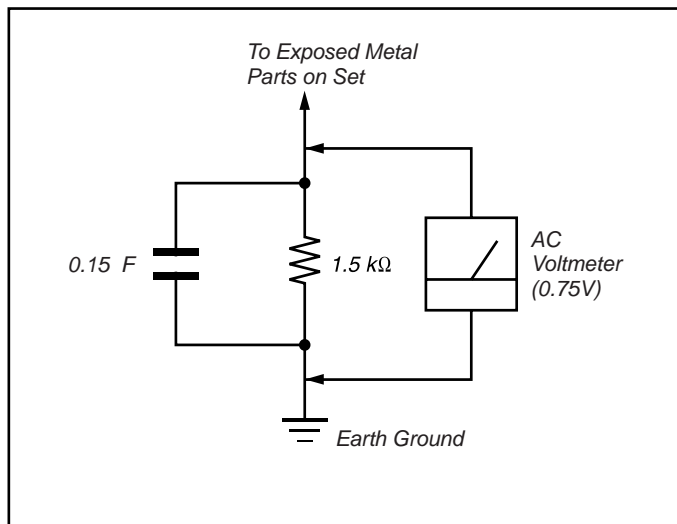


Figure A. Using an AC voltmeter to check AC leakage.

The AC leakage from any exposed metal part to earth ground and from all exposed metal parts to any exposed metal part having a return to chassis, must not exceed 0.5 mA (500 microamperes). Leakage current can be measured by any one of three methods.

1. A commercial leakage tester, such as the Simpson 229 or RCA WT-540A. Follow the manufacturers' instructions to use these instructions.
2. A battery-operated AC milliammeter. The Data Precision 245 digital multimeter is suitable for this job.
3. Measuring the voltage drop across a resistor by means of a VOM or battery-operated AC voltmeter. The "limit" indication is 0.75 V, so analog meters must have an accurate low voltage scale. The Simpson's 250 and Sanwa SH-63TRD are examples of passive VOMs that are suitable. Nearly all battery-operated digital multimeters that have a 2 VAC range are suitable (see Figure A).

How to Find a Good Earth Ground

A cold-water pipe is a guaranteed earth ground; the cover-plate retaining screw on most AC outlet boxes is also at earth ground. If the retaining screw is to be used as your earth ground, verify that it is at ground by measuring the resistance between it and a cold-water pipe with an ohmmeter. The reading should be zero ohms.

If a cold-water pipe is not accessible, connect a 60- to 100-watt trouble-light (not a neon lamp) between the hot side of the receptacle and the retaining screw. Try both slots, if necessary, to locate the hot side on the line; the lamp should light at normal brilliance if the screw is at ground potential (see Figure B).

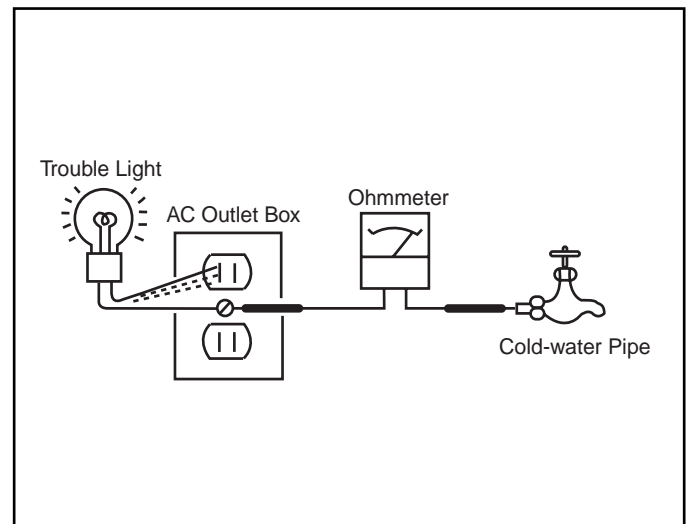


Figure B. Checking for earth ground.

SELF-DIAGNOSTIC FUNCTION



The units in this manual contain a self-diagnostic function. If an error occurs, the POWER/STANDBY or LAMP LED will automatically begin to flash. The number of times the LED flashes translates to a probable source of the problem. A definition of the POWER/STANDBY or LAMP LED flash indicators is listed in the instruction manual for the user's knowledge and reference. If an error symptom is difficult to reproduced use the Remote Commander to display the record that is stored at the internal NVM to specify the cause of the failure.

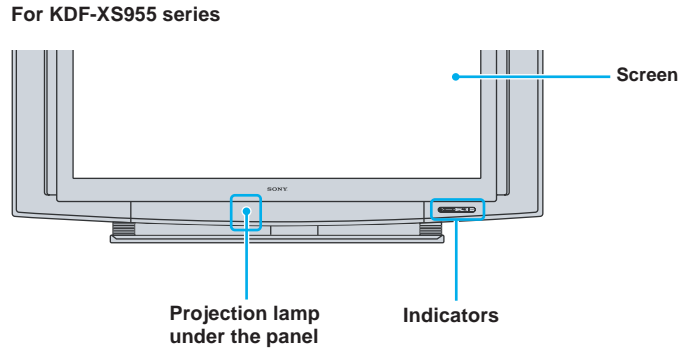
Diagnostic Test Indicators

When an error occurs, the POWER/STANDBY or LAMP LED will flash a set number of times to indicate the possible cause of the problem. If there is more than one error, the LED will identify the first of the problem areas. If the errors occur simultaneously, the one that corresponds to the fewest flashes is identified first.

Results for all of the following diagnostic items are displayed on screen. No error has occurred if the screen displays a "0".

Diagnostic Item Description	Number of times STANDBY or LAMP LED lamp flashes	Probable Cause	Detected Symptoms
Lamp cover error	3 times	- Lamp cover is not fastened securely	- No picture/No sound
Fan error	4 times	- Fan1-4 Power is not supplied.(G2 board) - Fan connector is not seated securely - Fan caught wires or harnesses	- No picture/No sound
Temp error	4 times	- Internal temperature is too high - IIC-E line connector is not seated properly (WE:H3 board, WF/XS:H4 board)	- No picture/No sound
Lamp driver error	5 times	- Lamp driver defect	- No picture/No sound
Low B error	6 times	-No "DD 6V " output (G1 board)	- No picture/No sound
Audio error	7 times	- Short-circuit of Audio power supply line (KD board, G1 board) - Blowout of a fuse (F4702,F4703,F4704 on KD board) - IC failure (IC4703,IC4708,IC4710 on KD board)	- No picture/No sound
D-OVP error	8 times	- Overvoltage of +3.3V or +2.5V (A board, B board)	- No picture/No sound
ATSC-OVP error	10 times	-No "DTL MODULE 5V " output (G1 board, G2 board)	- No picture/No sound
Lamp error	LAMP-LED is ON.	- Lamp is dead	- No picture/No sound

Display of POWER/STANDBY or LAMP LED Flash Count



- One flash is not used for self-diagnosis

- Example

Diagnosis	Number of times LED Flash
Lamp cover	3 times
Fan	4 times

The timing diagram shows two rows of pulses. The first row represents 3 flashes, and the second row represents 4 flashes. Below the pulses, the timing is defined as follows:
 LED ON : 0.3sec
 LED OFF : 0.3sec
 LED OFF : 3.0sec

Releasing the POWER/STANDBY LED Flash

Unplug the power cord from the outlet to temporarily stop the POWER/STANDBY lamp from flashing.

Self-Diagnosis Screen Display

For failures that are difficult to reproduce, or accompany occasional power off and/or picture mute, the Self-Diagnosis screen display is useful to specify the cause..

To Bring Up Screen Test

In standby mode, press the buttons on the Remote Commander sequentially, in rapid succession, as shown below:

1. [Display] → Channel 5 → Sound Volume 4 → Power ON

Self-Diagnostic Screen Display

SELF CHECK		
1	: LAMP ERR	0
3	: LAMP COVER	0
4	: FAN-E/TEMP-E	1
5	: LAMP DRIVER	0
6	: LowB-ERR	0
7	: Audio-Prot	1
8	: D-OVP	0
10	: ATSC_OVP	0
101	: WDT	0

"1" is displayed when a failure is detected one or more times
 "0" is displayed when no failure has been detected

Since the diagnostic results displayed on the screen are not automatically cleared, always check the self-diagnostic screen during repairs. When you have completed the repairs, clear the result display to "0".

Note: The self-diagnostic function will not be able to detect any subsequent faults after completion of the repairs unless the result display is cleared to "0".

Clearing the Result Display

To clear the result display to "0", press the buttons on the Remote Commander sequentially when the diagnostic screen is displayed, as shown below:

1. If the screen is already displayed, proceed to step 3. If not, Power off (Set to Standby model).
2. Press **Display** → **Channel 5** → **Sound Volume 1** → **Power ON**
3. Press **Channel 8** → **ENTER**

Clearing the Self-Diagnostic Screen

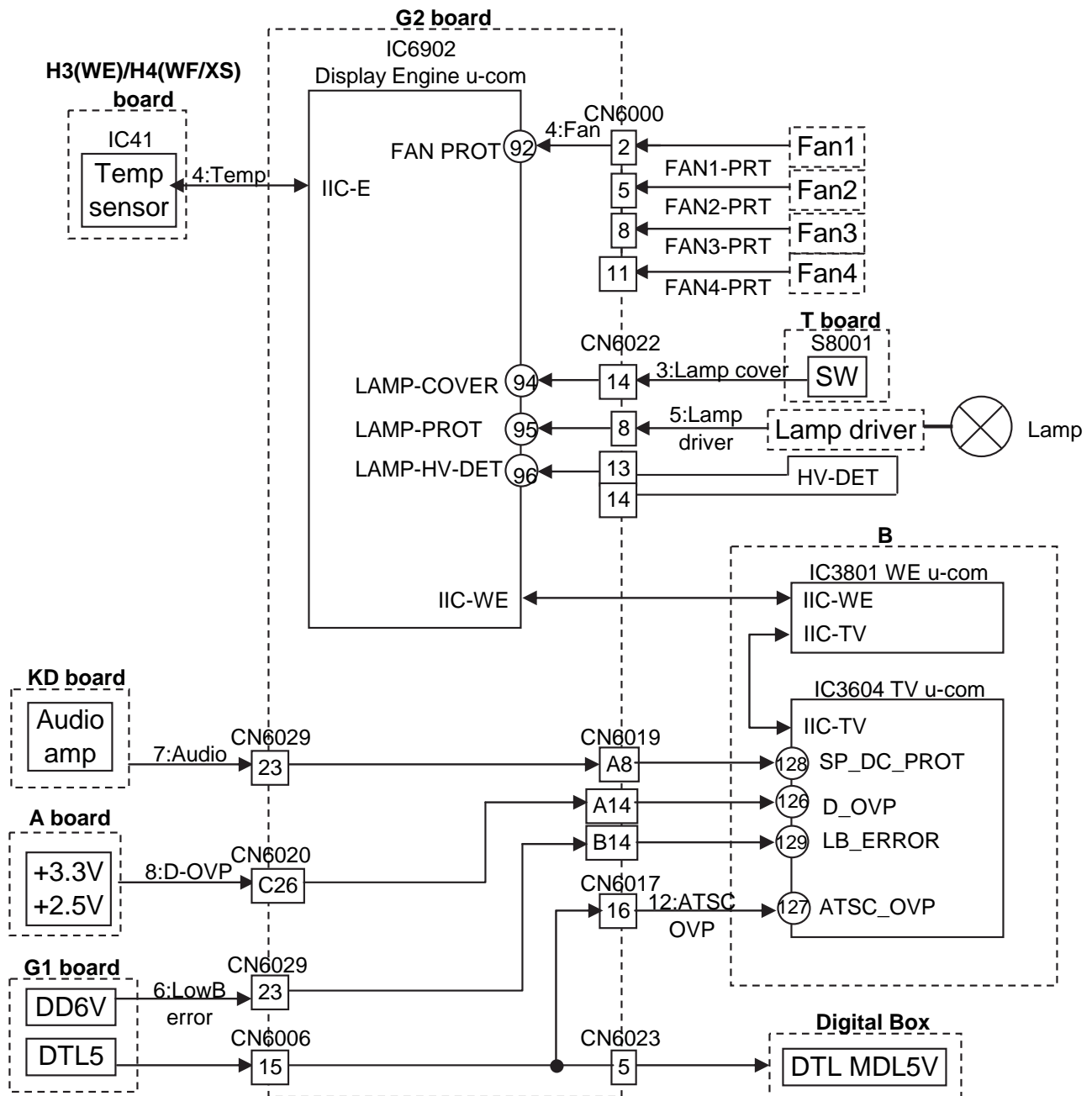
The self diagnosis screen display is cleared by turning off the set using the Remote Commander or the power switch.

Self-Diagnostic Circuit

Self-Diagnosis Function Operation

3	Lamp cover	The rib at the back of the lamp cover closes the SW on the T board to ground pin 3 of CN8001. It is monitored by the DE-micro (pin 94 of IC6902) and turns off the lamp when it is opened.
4	Fan	Fan rotation is detected by "FAN-PROT" and the DE-micro (pin 92 of IC6902) turns off the lamp when it is "high".
4	Temp	When the temperature sensor on the H3 board (WE models) or H4 board (WF/XS models) detects high temperature, or IIC-E line connector (CN6022:G2 board, CN44:H3board/H4board) is not seated securely, the DE-micro turns off the lamp.
5	Lamp driver	When the "LAMP-PROT" (pin 95) is low, the lamp is not turned on. If the "LAMP-HV-DET" (pin 96) is low at the same time, it is classified as no high voltage of the lamp driver.
6	Low B error	When no "DD 6V " is detected, pin 129 of TV-micro is low and it turns off the main power.
7	Audio	When DC voltage is detected at the speaker or woofer outputs, pin 128 of TV-micro is low and it turns off the main power.
8	D-OVP	When overvoltage of "+3.3V" or "+2.5V" is detected, pin 126 of TV-micro is low and it turns off the main power.
10	ATSC-OVP	When no "Digital Module 5V" is detected, pin 127 of TV-micro is low and it turns off the main power.
LAMP	Lamp	When the "LAMP-PROT" (pin 95) is low, the lamp is not turned on. If the "LAMP-HV-DET" (pin96) is high at the same time, it is classified as no lamp or a dead lamp.

Self-Diagnosis Block Diagram



Reading Lamp and Panel time

Use the following to determine the lamp and panel time of a set.

Screen Display Method

In standby mode, press the buttons on the Remote Commander sequentially, in rapid succession, as shown below:

1. Press **Display** → Channel **5** → Sound Volume **+** → Power ON
2. To enter the DE-micro service menu, press **Jump** 3 times.
3. To display the Lamp time, press Channel **2** 9 times.

example

PANEL	NVM OK	9	OPTION_E
0 LAMP	0 Diff	1	
LampTM	14	LampCT	71

The screen displays:

"Total lamp time is 14 hours" and "Total lamp ON/OFF cycle is 71 times"

To reset the lamp time press Channel **3** → **Mute** → **Enter**.

WRI-EXE(Character color is Red) is momentarily displayed and LampTM is reset to "0".

4. To display the Panel time, press Channel **1** 7 times

example

PANEL	NVM OK	9	OPTION_E
7 SH SFT1	10 Diff	1	
PanelTM	14h		

The screen displays:

"Total Panel time is 14 hours"

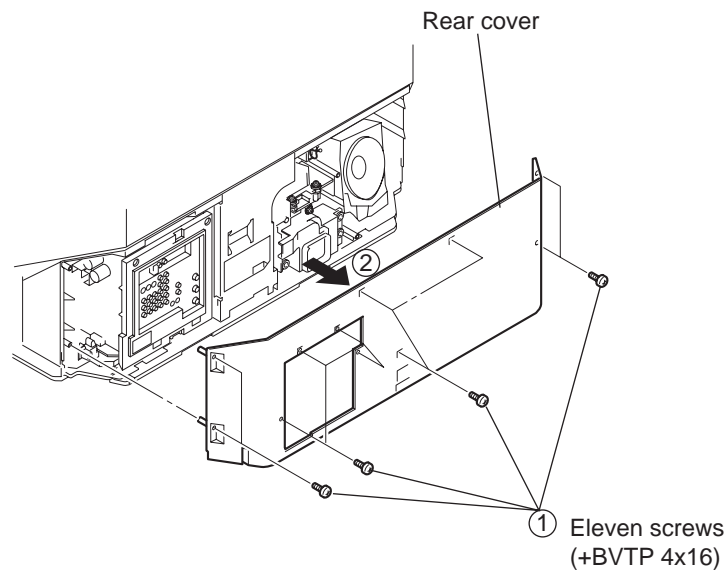
NOTE: You cannot reset the Panel time with the Service menu.

Exiting Service Mode

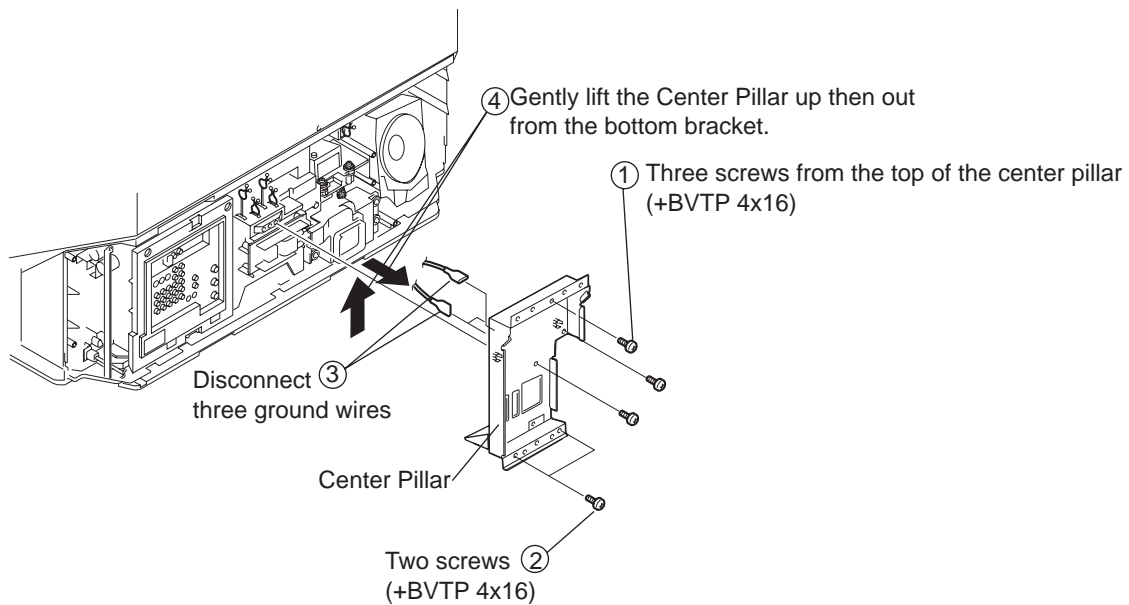
After completing the changes exit service mode by turning off the set using the Remote Commander or the power switch.

SECTION 1: DISASSEMBLY

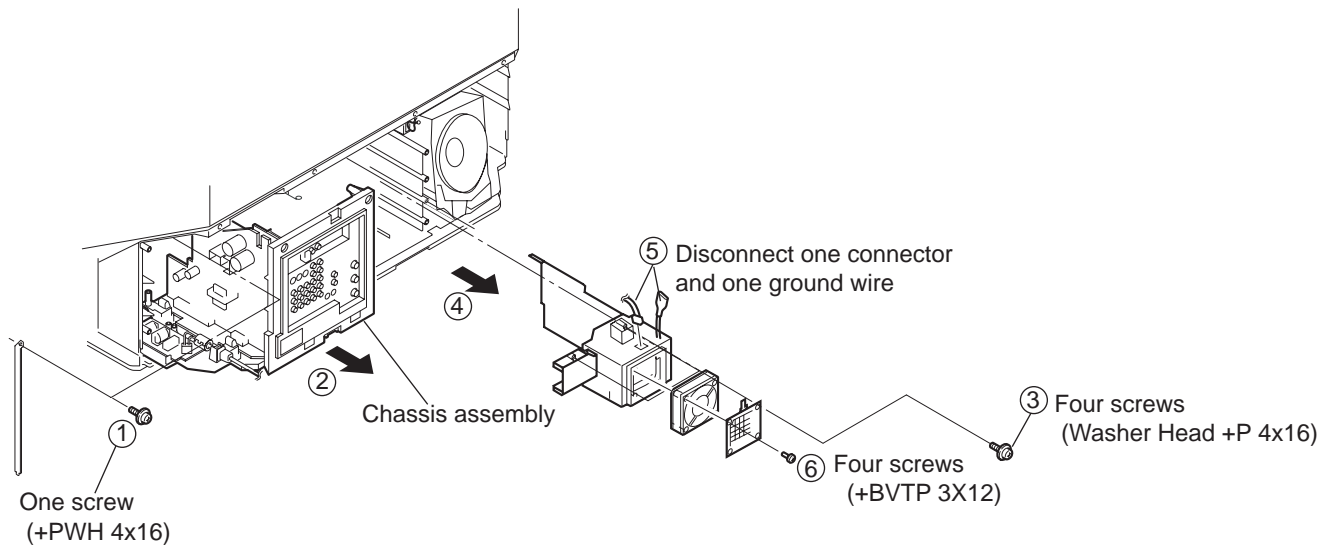
1-1. REAR COVER REMOVAL



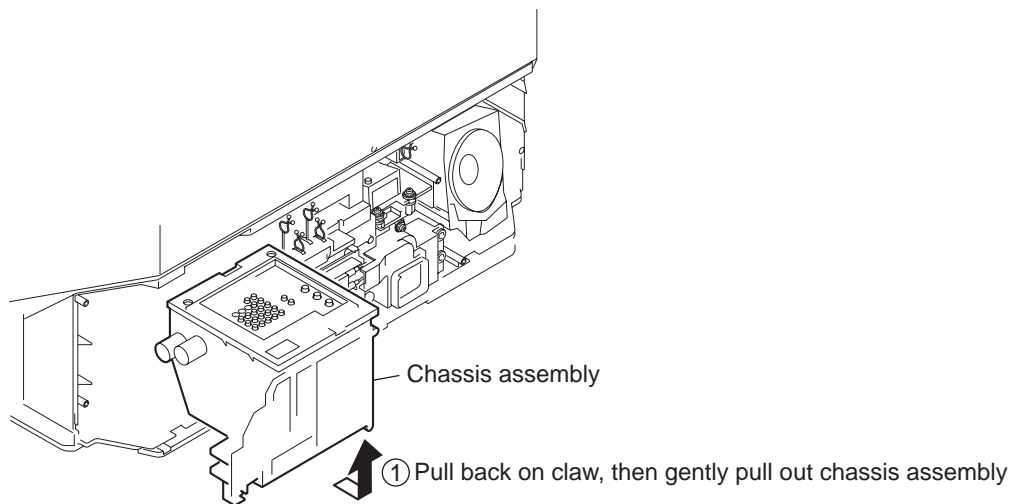
1-2. CENTER PILLAR REMOVAL



1-3. CHASSIS ASSEMBLY AND FAN REMOVAL

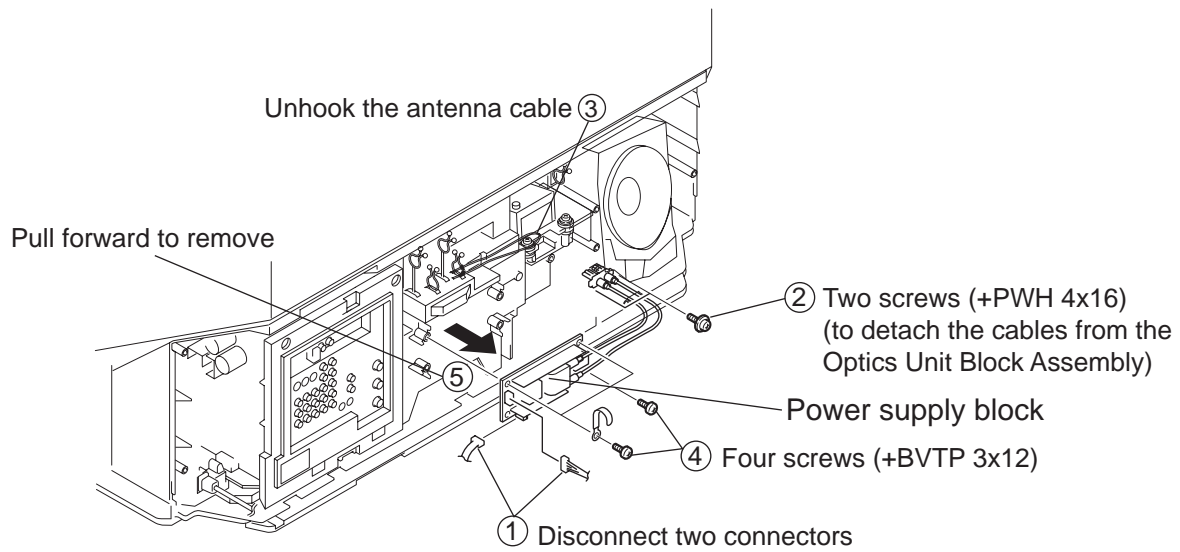


1-4. SERVICE POSITION

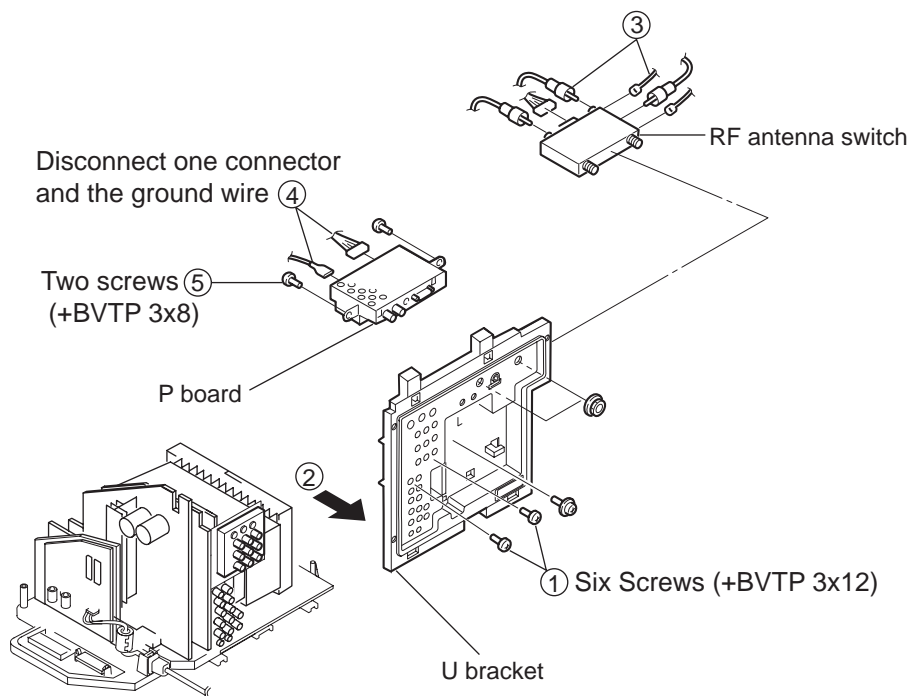


1-5. POWER SUPPLY BLOCK REMOVAL (LAMP DRIVE UNIT)

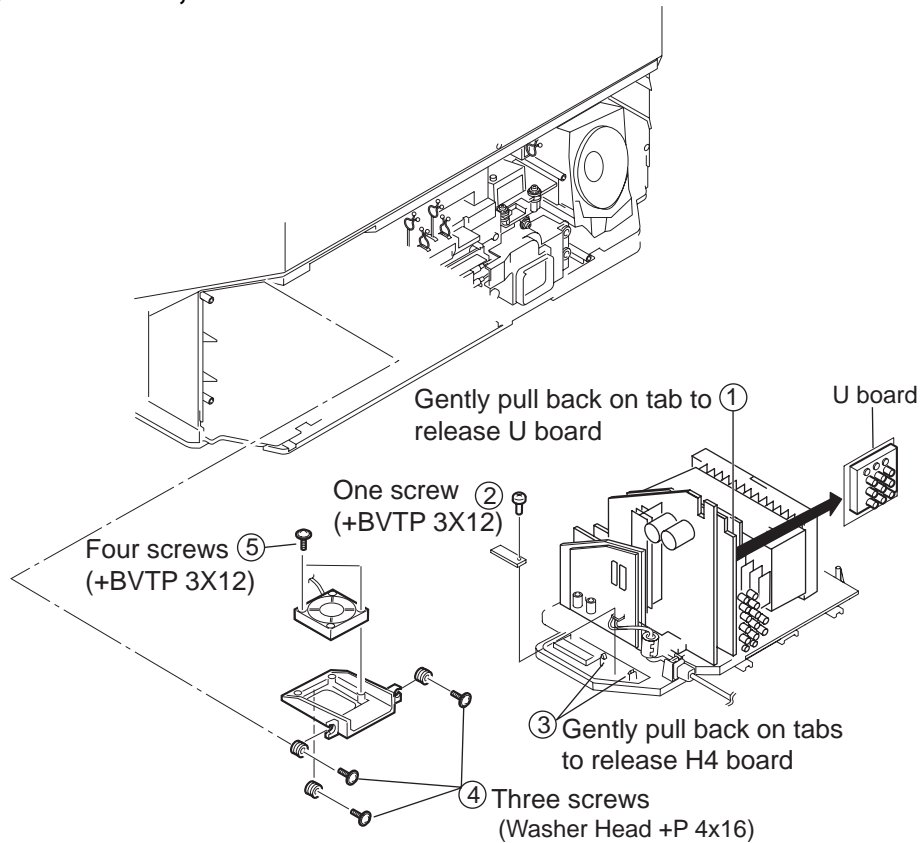
CAUTION: When removing the Power Supply Block be careful not to move the Optical Unit Block



1-6. RF ANTENNA SWITCH AND P BOARD REMOVAL

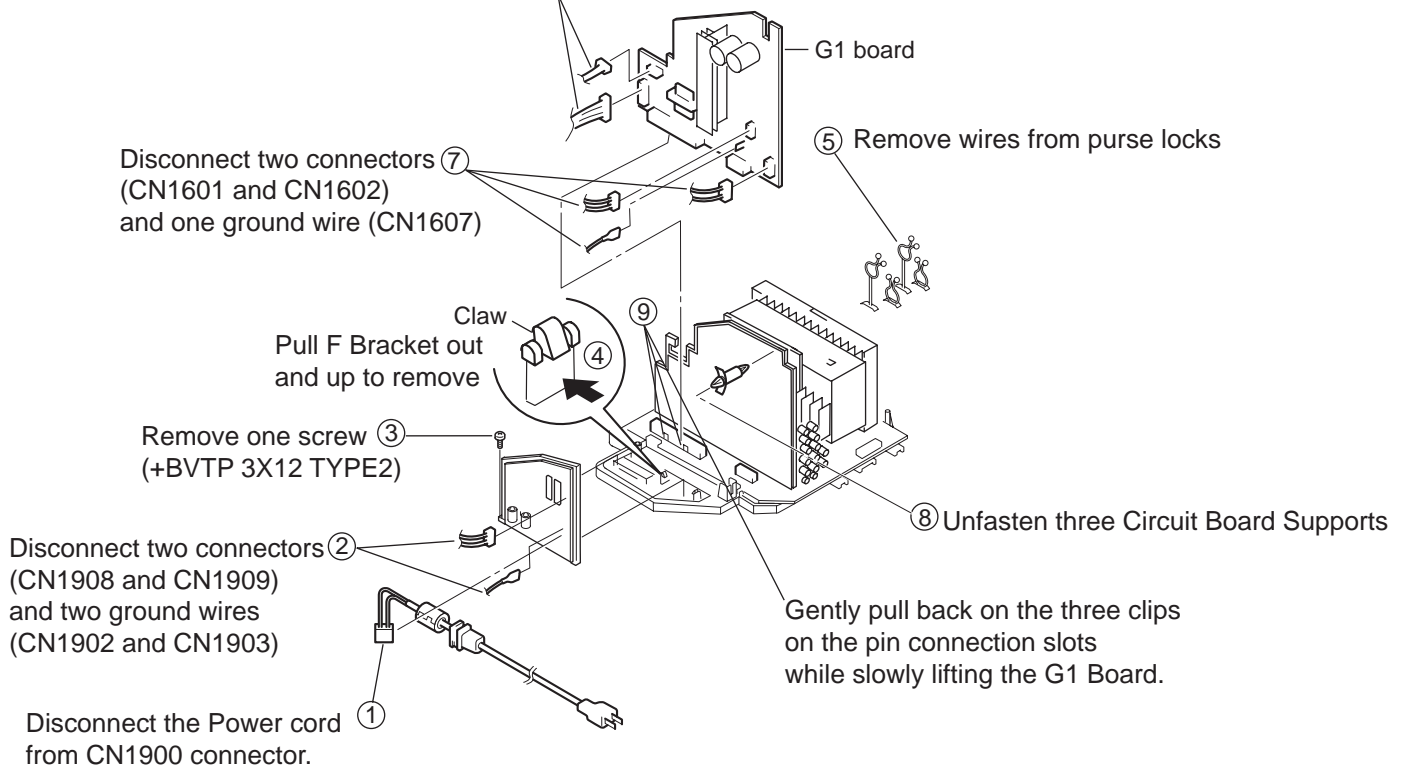


1-7. U BOARD, H4 BOARD, AND FAN REMOVAL

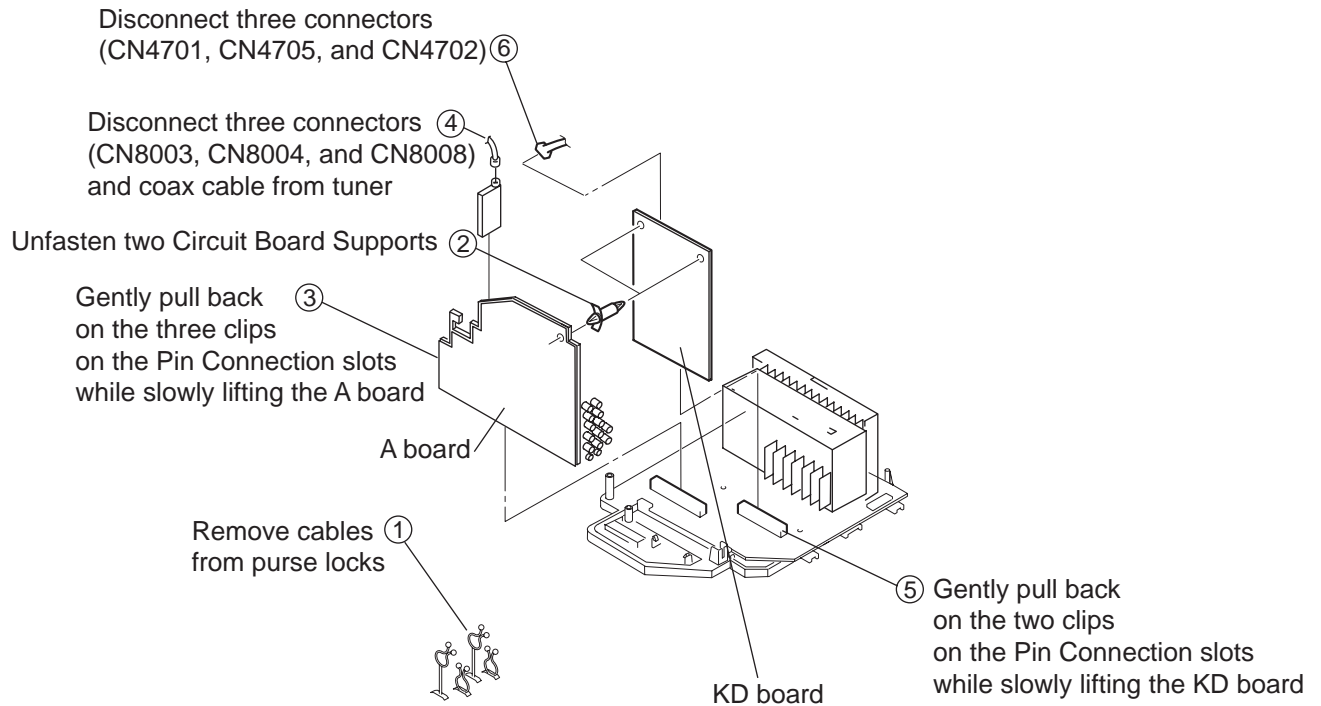


1-8. F BOARD AND G1 BOARD REMOVAL

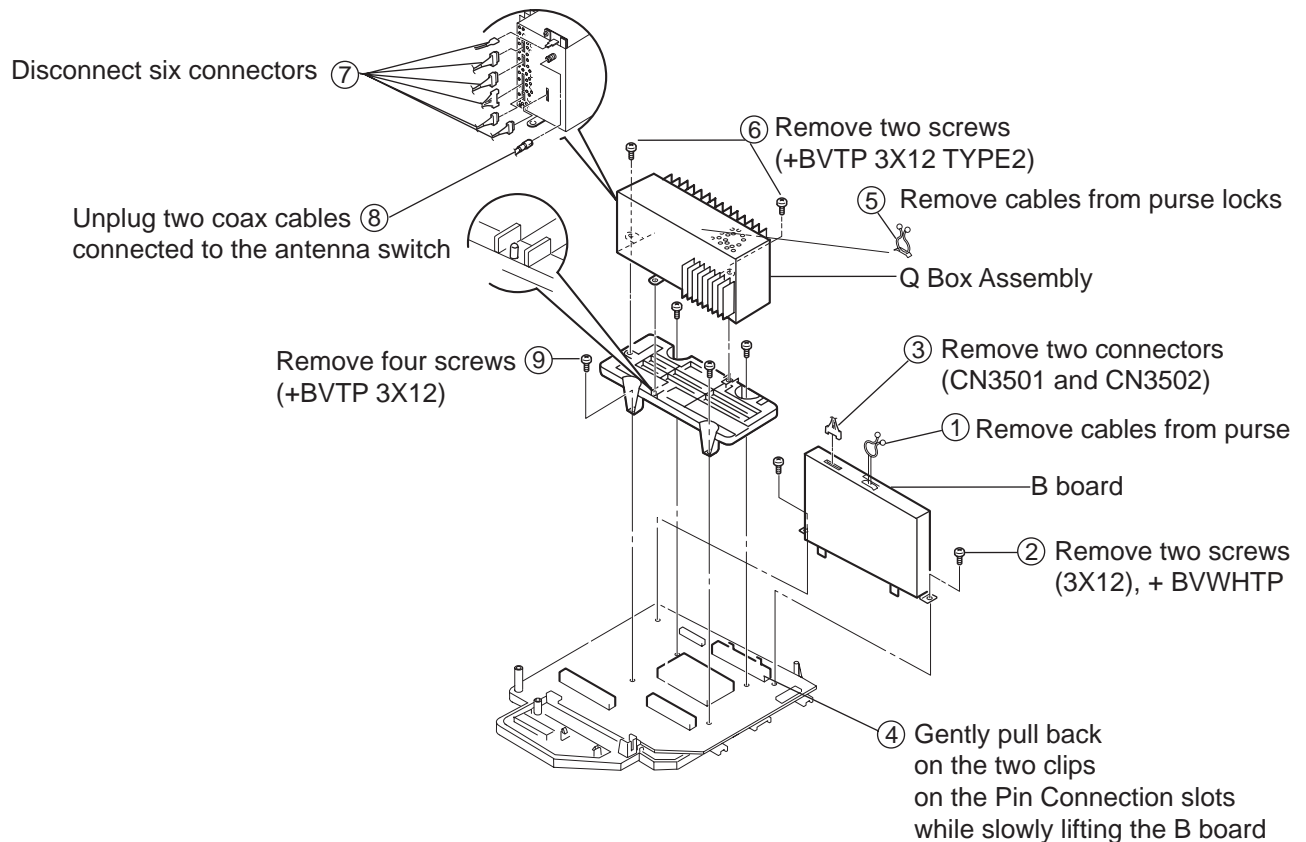
Disconnect two connectors (CN1603 & CN1604) ⑥



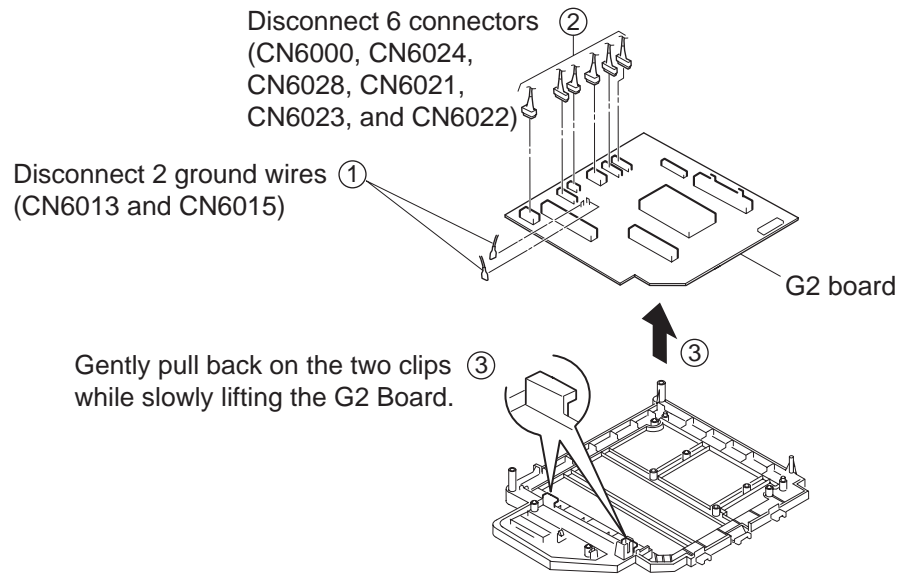
1-9. A BOARD AND KD BOARD REMOVAL



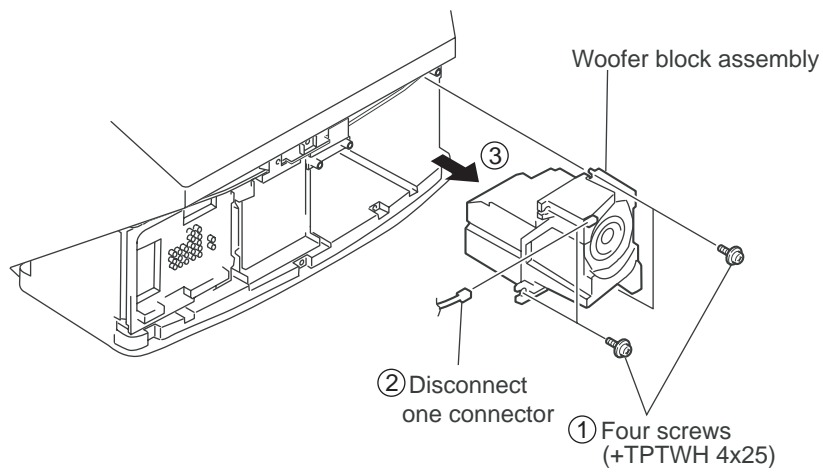
1-10. Q BOX ASSEMBLY AND B BOARD REMOVAL



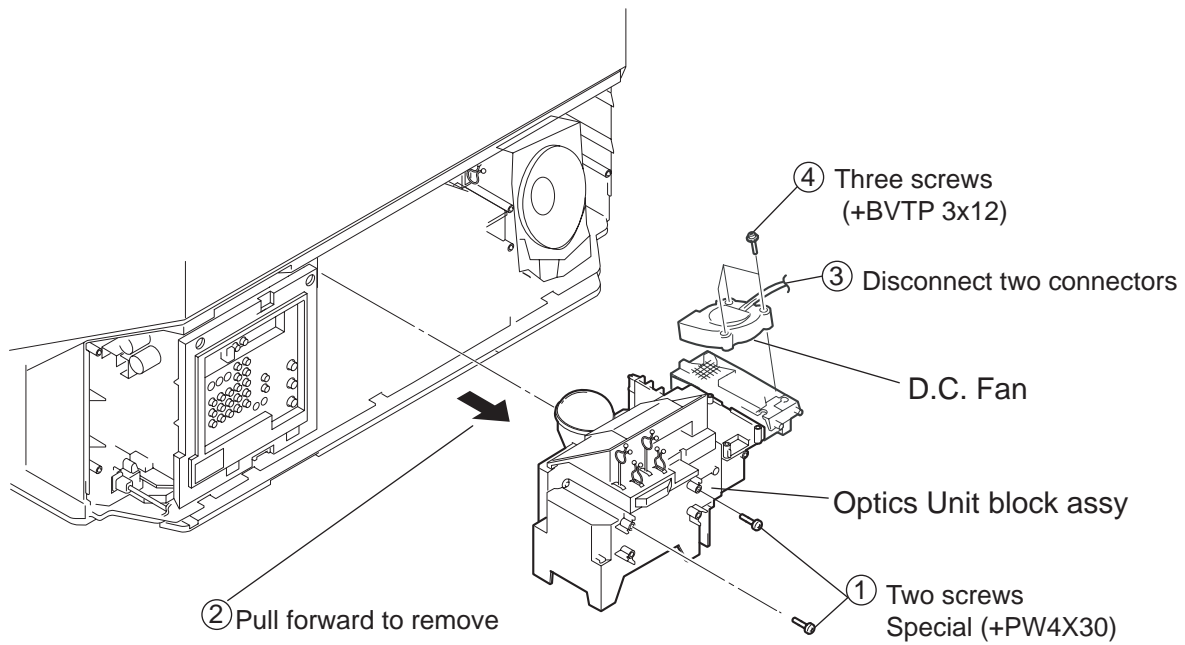
1-11. G2 BOARD REMOVAL



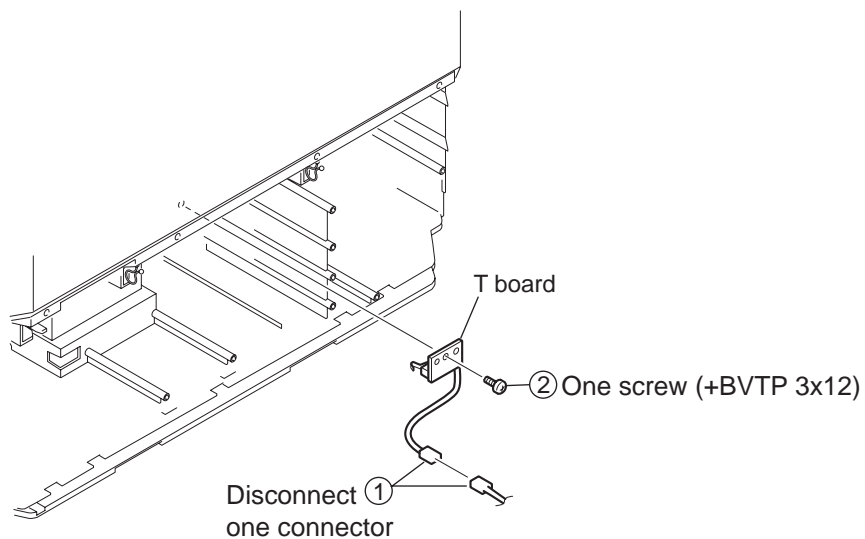
1-12. WOOFER REMOVAL



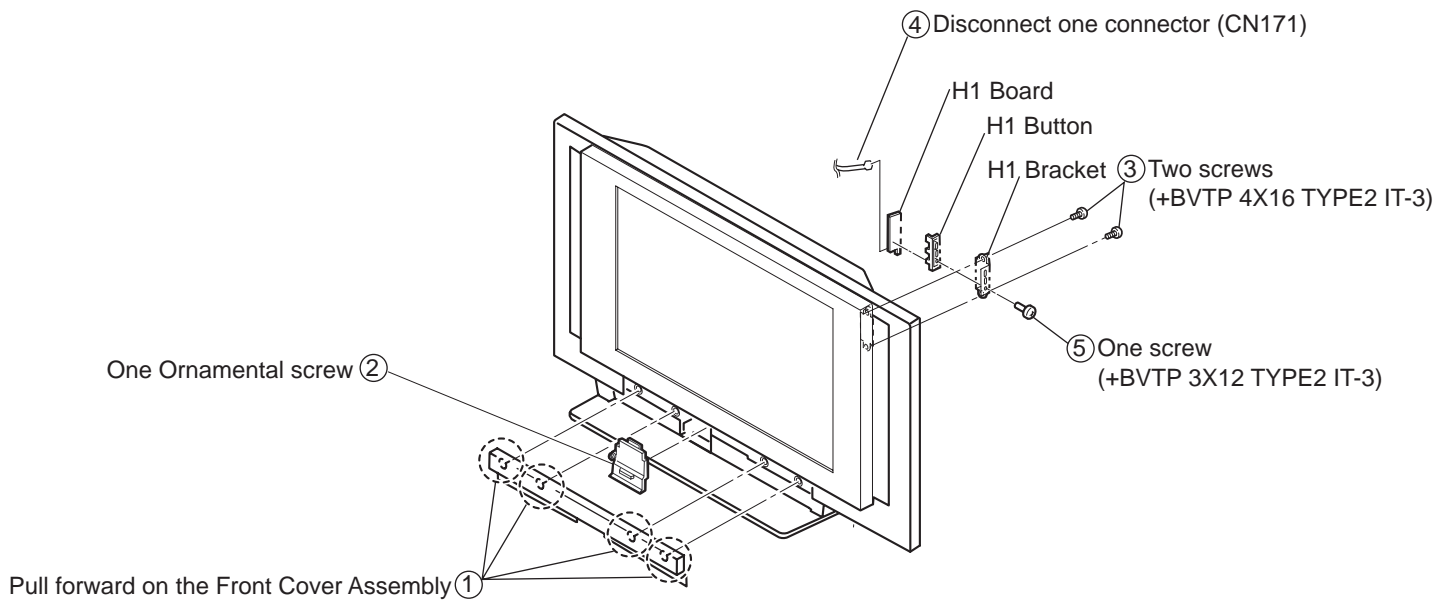
1-13. OPTICS UNIT BLOCK ASSEMBLY AND D.C. FAN REMOVAL



1-14. T BOARD REMOVAL



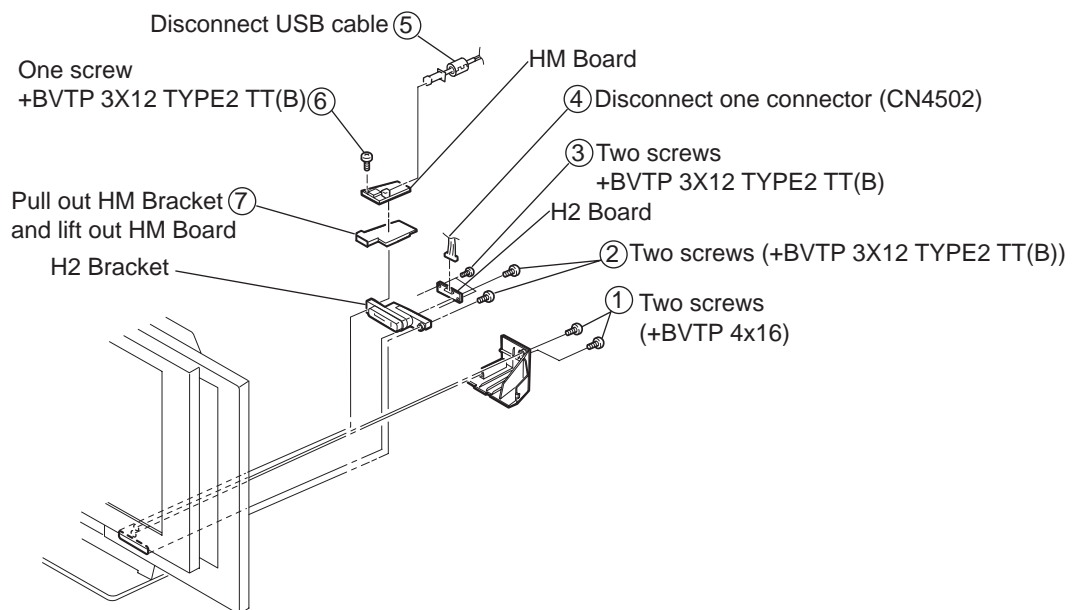
1-15. FRONT COVER ASSEMBLY AND H1 BOARD REMOVAL



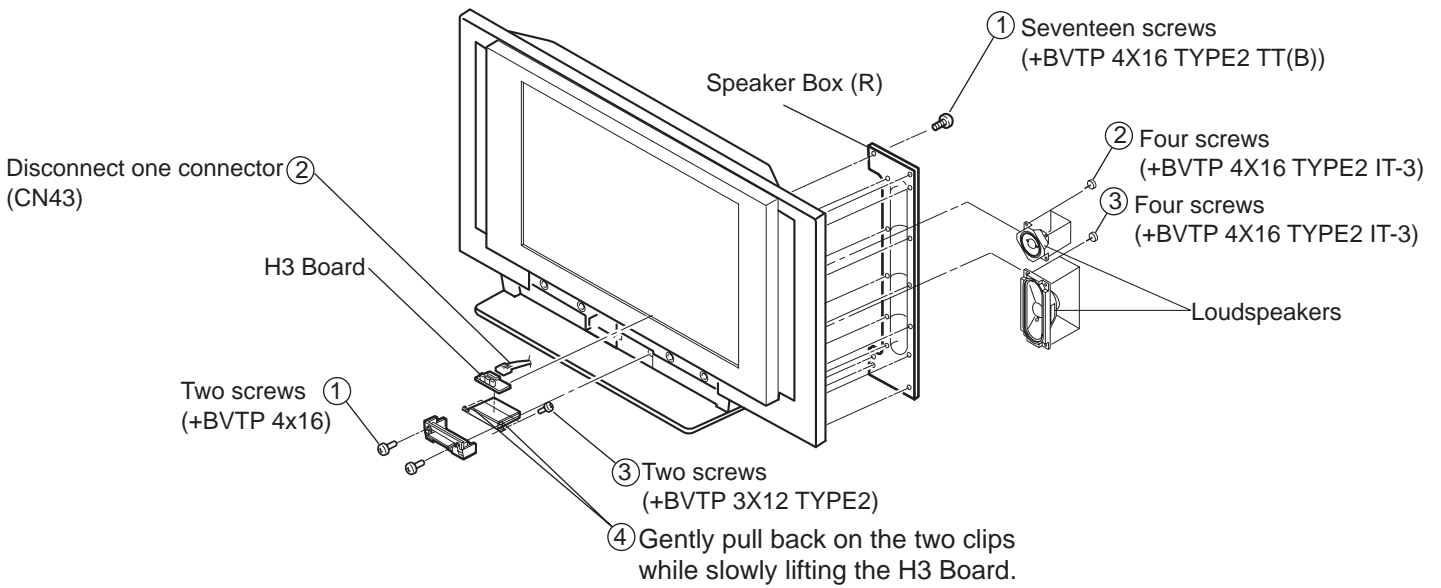
1-15-1.REPLACING THE LAMP

For detailed instructions on replacing the lamp, see Page 16 of the Operating Instructions manual.

1-16. HM BOARD AND H2 BOARD REMOVAL



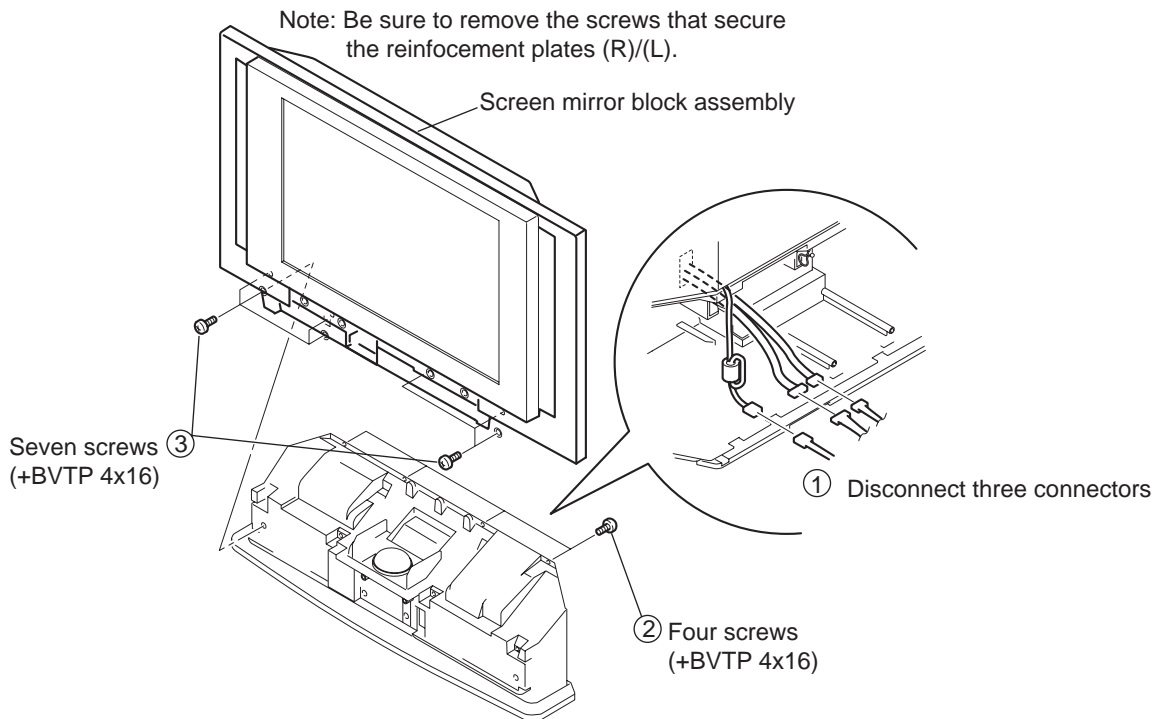
1-17. H3 BOARD AND SPEAKER REMOVAL



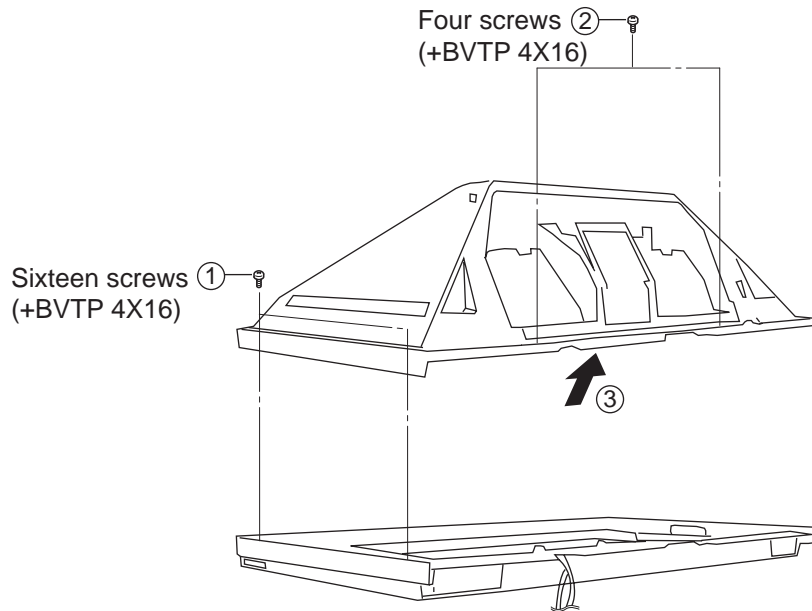
1-18. SCREEN MIRROR BLOCK ASSEMBLY REMOVAL

Caution:

When repairing anything inside the Screen Mirror Block Assembly be sure to clean the mirror and Diffusion Plate to remove any dust particles.

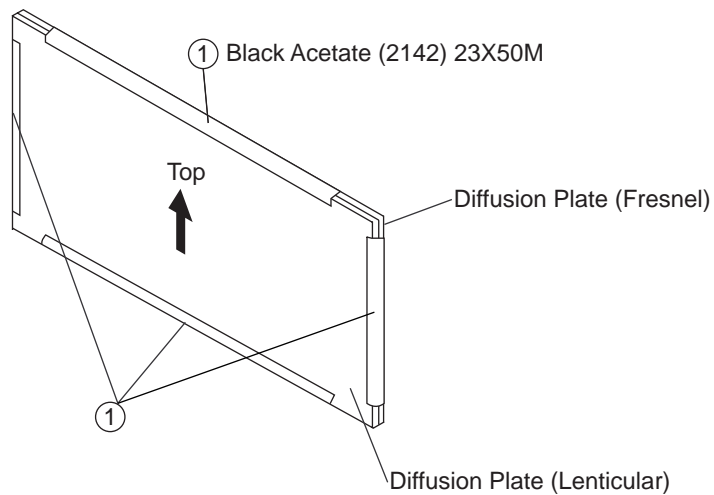


1-19. MIRROR COVER ASSEMBLY REMOVAL

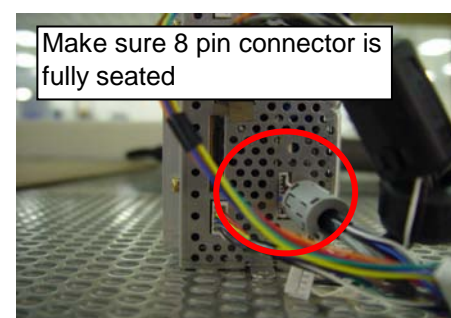
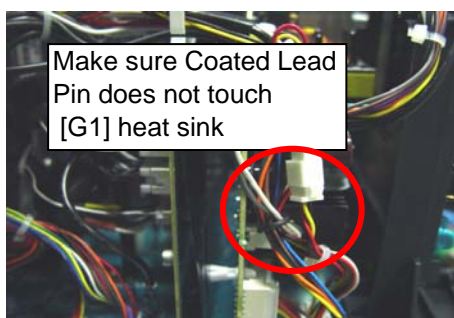
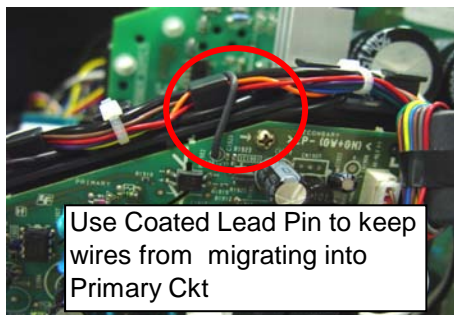
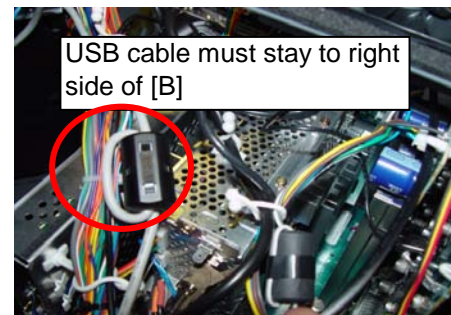
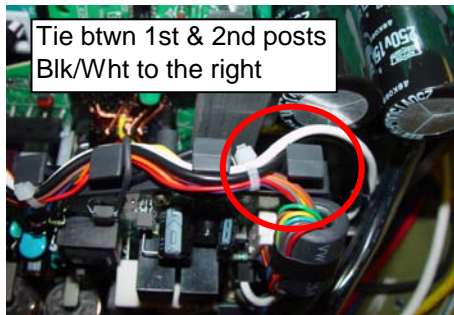
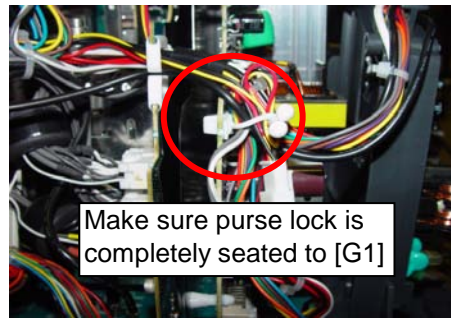


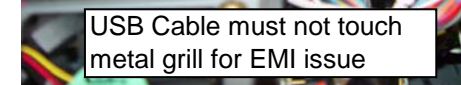
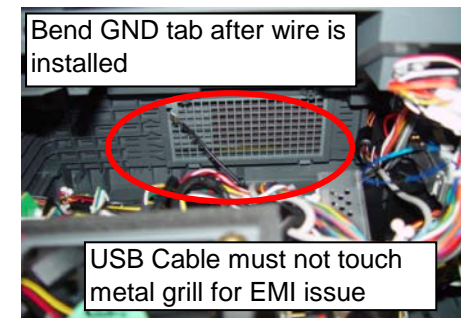
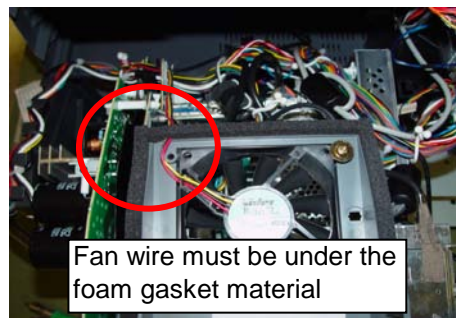
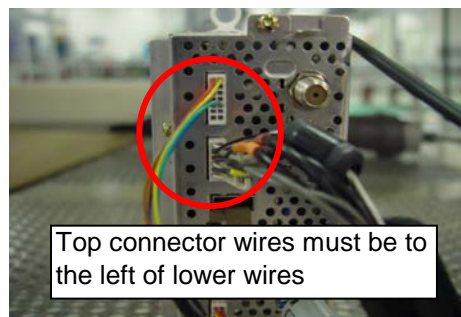
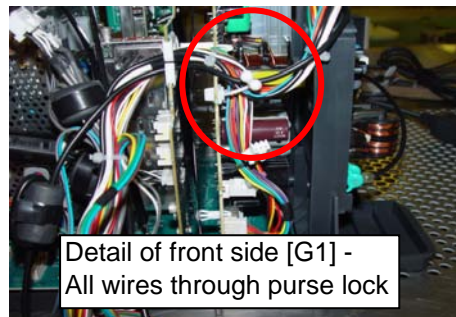
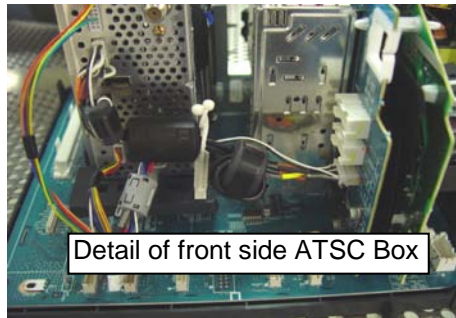
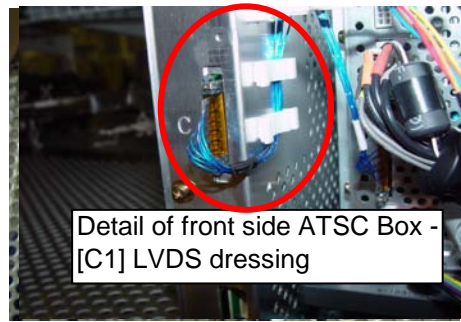
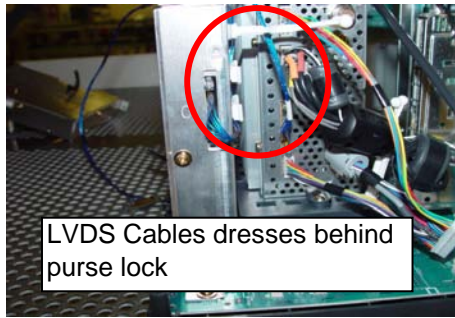
1-19-1.DIFFUSION PLATES (SCREENS) TAPE METHOD

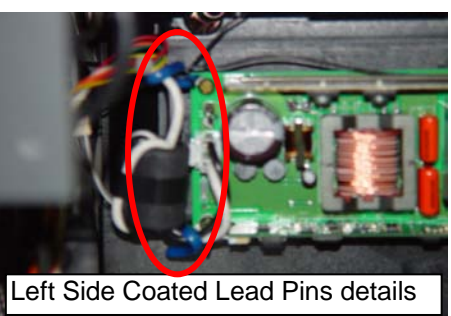
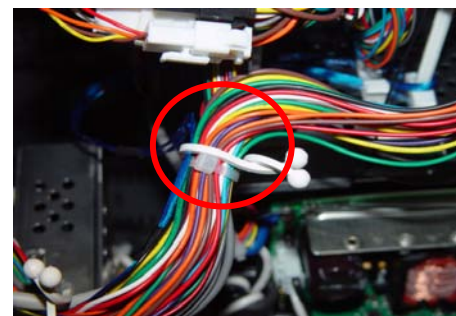
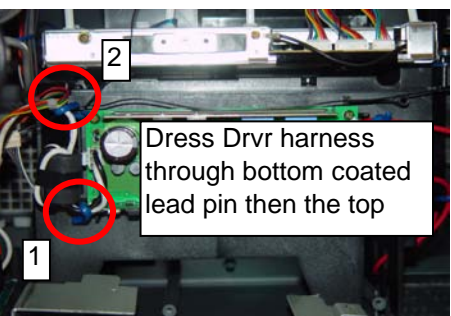
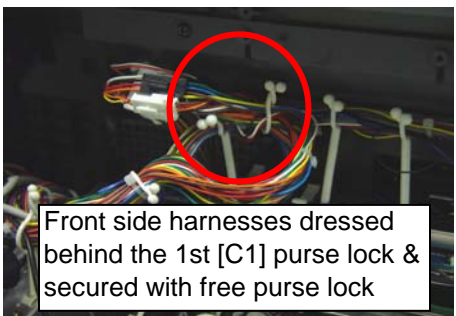
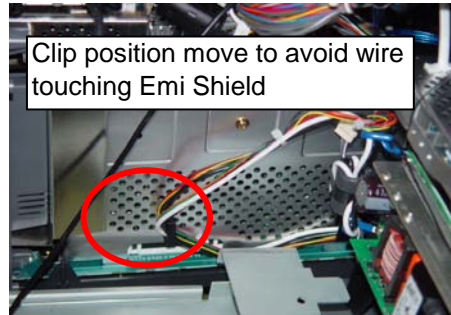
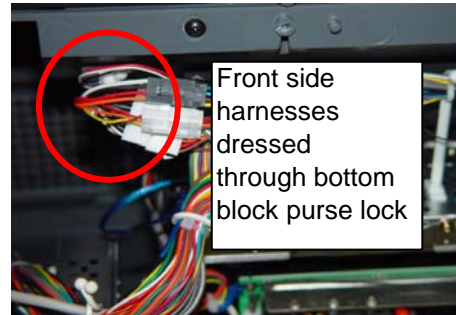
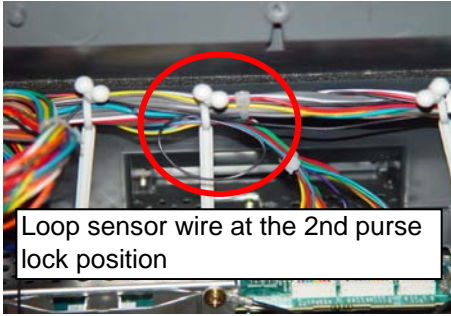
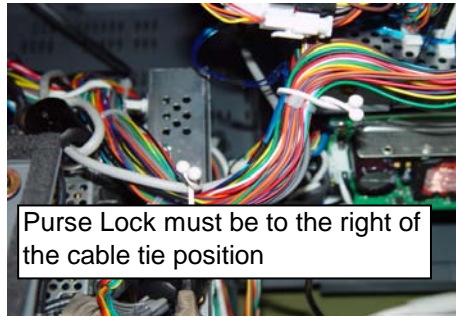
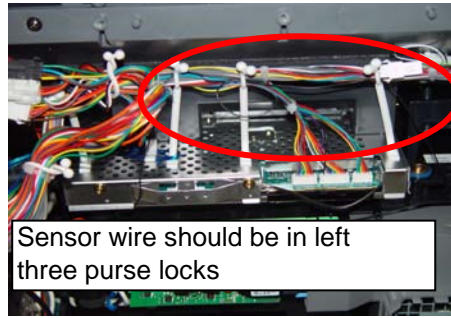
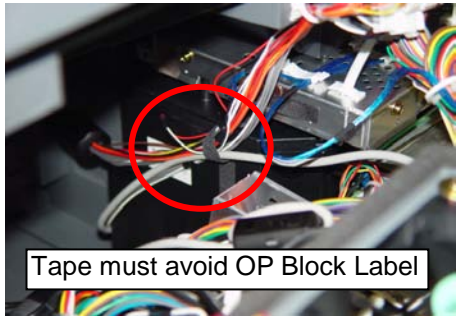
The following diagram illustrates the taping method when replacing the Diffusion Plates.
For Part Numbers refer to section 6-1. Cover.

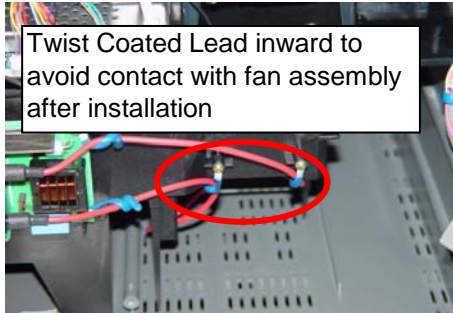
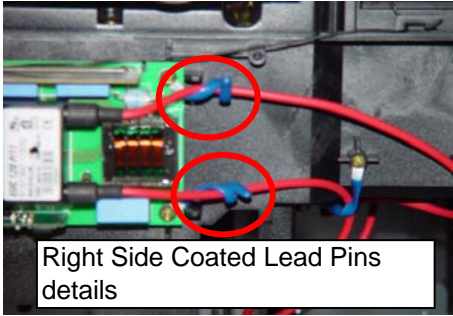


WIRE DRESSING









SECTION 2: CIRCUIT ADJUSTMENTS

2-1. SETTING THE SERVICE ADJUSTMENT MODE

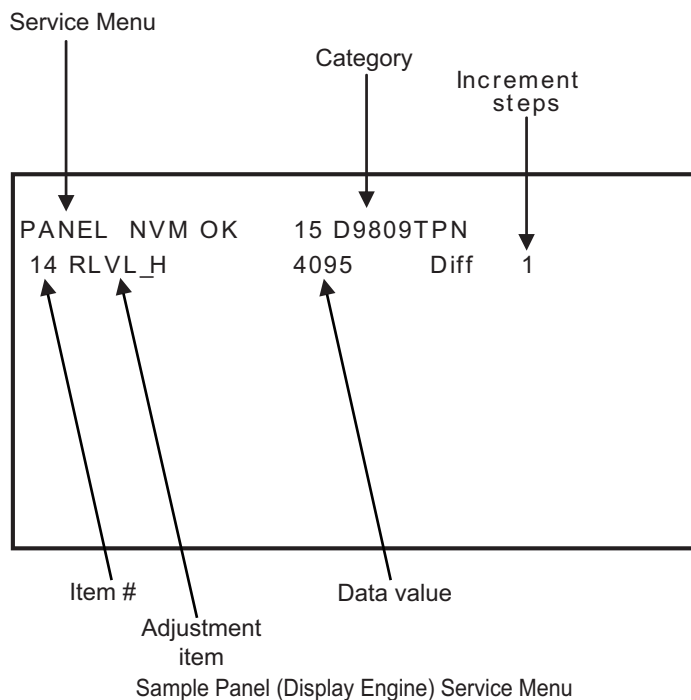
To adjust various set features, use the Remote Commander to put the set into service mode to display the service menus.

- TV must be in standby mode. (Power off).
- Press the following buttons on the Remote Commander within a second of each other:

[DISPLAY] → Channel [5] → Volume [+] → [POWER].

The first service menu (TV) displays.

- To display the service menu that contains the category you want to adjust, press [JUMP] on the Remote Commander. (Refer to Service Menus)



2-2. SERVICE ADJUSTMENT MODE MEMORY

The screen displays the first category in the selected service menu.

- To change the **category**, press [2] or [5] on the Remote Commander.

Note: Pressing [2] or [5] only changes the categories within the service menu displayed. To change a category on one of the other service menus, press the [JUMP] button until the correct service menu is displayed.
- To change the **adjustment item**, press [1] or [4] on the Remote Commander.
- To change the **data value**, press [3] or [6] on the Remote Commander.

Note: To go back to the last saved data value, press [0] then [ENTER] on the Remote Commander to read the memory.
- To write into memory, press [MUTING] then [ENTER] on the Remote Commander.
- To exit service mode, turn the power off.

SERVICE MENUS

(CATEGORIES ONLY)

TV	Q BOX	WEM 2 (WEGA ENGINE)	PANEL (DISPLAY ENGINE)
VERSION	QM	DCP-INT	OP
CXA2209Q	QT	DCP-OSD	A7001R
AP		DCP-BLK	A7001G
DLBY		DCP-ADJ1	A7001B
BUSSW		DCP-ADJ2	GB_RGB
CXA2103		DCP-USER	FAN_CNT1
CXA2163		DCP-AVP	FAN_CNT2
2DCOMB		MID-1-9	TEMP
TELETEXT		SNNR	OSD_E
MSP SIZE		SNSS	OPTION_E
MSPMD		DRCVR	S_MAS_M
MSPSEL		USER-NR	S_MAS_S
MSPFNC		LPFC	J_L004
MSP3714G		CCPM-1 (1-12)	D9809_1
CCPS (1-11)		OVSN	D9809PIC
DELAY (1-2)		OP	D9809TPN
OSD			D9809CUR
CC M			D9809TG1
CC S			D9809 OSD
CC T			D9809HPF
ID			D9809CSC
OPB GA			D9809CGA
OP GA			D9809HUE
OP US			IMG_SHFT
			PROT_CNT

2-3. MEMORY WRITE CONFIRMATION METHOD

1. After completing all adjustments turn the set off with the Remote Commander and **WAIT** for the fans to turn off before proceeding to the next step.

Note: It may take up to two minutes for the fans to stop.

Caution: To avoid over heating the lamp, do not unplug the set until the fans have stopped.

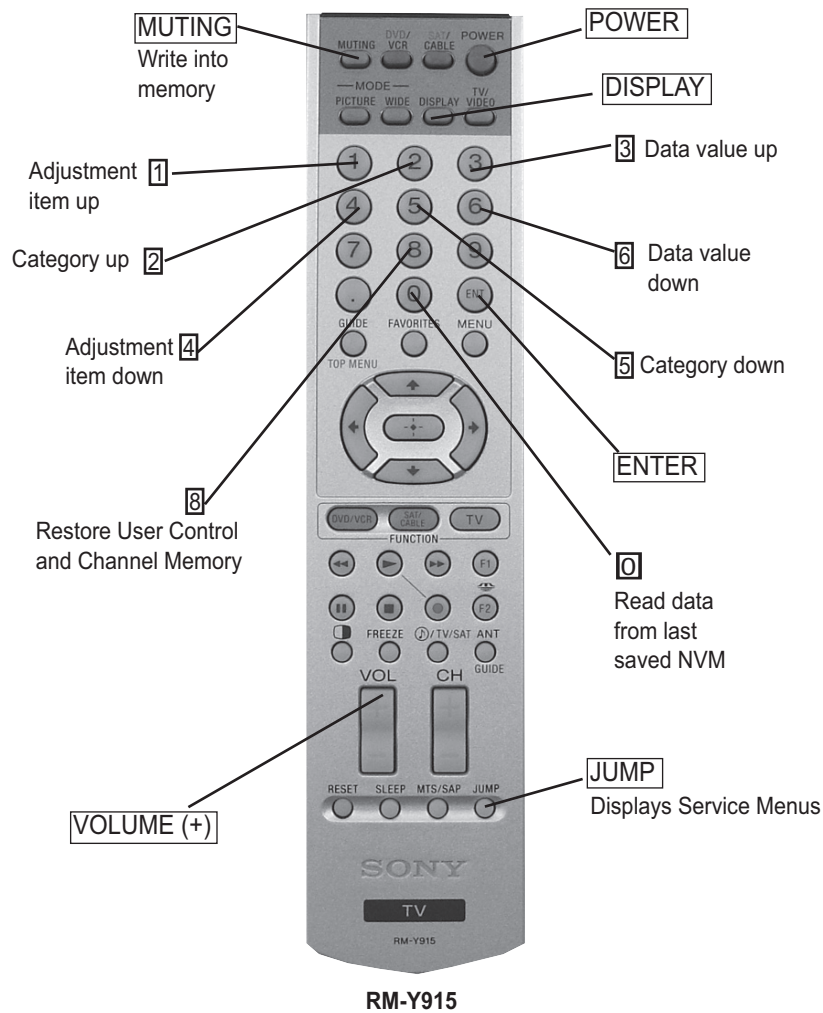
2. After the fans have stopped, unplug the set from the AC outlet, then plug the set back in the AC outlet.

3. To verify the changes repeat steps 2 through 5 from sections 2-1. Setting the Service Adjustment Mode and 2-2. Service Adjustment Mode Memory.

4. To exit service mode, turn the power off.

Note: To restore the User Controls and Channel Memory settings to the preset factory conditions, put the set into service mode (step 2 from 2-1. Setting the Service Adjustment Mode), then press **8 then **ENTER** on the Remote Commander. The set will restart and display the initial setup screen.**

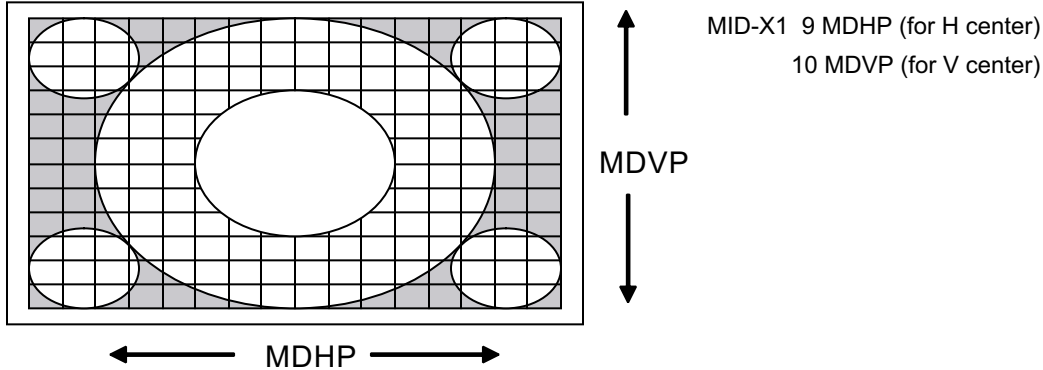
2-4. REMOTE ADJUSTMENT BUTTONS AND INDICATORS



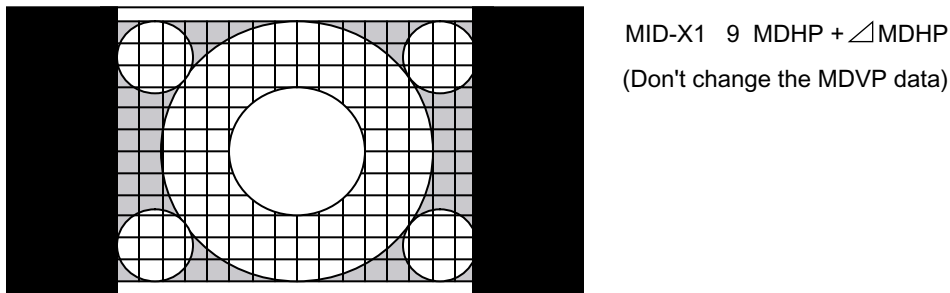
2-5. H/V CENTER CONFIRMATION AND ADJUSTMENTS

Please check the picture horizontal/vertical center after the replacement of the Optics Unit Block Assembly or any part of the Top assembly.

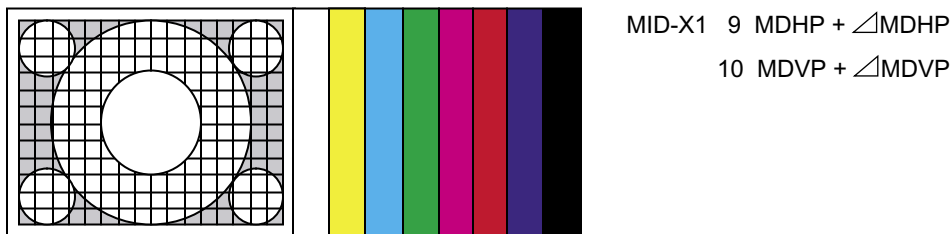
1. Check the H/V center with 480i monoscope signal in "Full" mode.
2. If the center is shifted, adjust using the following service items:
NOTE: Please record the steps shifted as \triangle MDHP and \triangle MDVP .



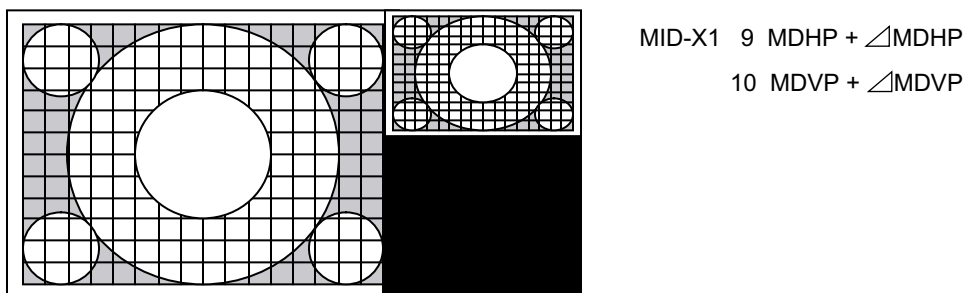
3. Change the WIDE mode to "Normal" and change the register data as follows:



4. Display the Twin Picture with the "split" button of the remote commander and change the registers data as follows:



5. Press "Favorites" button and change the registers data as follows:



6. OSD horizontal position must be adjusted as follows:

If above sum exceeds 255, set 1 to "16 RP1H" and set the "sum-256" to "17 RP1L".

Since the registers are different from other cases, be careful to follow complete instructions, and write the data before changing the display/wide mode .

2-6. SERVICE DATA

Only the Adjustable registers are shown in this data list.

A complete set of the service data, Fixed and Adjustable, can be downloaded at:

http://www-ec.sdp.sel.sony.com/padics/Model_Data_List.htm

Only Sony authorized Service Technician can access this site. To request a complete list of the service data in PDF format please contact the Service Promotion Department at Service_Promotion@am.sony.com.

TV SERVICE DATA

CATEGORY	#	ITEM	DESCRIPTION	CONDITION	SERVICE DATA (dec)				
					55XS955	60XS955		MIN	MAX
CXA2103	4	SCON		RF	8	8		0	15
				CV	8	8		0	15
				YC	8	8		0	15
	5	SCOL		RF	3	3		0	15
				CV	3	3		0	15
				YC	3	3		0	15
	6	SHUE		RF	10	10		0	15
				CV	3	3		0	15
				YC	3	3		0	15

WEGA ENGINE SERVICE DATA

CATEGORY	#	ITEM	DESCRIPTION	CONDITION	SERVICE DATA (dec)				
					55XS955	60XS955		MIN	MAX
DCP_OSD	16	RP1H			0	0		0	15
	17	RP1L			251	251		0	255
DCP_ADJ1	2	SCON		Component-480i	185	185		0	255
				Component-480p	192	192		0	255
				Component-1080i	193	193		0	255
				Component-720p	194	194		0	255
				ATSC-480i	178	178		0	255
				ATSC-480p	182	182		0	255
				ATSC-1080i	183	183		0	255
				ATSC-720p	182	182		0	255
				ATSC-TEXT	183	183		0	255
				HDMI-480i	185	185		0	255
				HDMI-480p	192	192		0	255
				HDMI-1080i	193	193		0	255
				HDMI-720p	194	194		0	255
				HDMI(VGA etc)	192	192		0	255
				MemoryStick(MPEG1)	183	183		0	255
MemoryStick(MPEG2)	183	183		0	255				
MemoryStick(PHOTO)	183	183		0	255				

WEGA ENGINE SERVICE DATA

CATEGORY	#	ITEM	DESCRIPTION	CONDITION	SERVICE DATA (dec)					
					55XS955	60XS955		MIN	MAX	
DCP_ADJ1	11	SCOL		Component-480i	200	200		0	255	
				Component-480p	201	201		0	255	
				Component-1080i	213	213		0	255	
				Component-720p	213	213		0	255	
				ATSC-480i	180	180		0	255	
				ATSC-480p	179	179		0	255	
				ATSC-1080i	178	178		0	255	
				ATSC-720p	189	189		0	255	
				ATSC-TEXT	190	190		0	255	
				HDMI-480i	200	200		0	255	
				HDMI-480p	201	201		0	255	
				HDMI-1080i	213	213		0	255	
				HDMI-720p	213	213		0	255	
				HDMI(VGA etc)	201	201		0	255	
				MemoryStick(MPEG1)	190	190		0	255	
MemoryStick(MPEG2)	190	190		0	255					
MemoryStick(PHOTO)	190	190		0	255					
MID_1	9	MDHP		Panel-0:Normal(SidePanel)	107	107		0	255	
				Panel-0:Window SidePanel	255	255		0	255	
				Panel-0:Twin(Center)	17	17		0	255	
				Panel-0:Favorite	21	21		0	255	
				Panel-0:Other	12	12		0	255	
CCPM_1	20	CVYL		Single:UV	183	183		0	255	
				Single:Video	193	193		0	255	
				UV(Twin/Favorite/Index)	171	171		0	255	
				Video(Twin/Favorite/Index)	171	171		0	255	
	21	CVCL			Single:UV	128	128		0	255
					Single:Video	133	133		0	255
					UV(Twin/Favorite/Index)	136	136		0	255
					Video(Twin/Favorite/Index)	136	136		0	255
	26	SHUE			Single:UV	32	32		0	63
					UV(Twin/Favorite/Index)	32	32		0	63

LCD ENGINE SERVICE DATA

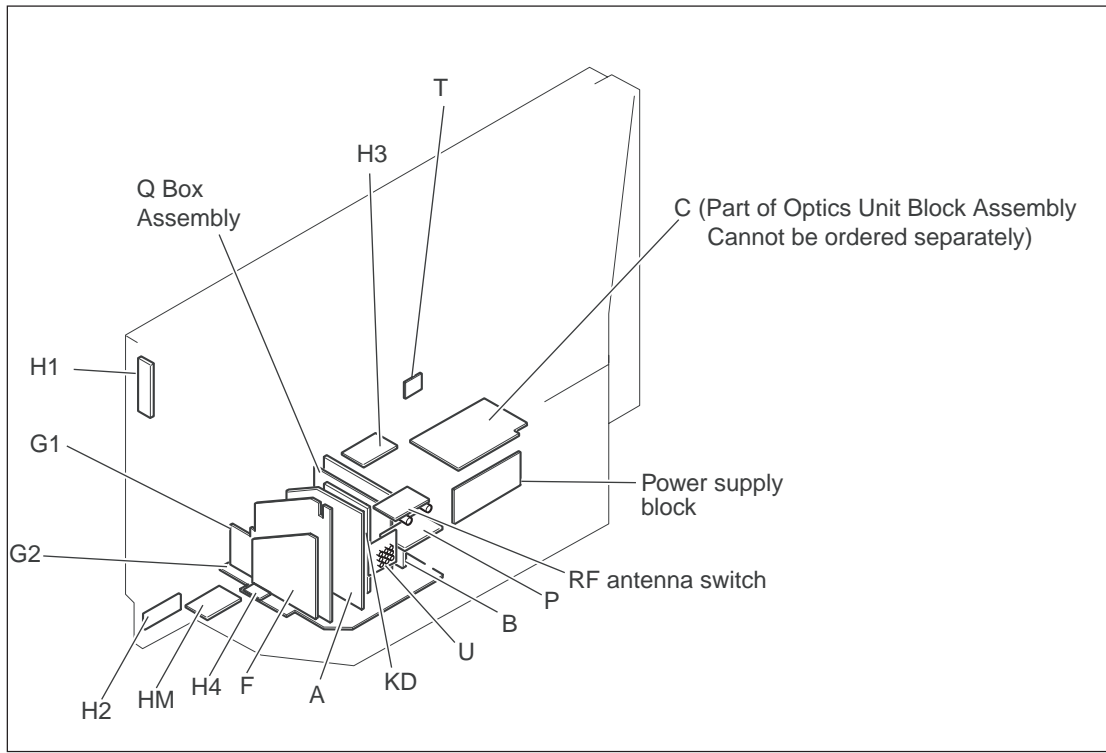
CATEGORY	#	ITEM	DESCRIPTION	CONDITION	SERVICE DATA (dec)					
					55XS955	60XS955		MIN	MAX	
A7001R	0	RGAINA			204	204		0	255	
	1	RGAINB			32	32		0	63	
	2	ROFSETA			165	165		0	255	
	3	ROFSETB			32	32		0	63	
	6	RVCOM			47	47		0	63	
	7	RSIDLVL			8	8		0	15	
	A7001G	0	GGAINA			190	190		0	255
1		GGAINB			32	32		0	63	
2		GOFSETA			146	146		0	255	
3		GOFSETB			32	32		0	63	
6		GVCOM			46	46		0	63	
7		GSIDLVL			8	8		0	15	
A7001B		0	BGAINA			179	179		0	255
	1	BGAINB			32	32		0	63	
	2	BOFSETA			125	125		0	255	
	3	BOFSETB			32	32		0	63	
	6	BVCOM			42	42		0	63	
	7	BSIDLVL			8	8		0	15	
	D9809PIC	0	CNTRAST			165	165		0	255
1		SCON			32	32		0	127	
2		BRT			220	220		0	255	
3		SBRT			192	192		0	255	
4		RGAIN			128	128		0	255	
5		GGAIN			128	128		0	255	
6		BGAIN			128	128		0	255	
7		RBIAS			0	0		0	255	
8		GBIAS			0	0		0	255	
9		BBIAS			0	0		0	255	
10		USC_ON			1	1		0	1	
11		BLK_LEF		pawn_pic3_normal		0	0		0	2047
				pawn_pic3_wide		0	0		0	2047
12		BLK_RGT		pawn_pic3_normal		0	0		0	2047
				pawn_pic3_wide		0	0		0	2047
13		BLK_TOP				0	0		0	2047
14		BLK_BTM				0	0		0	2047
15	BLK_LVL				0	0		0	63	
16	INBLKON				0	0		0	1	
17	OBLK_ON				0	0		0	1	

2-7. ID MAP TABLE

Model	ID-0	ID-1	ID-2	ID-3	ID-4	ID-5	ID-6	ID-7	ID-8
KDF-55XS955	21	1	239	107	0	99	54	31	10
KDF-60XS955	21	1	239	107	0	99	54	31	10

SECTION 3: DIAGRAMS

3-1. CIRCUIT BOARDS LOCATION



3-2. PRINTED WIRING BOARDS AND SCHEMATIC DIAGRAMS INFORMATION

All capacitors are in μF unless otherwise noted. pF : μF 50WV or less are not indicated except for electrolytics and tantalums.

All electrolytics are in 50V unless otherwise specified.

All resistors are in ohms. $\text{k}\Omega=1000\Omega$, $\text{M}\Omega=1000\text{k}\Omega$

Indication of resistance, which does not have one for rating electrical power, is as follows: Pitch : 5mm

Rating electrical power : $\frac{1}{4}$ W

$\frac{1}{4}$ W in resistance, $\frac{1}{10}$ W and $\frac{1}{16}$ W in chip resistance.

: nonflammable resistor

: fusible resistor

: internal component

: panel designation and adjustment for repair

: earth ground

: earth-chassis

All variable and adjustable resistors have characteristic curve B, unless otherwise noted.

Readings are taken with a color-bar signal input.

Readings are taken with a $10\text{M}\Omega$ digital multimeter.

Voltages are DC with respect to ground unless otherwise noted.

Voltage variations may be noted due to normal production tolerances.

All voltages are in V.

S : Measurement impossibility.

: B+line.

: B-line. (Actual measured value may be different).

: signal path. (RF)

Circled numbers are waveform references.

The components identified by shading and are critical for safety. Replace only with part number specified.

The symbol indicates a fast operating fuse and is displayed on the component side of the board. Replace only with fuse of the same rating as marked.

Les composants identifiés par un trame et une marque sont critiques pour la sécurité. Ne les remplacer que par une pièce portant le numéro spécifié.

Le symbole indique une fusible à action rapide. Doit être remplacé par une fusible de même valeur, comme marqué.

REFERENCE INFORMATION

RESISTOR

- : RN METAL FILM
- : RC SOLID
- : FPRD NONFLAMMABLE CARBON
- : FUSE NONFLAMMABLE FUSIBLE
- : RW NONFLAMMABLE WIREWOUND
- : RS NONFLAMMABLE METAL OXIDE
- : RB NONFLAMMABLE CEMENT
- : ※ ADJUSTMENT RESISTOR

COIL

- : LF-8L MICRO INDUCTOR

CAPACITOR

- : TA TANTALUM
- : PS STYROL
- : PP POLYPROPYLENE
- : PT MYLAR
- : MPS METALIZED POLYESTER
- : MPP METALIZED POLYPROPYLENE
- : ALB BIPOLAR
- : ALT HIGH TEMPERATURE
- : ALR HIGH RIPPLE

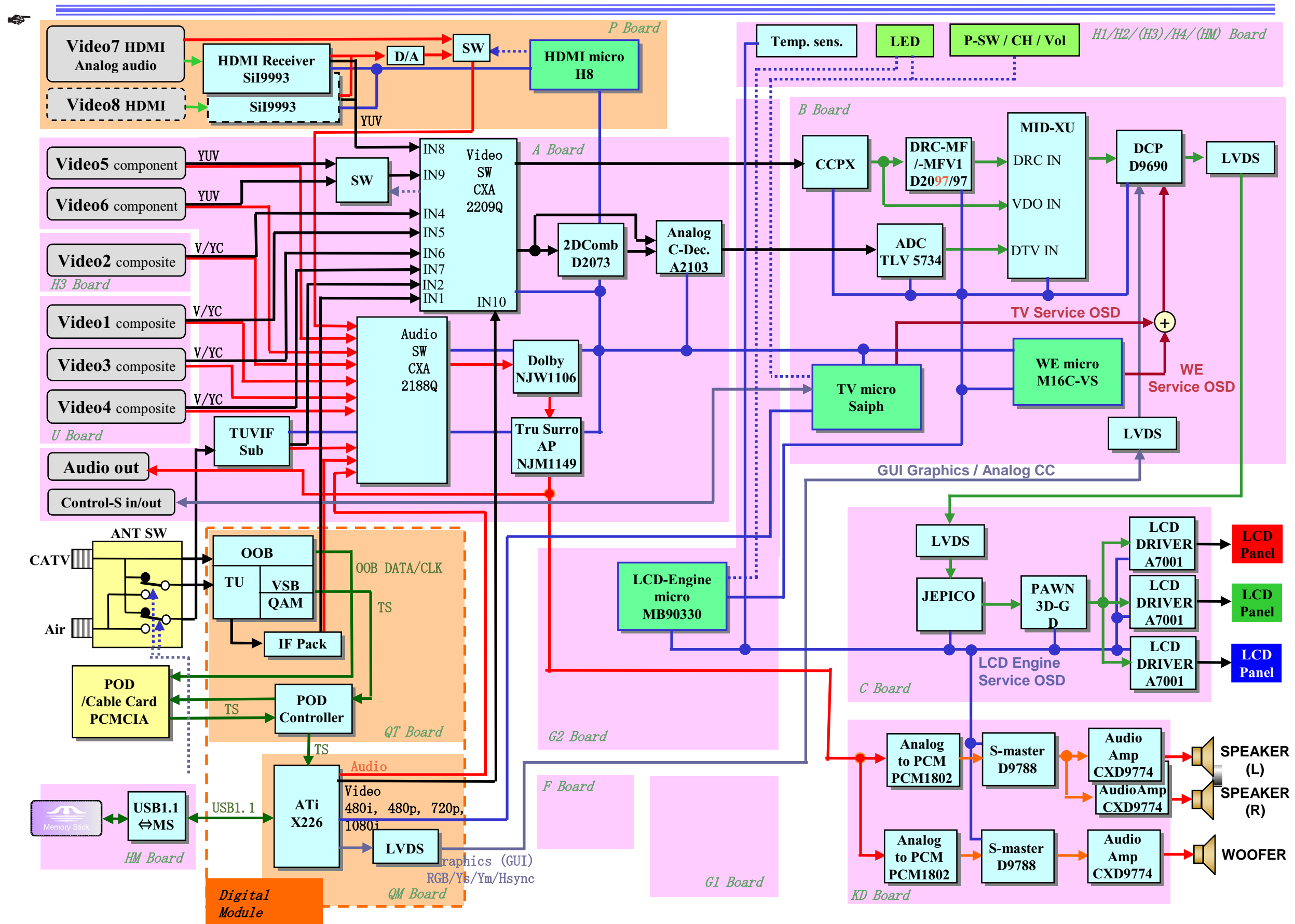
Terminal name of semiconductors in silk screen printed circuit (※)

	Device	Printed symbol	Terminal name	Circuit
①	Transistor		Collector Base Emitter	
②	Transistor		Collector Base Emitter	
③	Diode		Cathode Anode	
④	Diode		Cathode Anode (NC)	
⑤	Diode		Cathode Anode (NC)	
⑥	Diode		Common Anode Cathode	
⑦	Diode		Common Anode Cathode	
⑧	Diode		Common Anode Anode	
⑨	Diode		Common Anode Anode	
⑩	Diode		Common Cathode Cathode	
⑪	Diode		Common Cathode Cathode	
⑫	Diode		Anode Anode Cathode Cathode	
⑬	Transistor (FET)		Drain Source Gate	
⑭	Transistor (FET)		Drain Source Gate	
⑮	Transistor (FET)		Source Drain Gate	
⑯	Transistor		Emitter Collector Base	
⑰	Transistor		C2 B1 E1 E2 B2 C1	
⑱	Transistor		C1 B2 E2 E1 B1 C2	
⑲	Transistor		C1 B2 E2 E1 B1 C2	
⑳	Transistor		C1 B2 E2 E1 B1 C2	
㉑	Transistor		E2 B1 E1 C2 C1(B2)	
㉒	Transistor		(B2) B1 E1 E2 C1 C2	
㉓	Transistor		(B2) E2 E1 B1 C2 C1	
—	Discrete semiconductor			

(Chip semiconductors that are not actually used are included.)

Ver.1.5

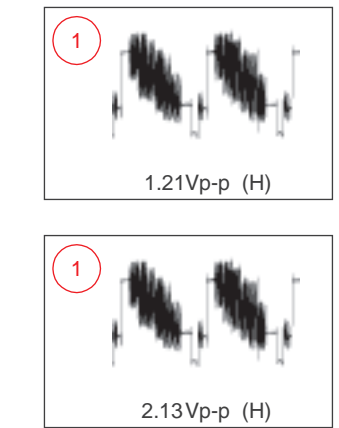
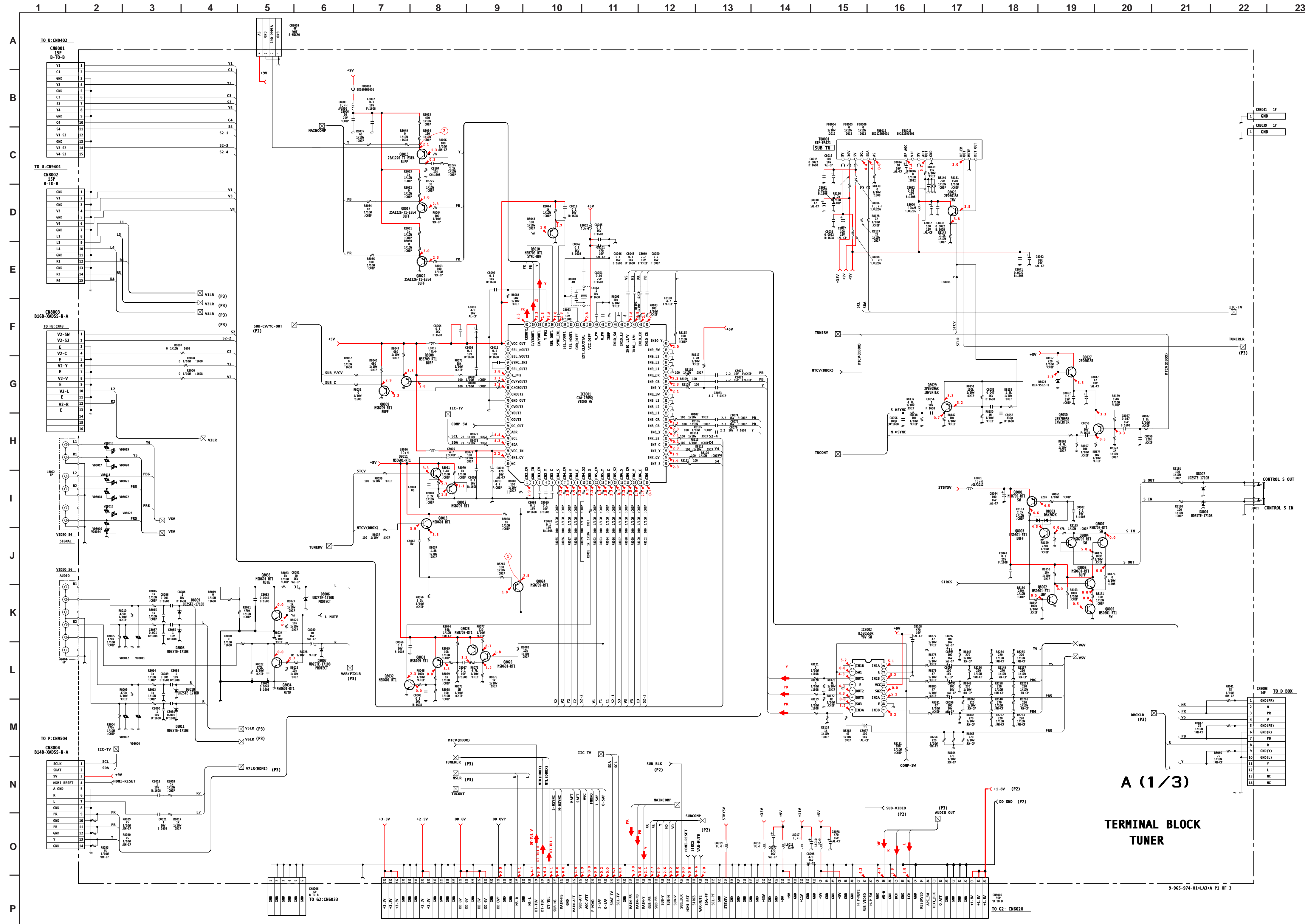
3-3. BLOCK DIAGRAMS



3-4. SCHEMATICS AND SUPPORTING INFORMATION

A BOARD SCHEMATIC DIAGRAM (1 OF 3)

A BOARD WAVEFORMS



A (1/3)

TERMINAL BLOCK
TUNER

9-965-974-01(LA3)A P1 OF 3

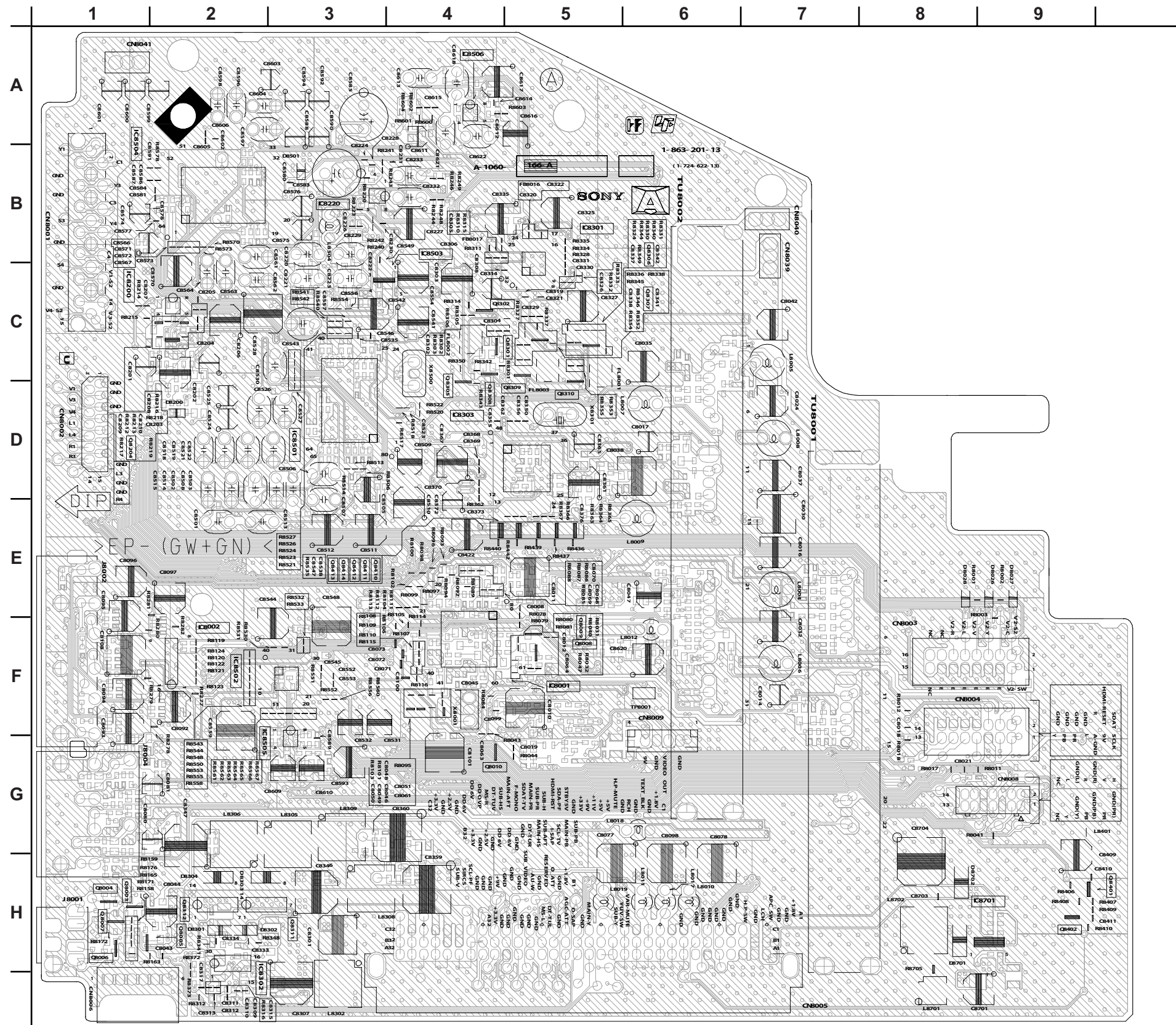


[TERMINAL BLOCK, TUNER, Y/C POWER, SUB COMB/ENCODER, AUDIO]

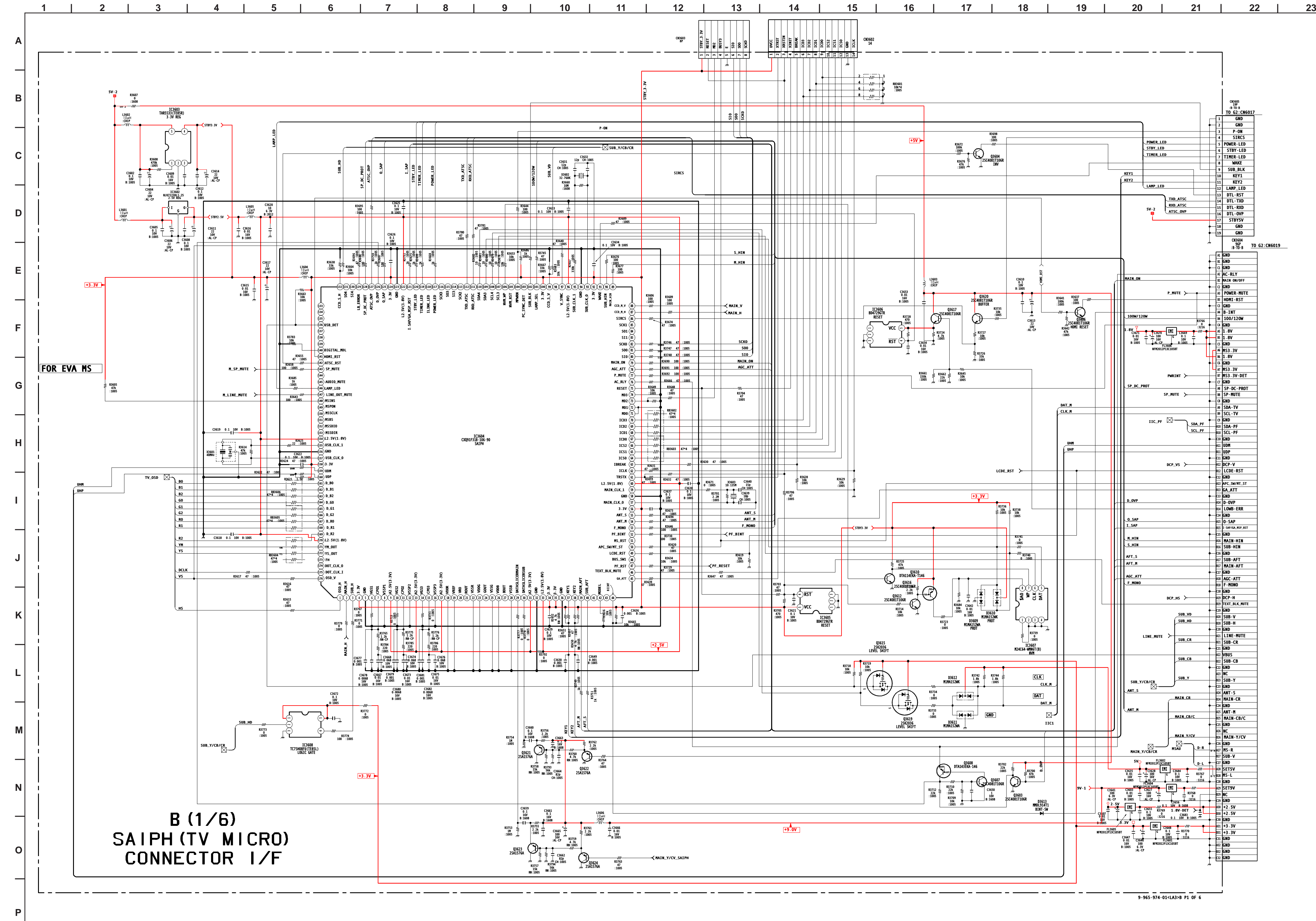
COMPONENT SIDE

A BOARD LOCATOR LIST COMPONENT SIDE

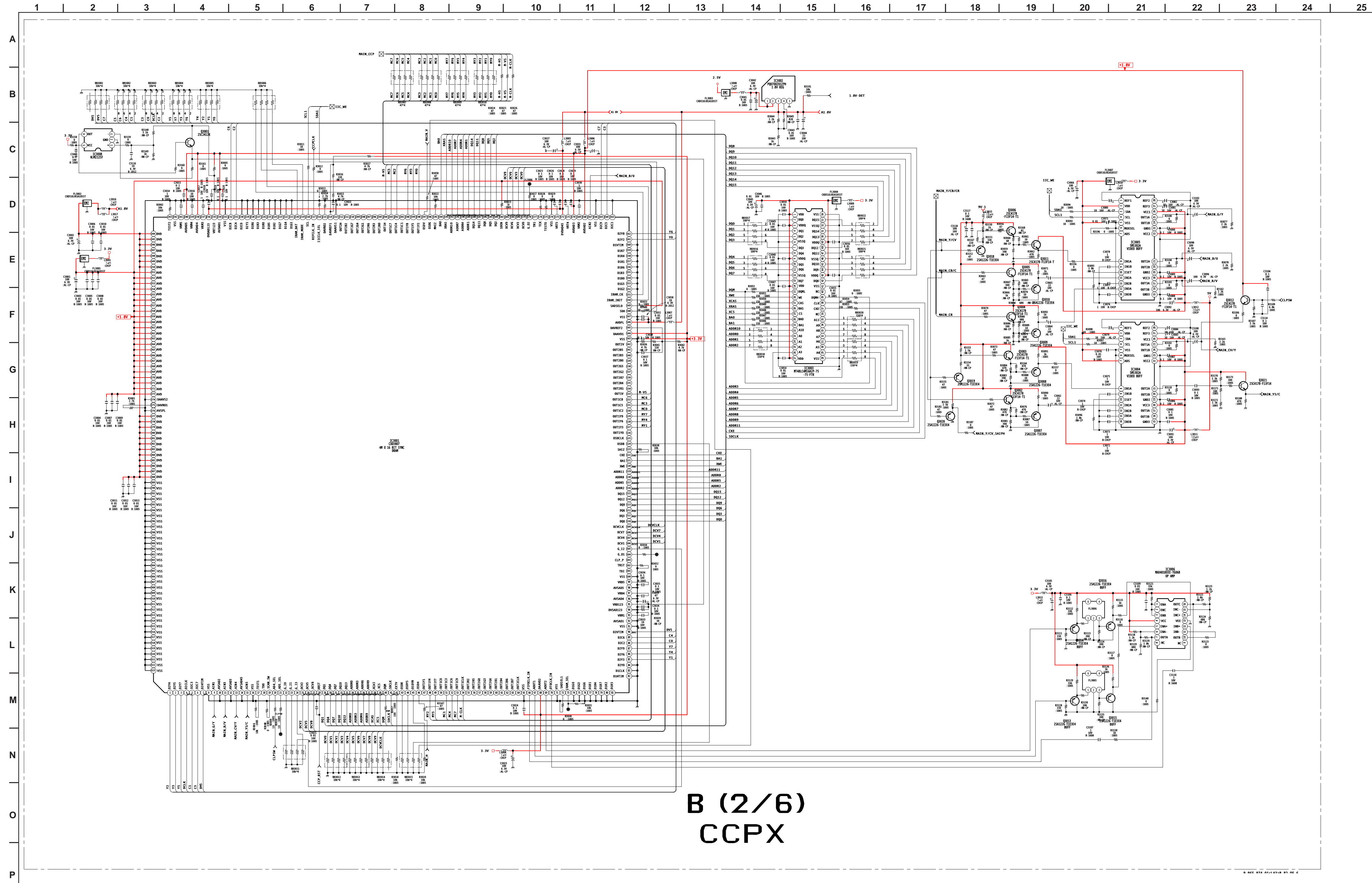
DIODE		IC		TRANSISTOR	
D8200	D-2	IC8001	F-5	Q8003	H-1
D8301	H-2	IC8002	F-2	Q8004	H-1
D8302	H-3	IC8200	C-1	Q8005	H-2
D8501	B-3	IC8220	B-3	Q8006	H-1
D8701	H-8	IC8301	B-5	Q8007	H-1
D8702	H-9	IC8302	H-2	Q8008	F-5
		IC8303	D-4	Q8009	F-5
		IC8501	D-3	Q8010	G-4
		IC8502	F-2	Q8204	D-1
		IC8503	C-4	Q8301	C-4
		IC8504	B-1	Q8302	C-5
		IC8505	G-3	Q8305	C-4
		IC8506	A-4	Q8306	C-6
				Q8307	C-6
				Q8308	D-4
				Q8309	D-4
				Q8310	D-5
				Q8311	H-3
				Q8312	H-2
				Q8401	H-9
				Q8402	H-9
				Q8410	E-3
				Q8411	E-3
				Q8412	E-3
				Q8413	E-3
				Q8414	E-3



B BOARD SCHEMATIC DIAGRAM (1 OF 6)

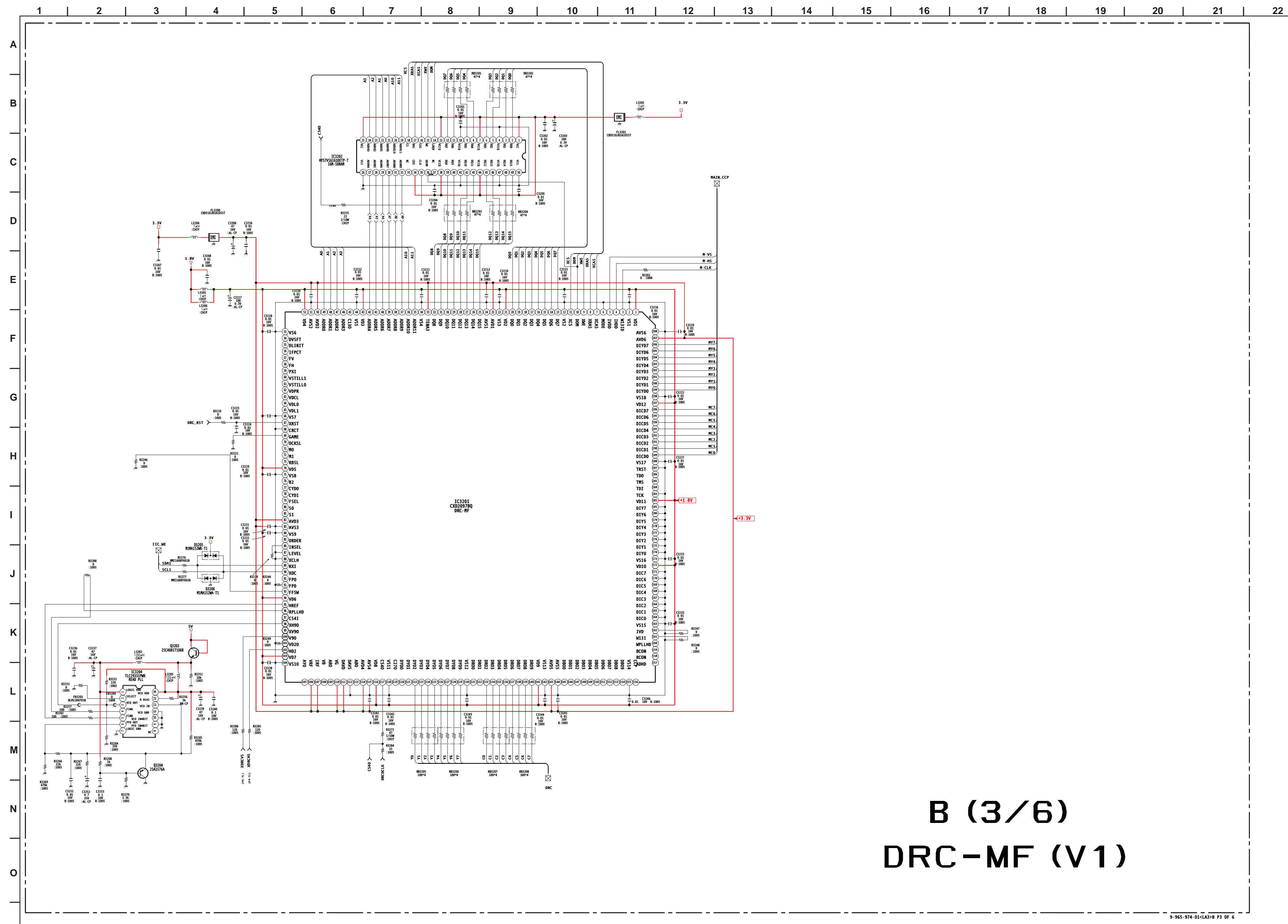


B BOARD SCHEMATIC DIAGRAM (2 OF 6)



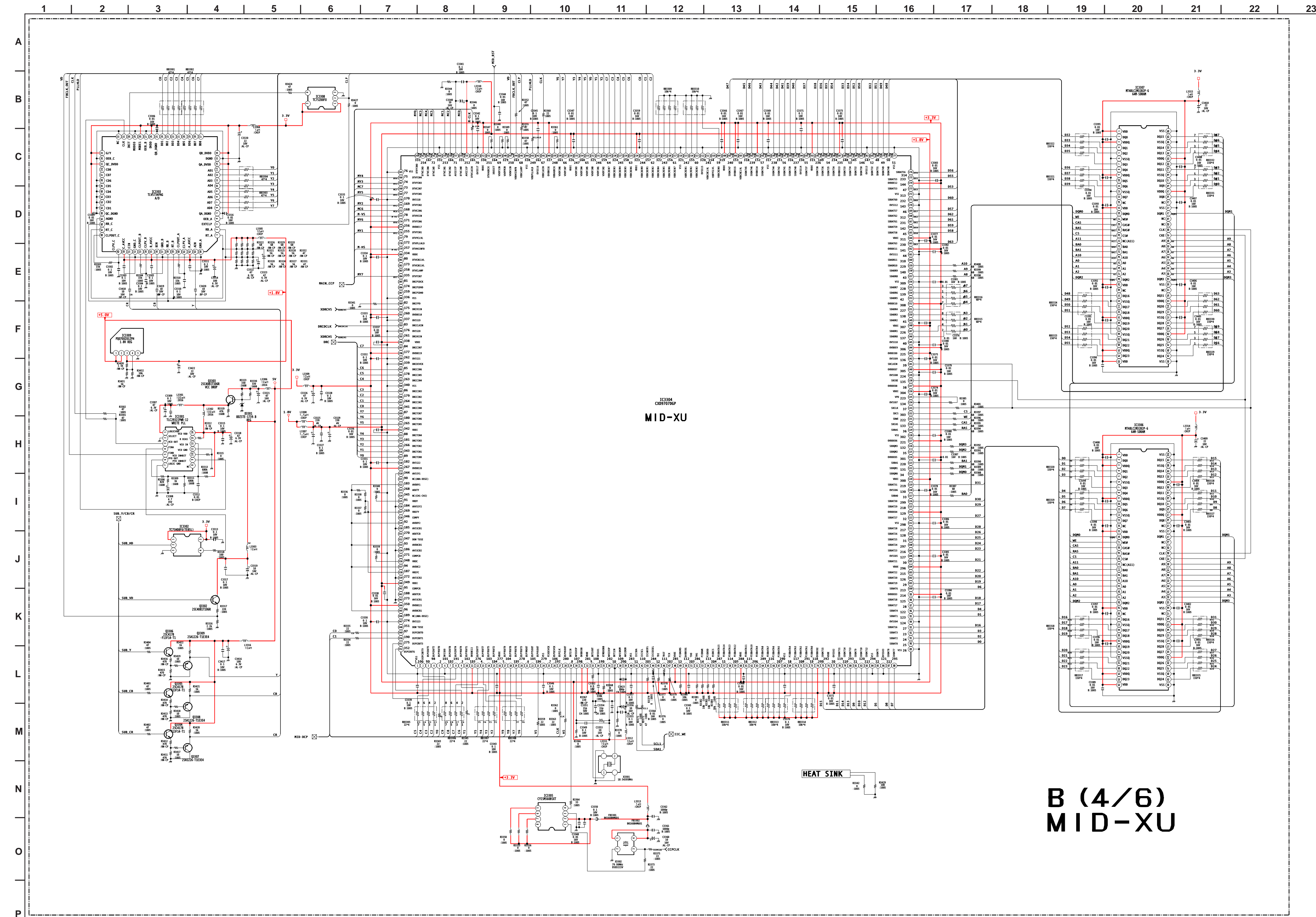
B (2/6)
CCPX

B BOARD SCHEMATIC DIAGRAM (3 OF 6)



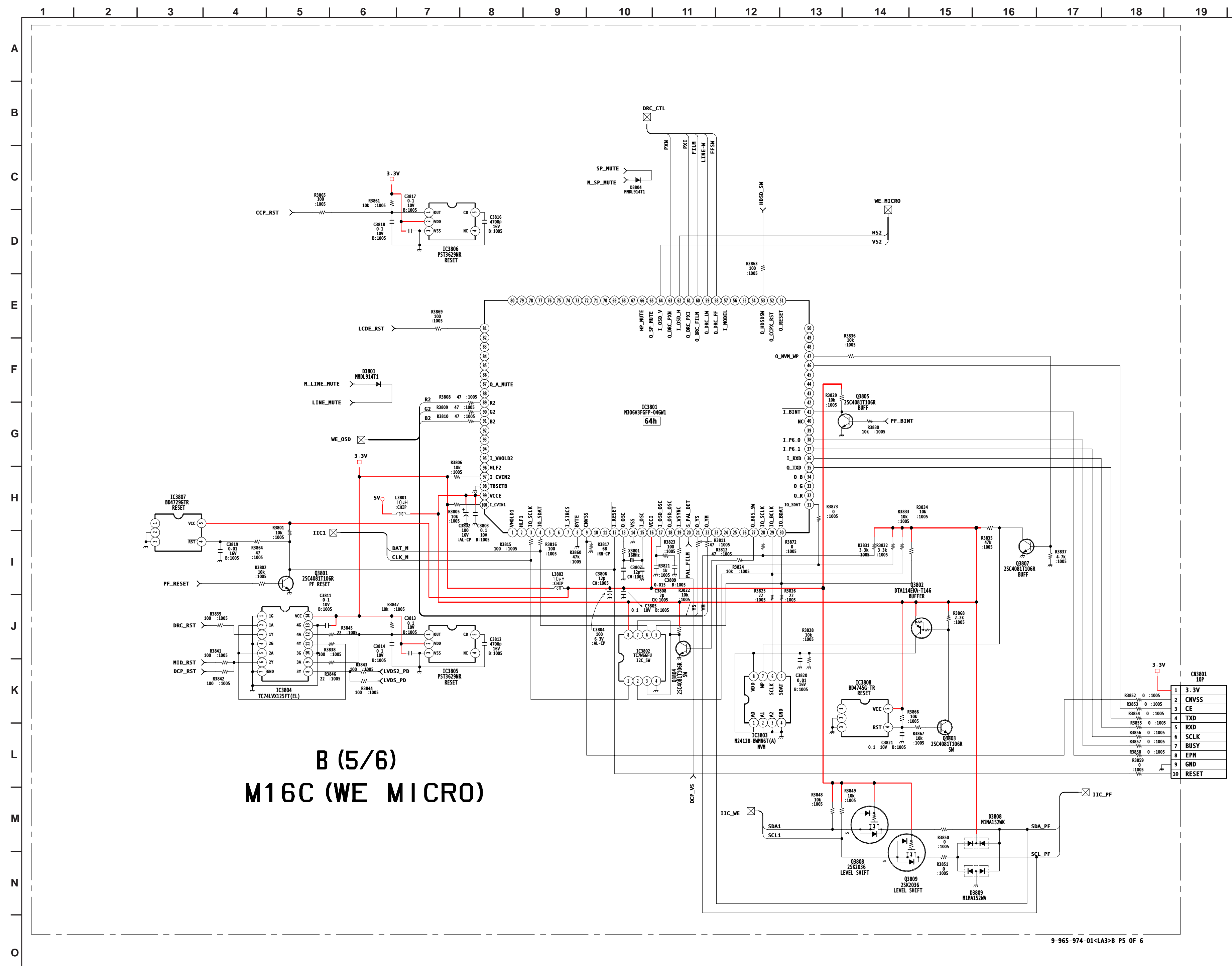
B (3/6)
DRC-MF (V1)

B BOARD SCHEMATIC DIAGRAM (4 OF 6)



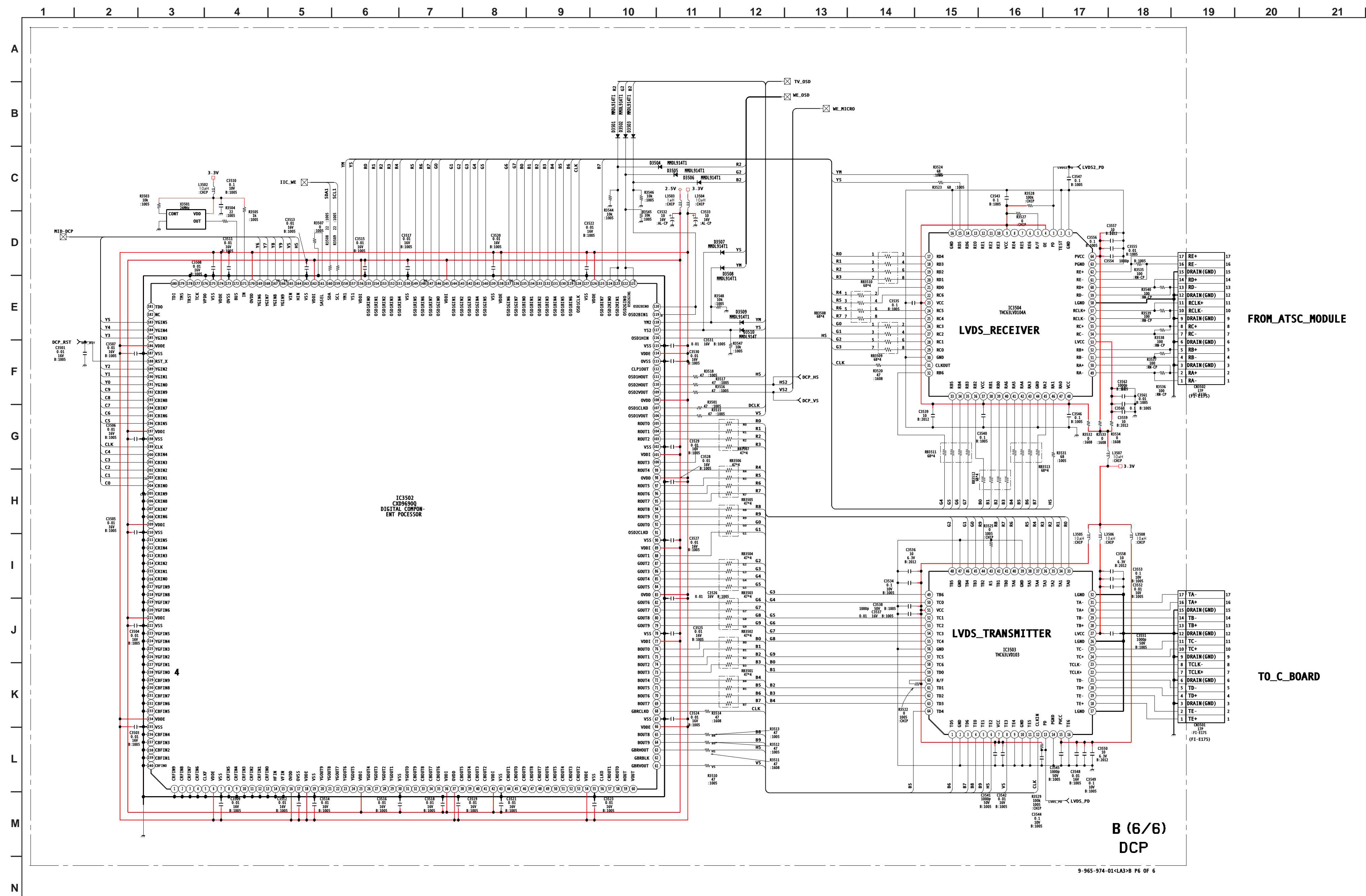
B (4/6)
MID-XU

B BOARD SCHEMATIC DIAGRAM (5 OF 6)



9-965-974-01<LA3>B P5 OF 6

B BOARD SCHEMATIC DIAGRAM (6 OF 6)



FROM_ATSC_MODULE

TO_C_BOARD

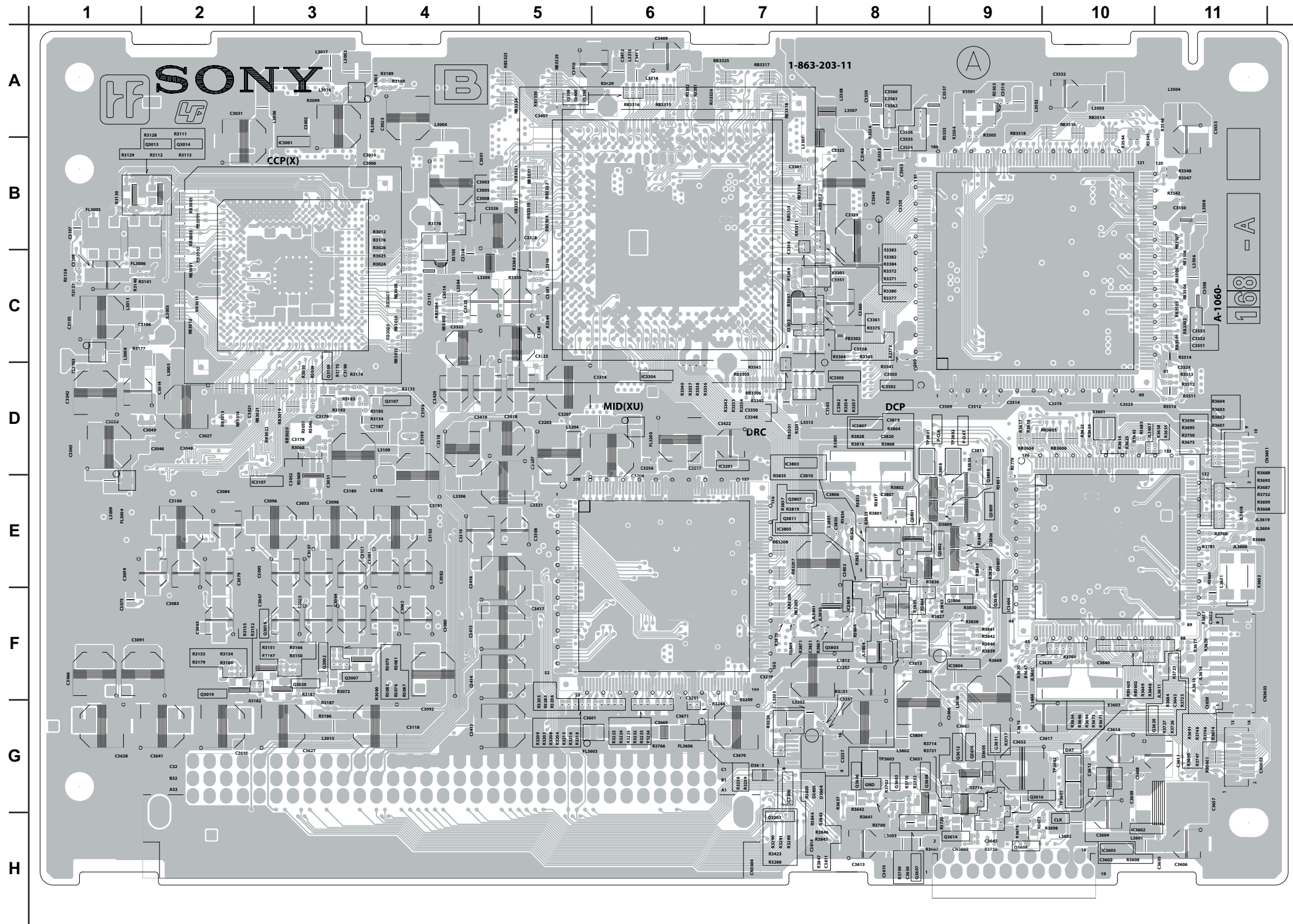
B (6/6)
DCP

9-965-974-01-1A3-B P6 OF 6

B

[SAIPH (TV MICRO) CONNECTOR I/F, CCPX, DRC-MF (V1), MID-XU, M16C (WE MICRO), DCP]

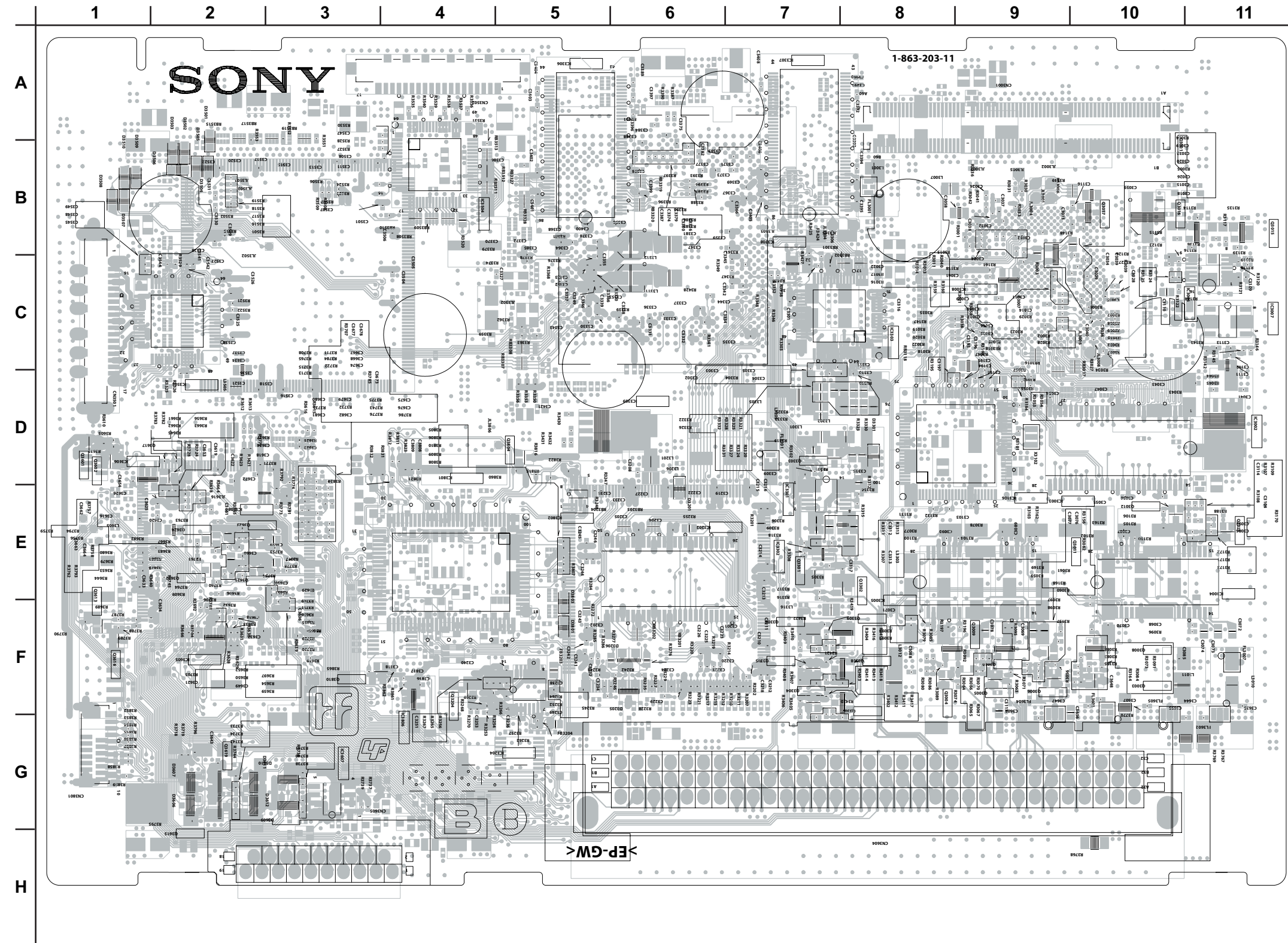
COMPONENT SIDE



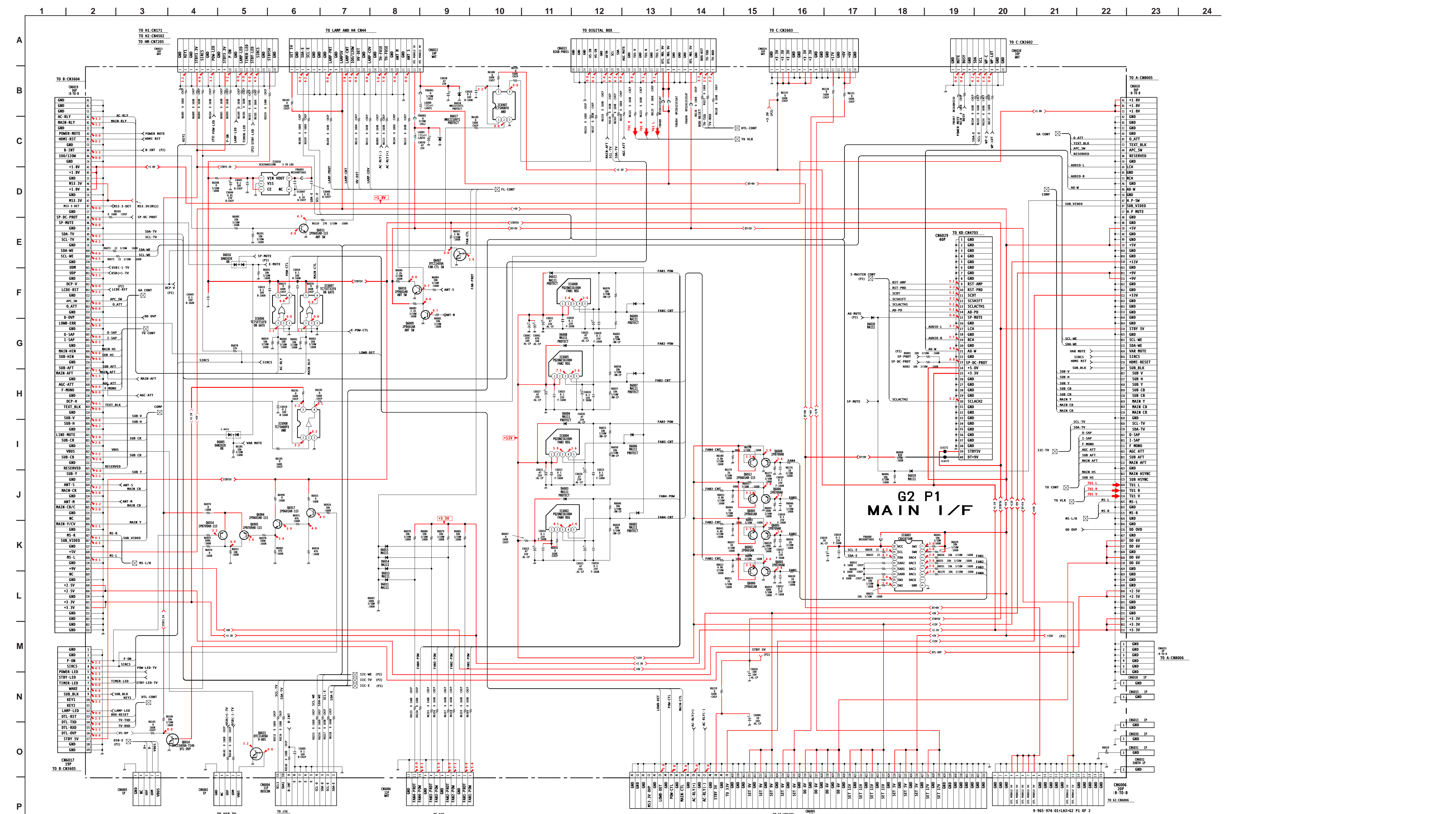
B

[SAIPH (TV MICRO) CONNECTOR I/F, CCPX, DRC-MF (V1), MID-XU, M16C (WE MICRO), DCP]

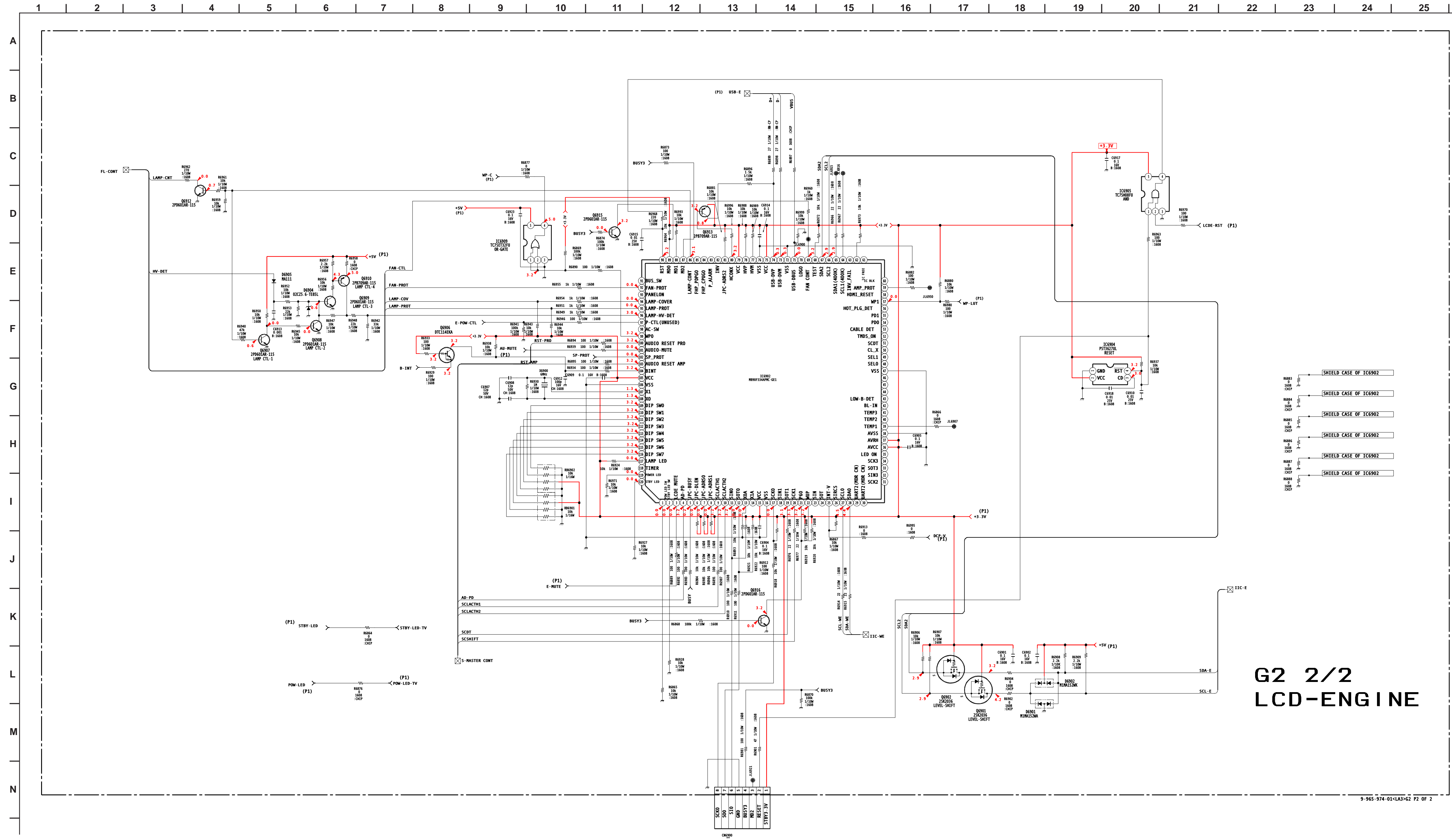
CONDUCTOR SIDE



G2 BOARD SCHEMATIC DIAGRAM (1 OF 2)



G2 BOARD SCHEMATIC DIAGRAM (2 OF 2)



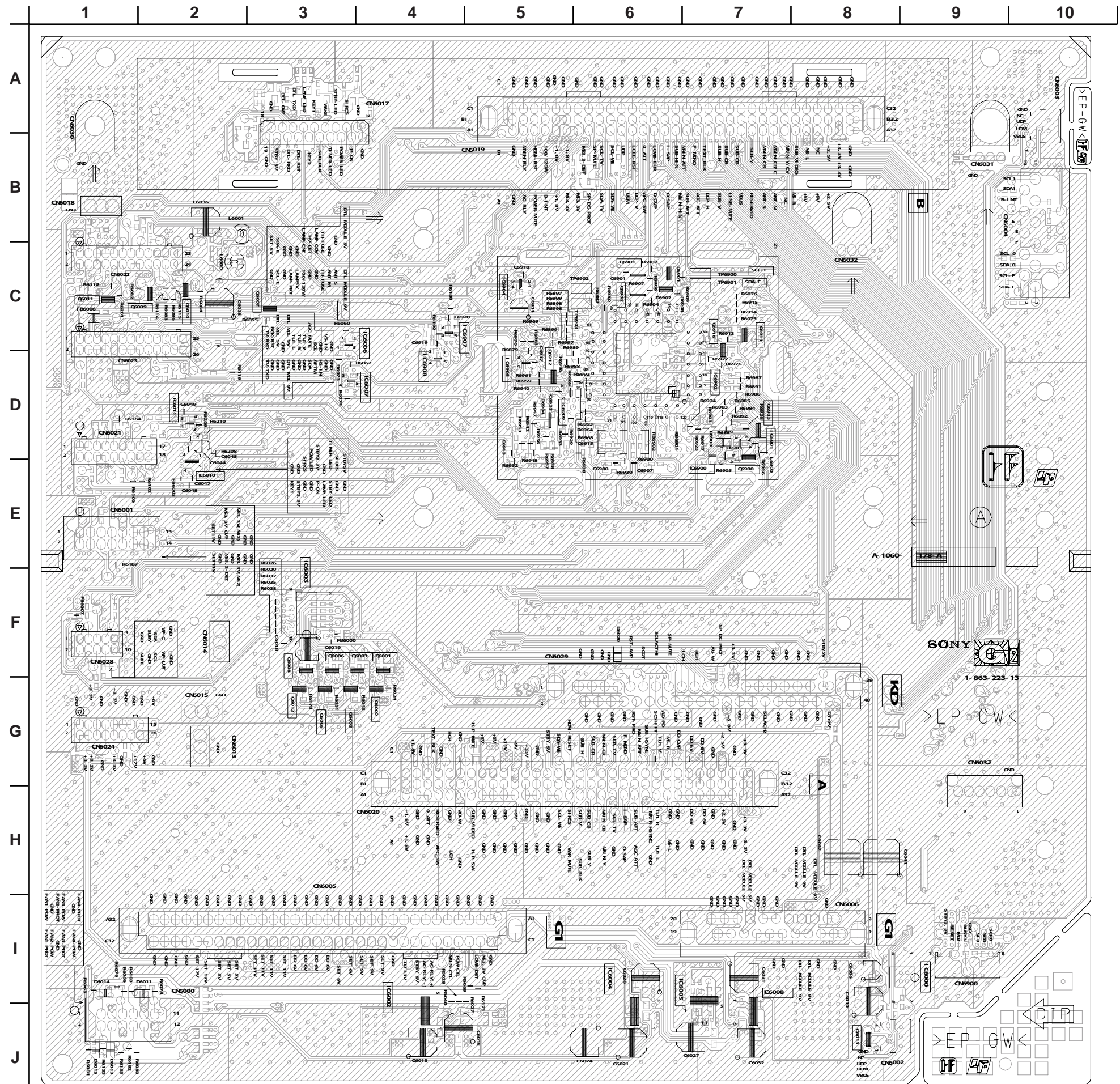
G2 2/2
LCD-ENGINE

9-965-974-01<LA3>G2 P2 OF 2

G2 [MAIN I/F, LCD-ENGINE]
COMPONENT SIDE

G2 BOARD LOCATOR LIST COMPONENT SIDE

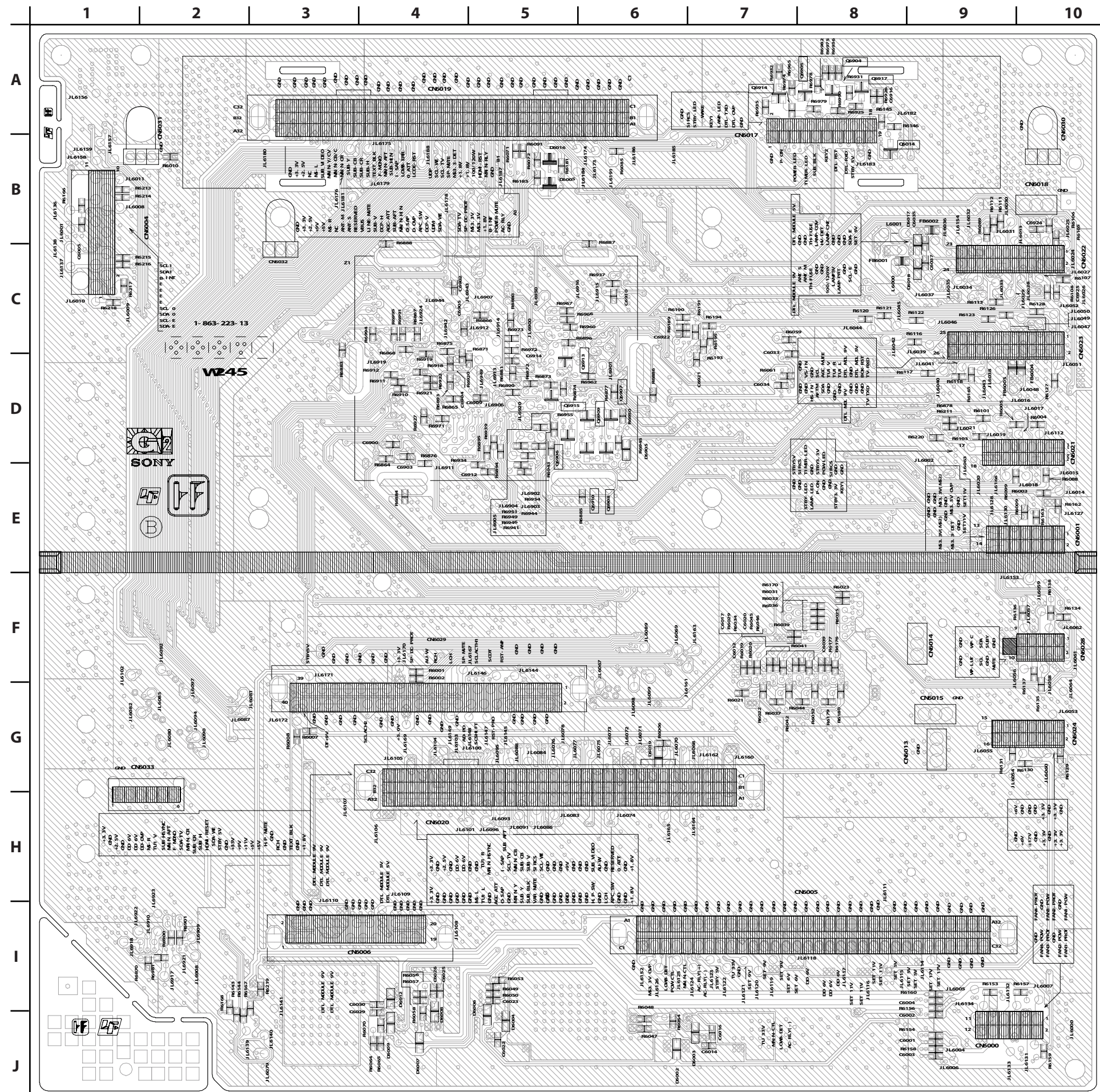
DIODE		IC		TRANSISTOR	
D6011	I-2	IC6002	I-4	Q6000	G-4
D6013	J-1	IC6003	F-3	Q6001	F-4
D6014	I-1	IC6004	I-6	Q6002	G-4
D6015	J-1	IC6005	I-7	Q6003	F-4
D6020	F-6	IC6006	C-4	Q6005	G-3
D6901	C-7	IC6007	D-4	Q6006	F-3
D6902	C-6	IC6008	I-7	Q6007	C-3
D6904	D-5	IC6010	E-2	Q6008	F-3
		IC6011	D-2	Q6009	C-2
		IC6902	D-7	Q6010	C-2
		IC6904	C-5	Q6011	C-11
		IC6905	D-5	Q6015	J-8
		IC6907	C-4	Q6901	C-6
		IC6908	D-4	Q6902	C-6
		IC6909	D-5	Q6912	D-5
				Q6916	C-7



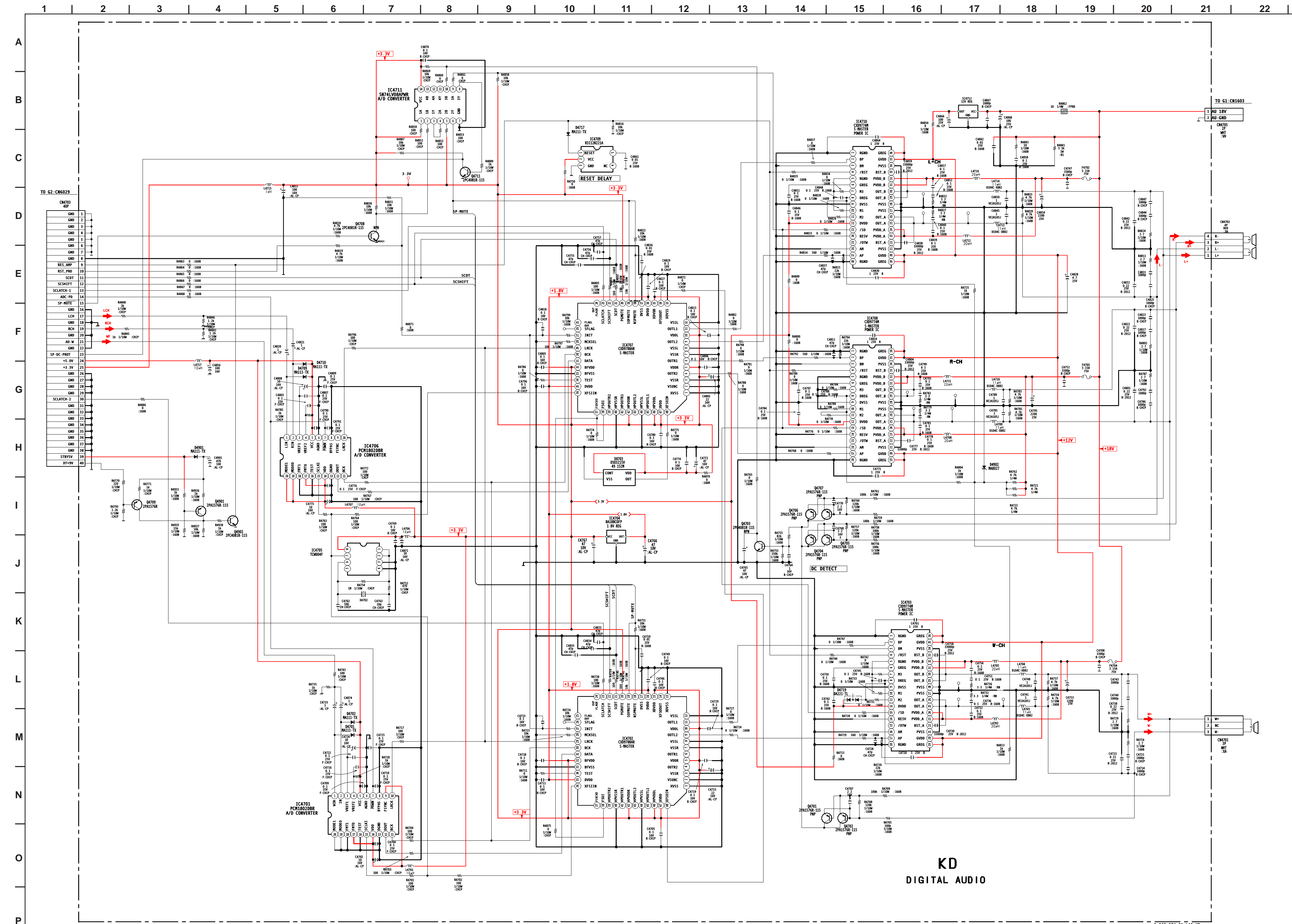
G2 [MAIN I/F, LCD-ENGINE]
CONDUCTOR SIDE

G2 BOARD LOCATOR LIST CONDUCTOR SIDE

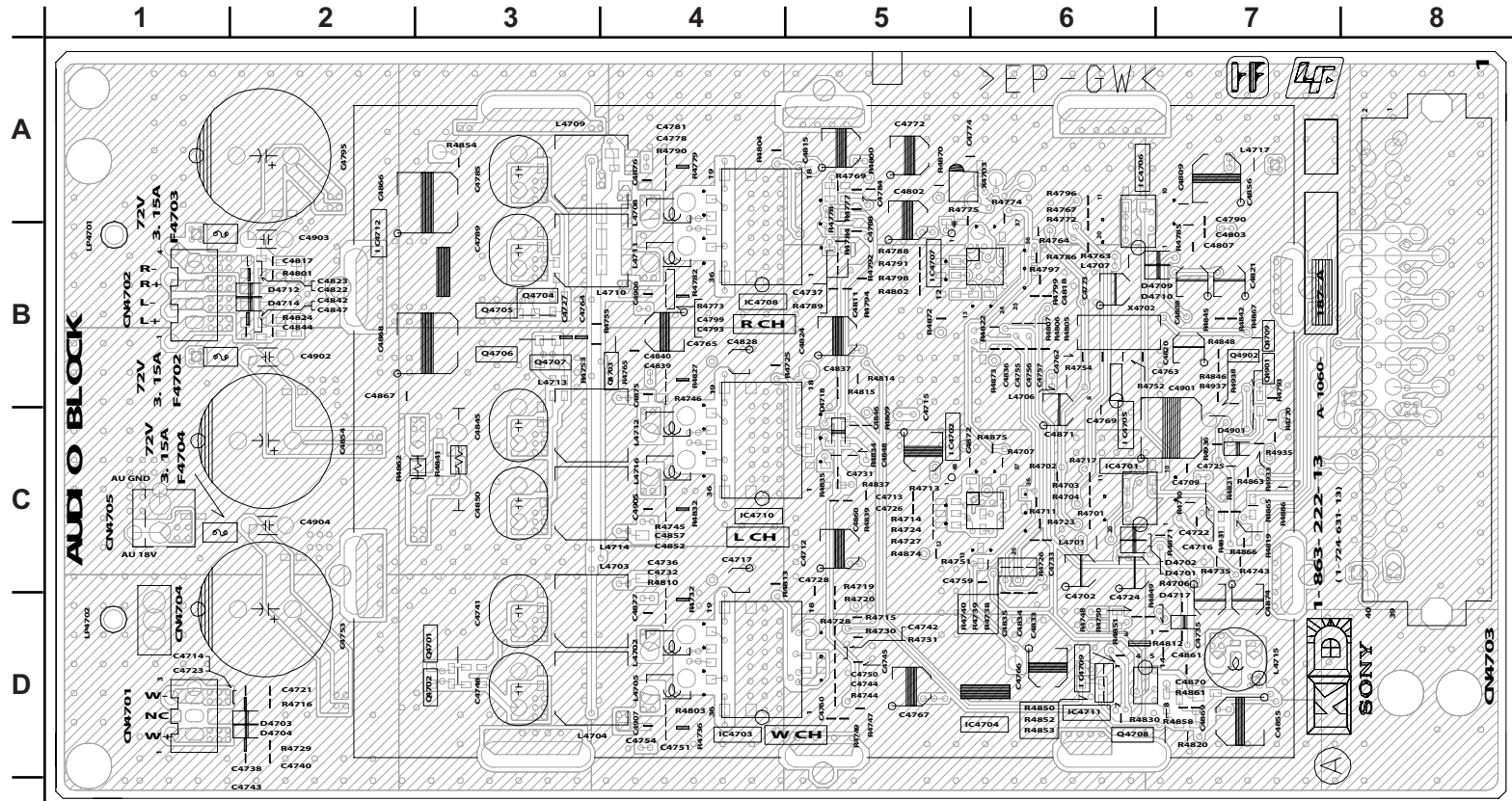
DIODE		TRANSISTOR	
D6002	J-6	Q6014	B-8
D6003	J-7	Q6904	A-8
D6004	J-5	Q6905	A-8
D6005	B-5	Q6906	E-5
D6006	J-5	Q6907	D-6
D6007	J-4	Q6908	E-6
D6008	J-4	Q6909	D-6
D6009	J-4	Q6910	E-6
D6012	I-4	Q6913	D-6
D6016	B-5	Q6914	A-7
D6017	B-9	Q6915	D-6
D6018	C-9	Q6917	A-8
D6019	G-6		
D6905	E-6		



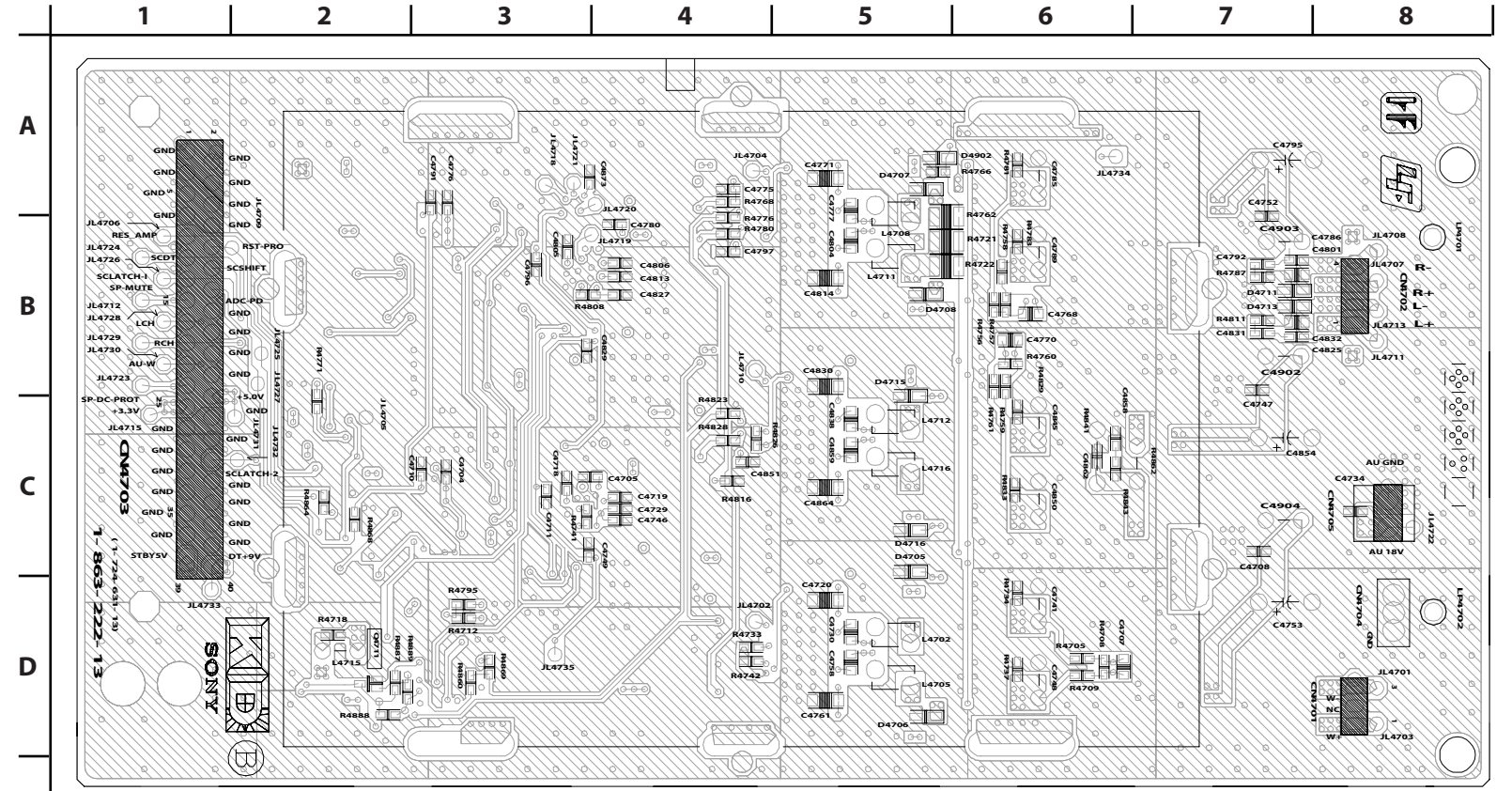
KD BOARD SCHEMATIC DIAGRAM



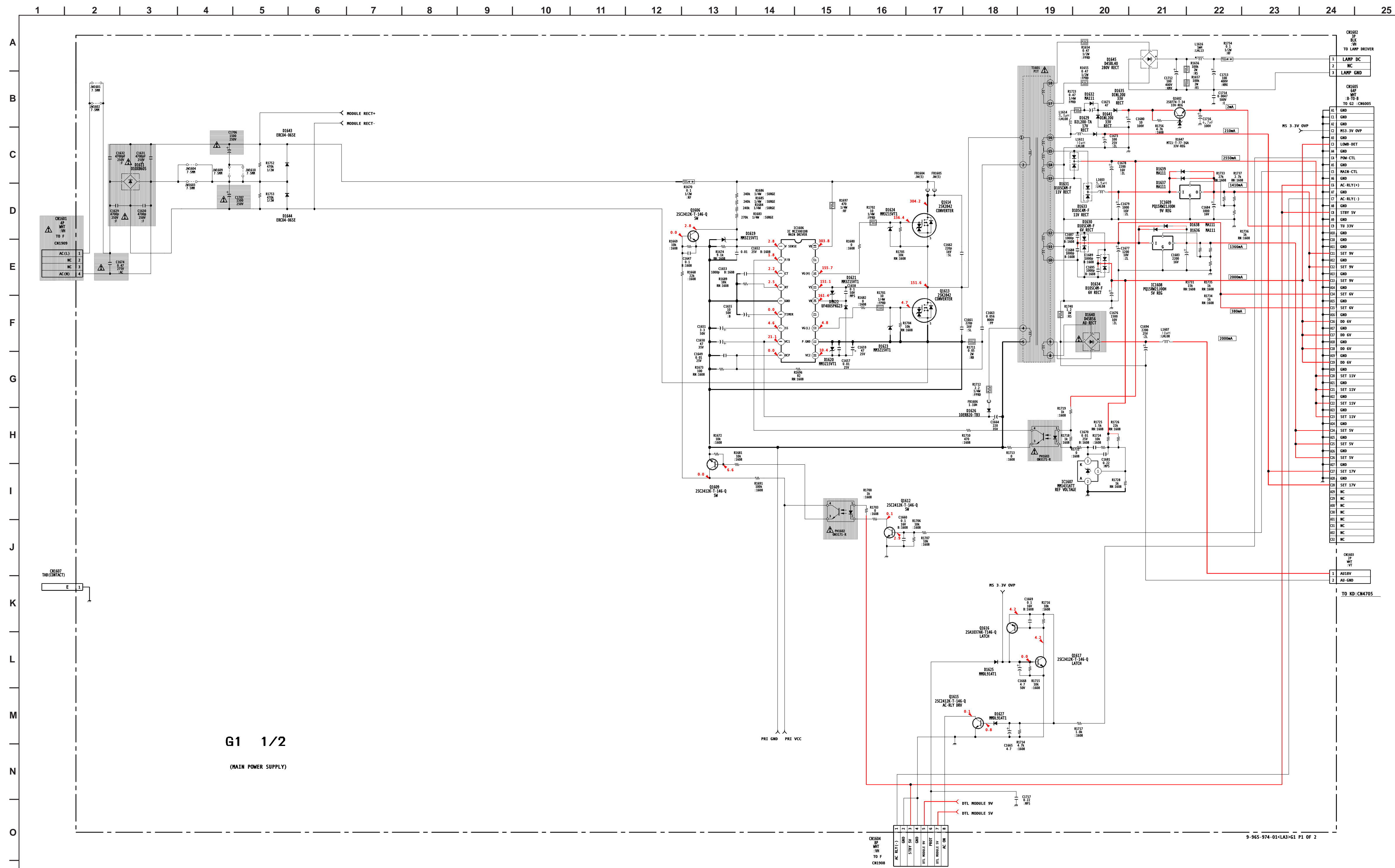
KD [DIGITAL AUDIO]
COMPONENT SIDE



KD [DIGITAL AUDIO]
CONDUCTOR SIDE



G1 BOARD SCHEMATIC DIAGRAM (1 OF 2)



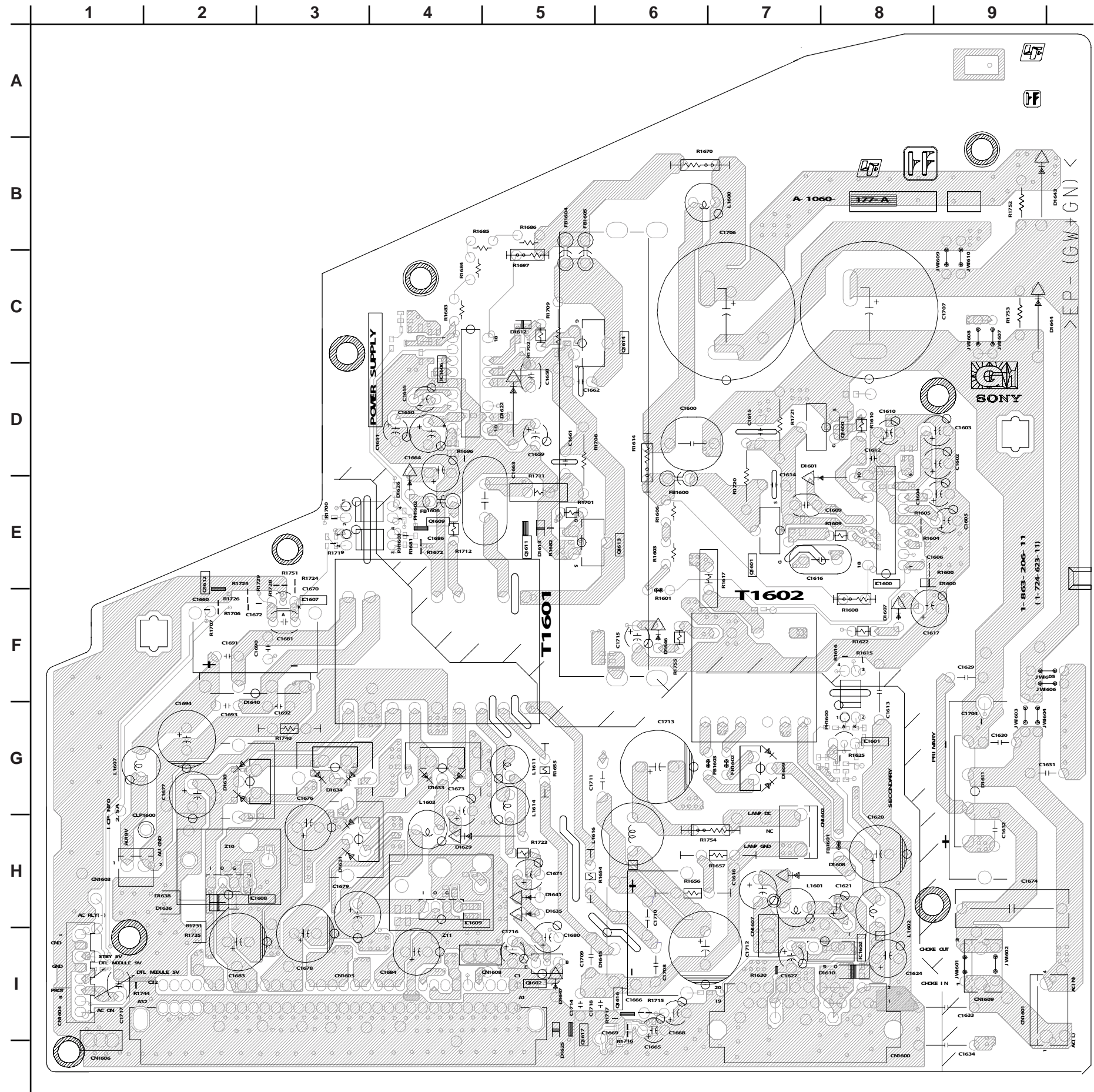
G1 1/2
(MAIN POWER SUPPLY)

9-965-974-01-CLAS-G1 P1 OF 2

G1 [MAIN POWER SUPPLY, DTL MODULE POWER]
COMPONENT SIDE

G1 BOARD LOCATOR LIST COMPONENT SIDE

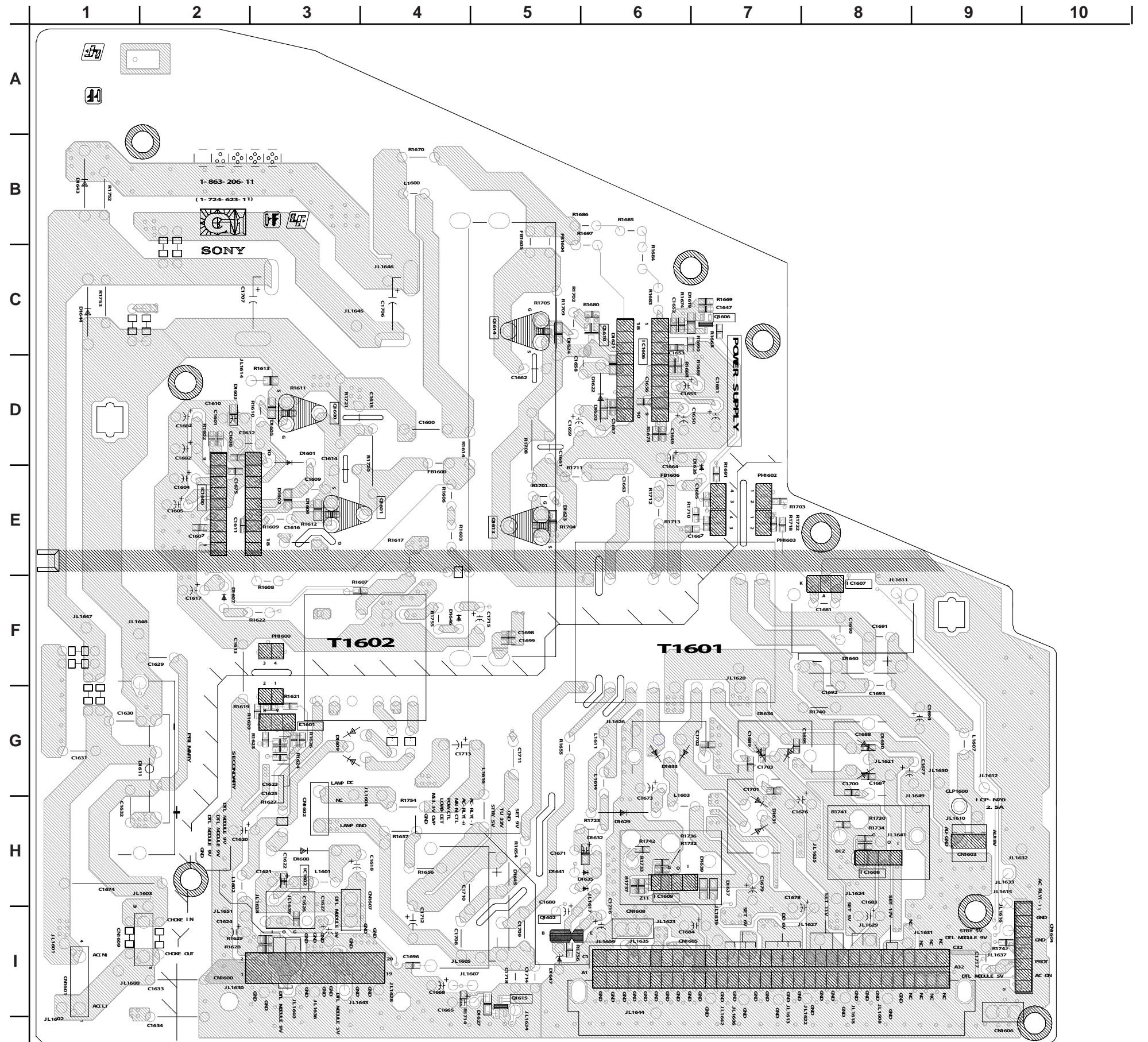
DIODE		IC		TRANSISTOR	
D1600	E-9	IC1600	E-8	Q1600	D-8
D1601	D-7	IC1601	G-8	Q1601	E-7
D1607	F-8	IC1602	I-8	Q1602	I-5
D1608	H-8	IC1606	D-4	Q1609	E-4
D1609	G-7	IC1607	F-3	Q1612	E-2
D1610	I-8	IC1608	H-3	Q1613	E-6
D1611	G-9	IC1609	H-5	Q1614	C-6
D1622	D-5			Q1616	I-6
D1625	I-5			Q1617	I-6
D1626	E-4				
D1629	H-5				
D1630	G-2				
D1631	H-3				
D1633	G-4				
D1634	G-3				
D1635	H-5				
D1636	H-2				
D1638	H-2				
D1640	G-2				
D1641	H-5				
D1643	B-9				
D1644	C-9				
D1645	I-6				
D1646	F-6				
D1647	I-5				



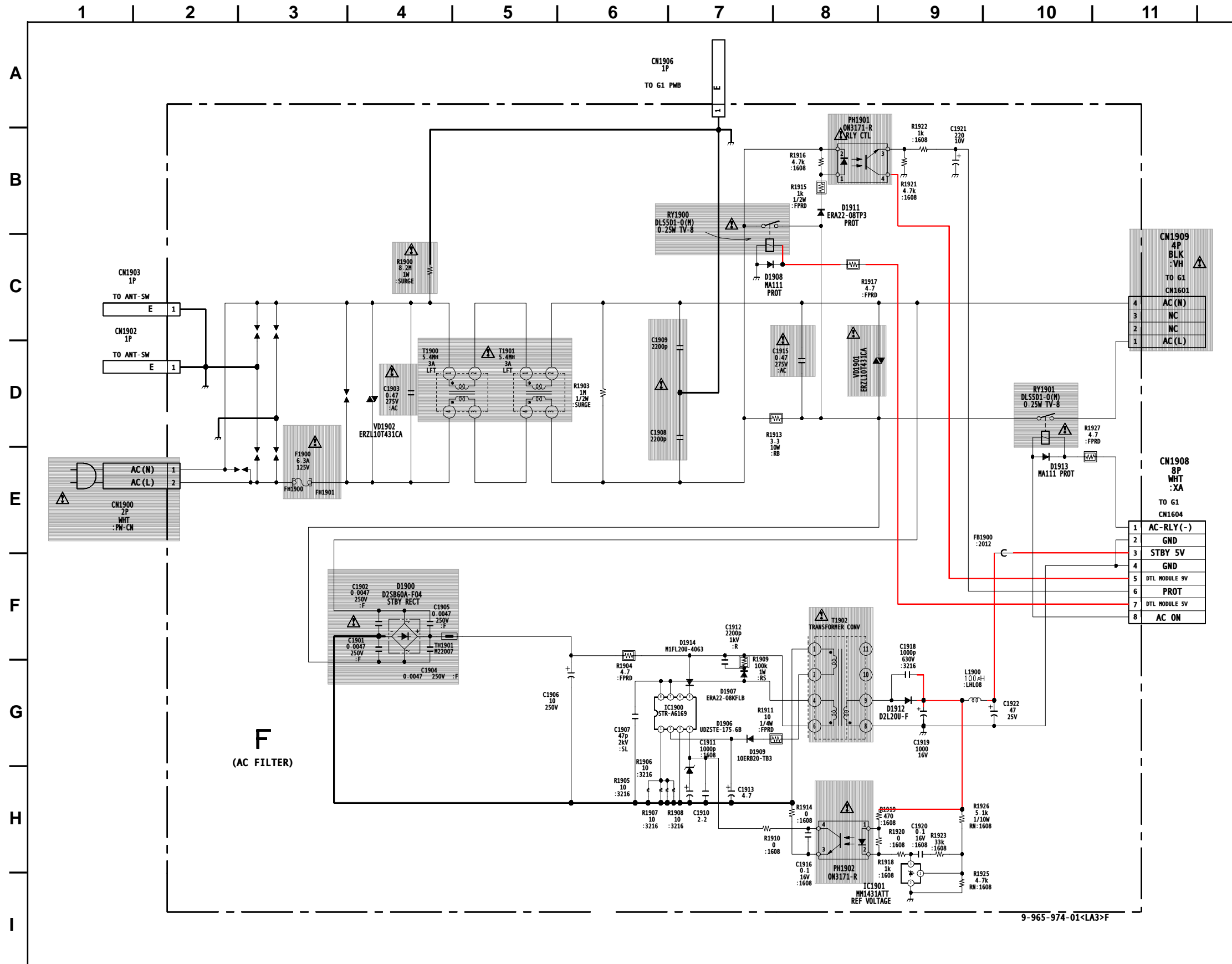
G1 [MAIN POWER SUPPLY, DTL MODULE POWER]
CONDUCTOR SIDE

G1 BOARD LOCATOR LIST CONDUCTOR SIDE

DIODE		IC		TRANSISTOR	
D1601	D-3	IC1600	E-2	Q1600	D-3
D1602	E-3	IC1601	G-3	Q1601	E-4
D1603	D-2	IC1602	H-3	Q1602	I-5
D1604	E-3	IC1606	C-7	Q1606	C-7
D1605	D-3	IC1607	H-7	Q1613	E-5
D1607	F-2	IC1608	H-7	Q1614	C-5
D1608	H-3	IC1609	H-6	Q1615	I-6
D1609	G-3				
D1611	G-2				
D1619	C-6				
D1620	D-6				
D1621	C-6				
D1622	D-6				
D1623	E-5				
D1624	C-5				
D1626	D-7				
D1627	I-5				
D1629	H-6				
D1630	G-8				
D1631	H-7				
D1632	H-6				
D1633	G-6				
D1634	G-7				
D1635	H-6				
D1637	H-7				
D1639	H-7				
D1640	H-8				
D1641	H-5				
D1643	B-1				
D1645	H-5				
D1646	F-4				
D1647	I-5				

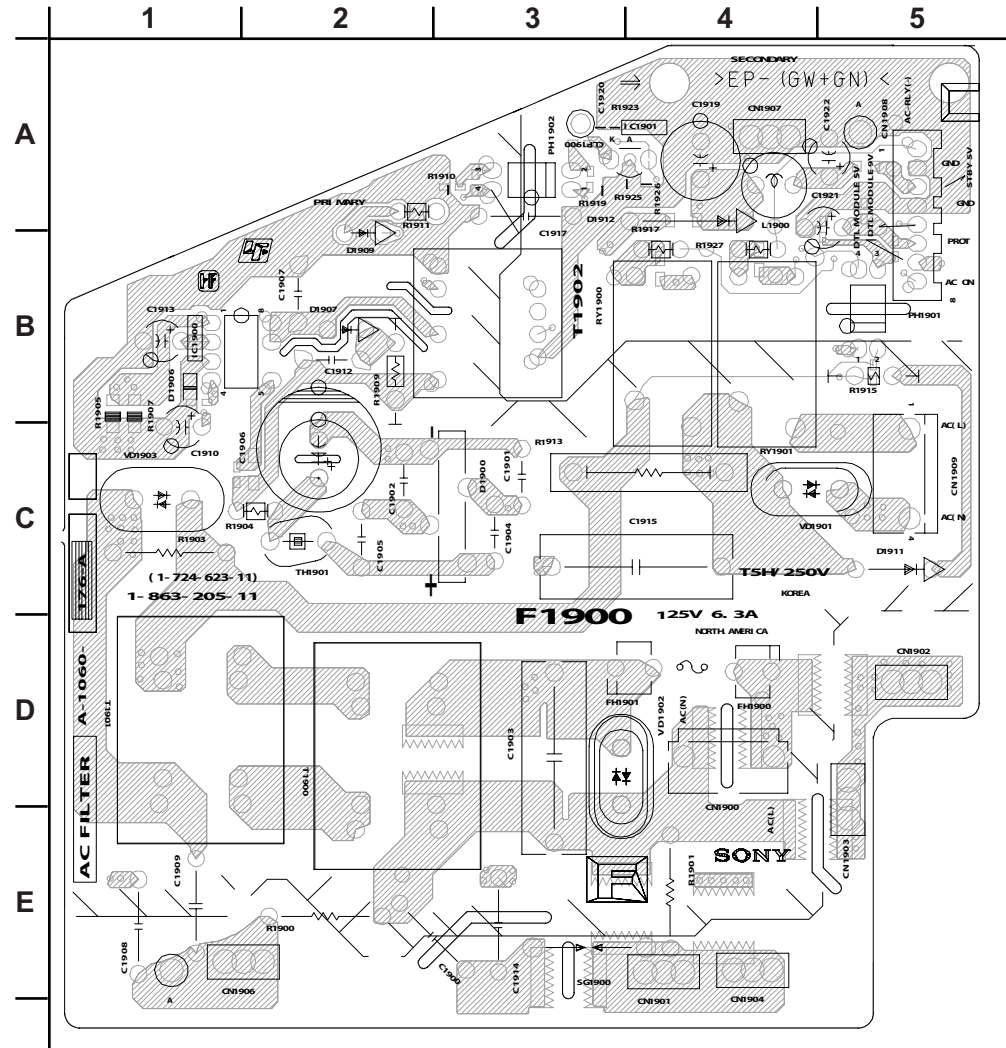


F BOARD SCHEMATIC DIAGRAM



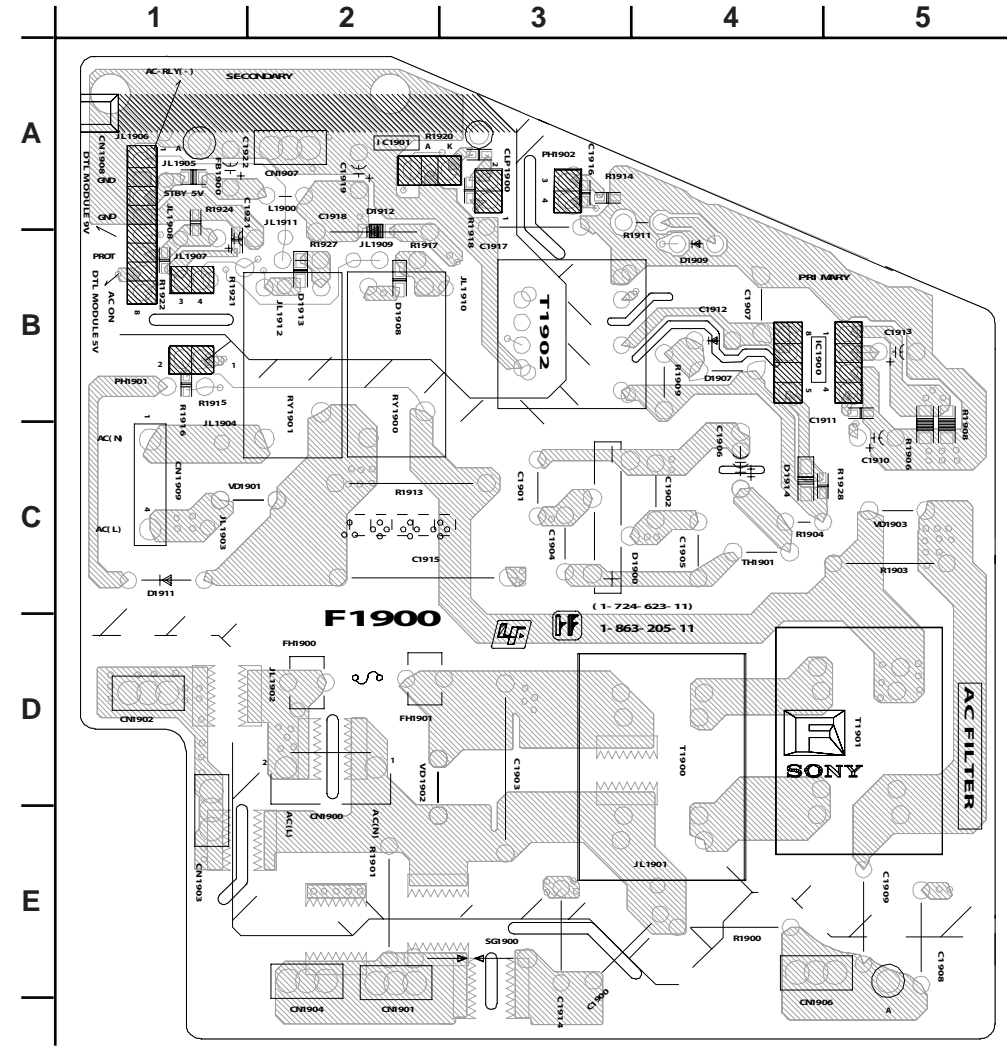
F [AC FILTER]

COMPONENT SIDE

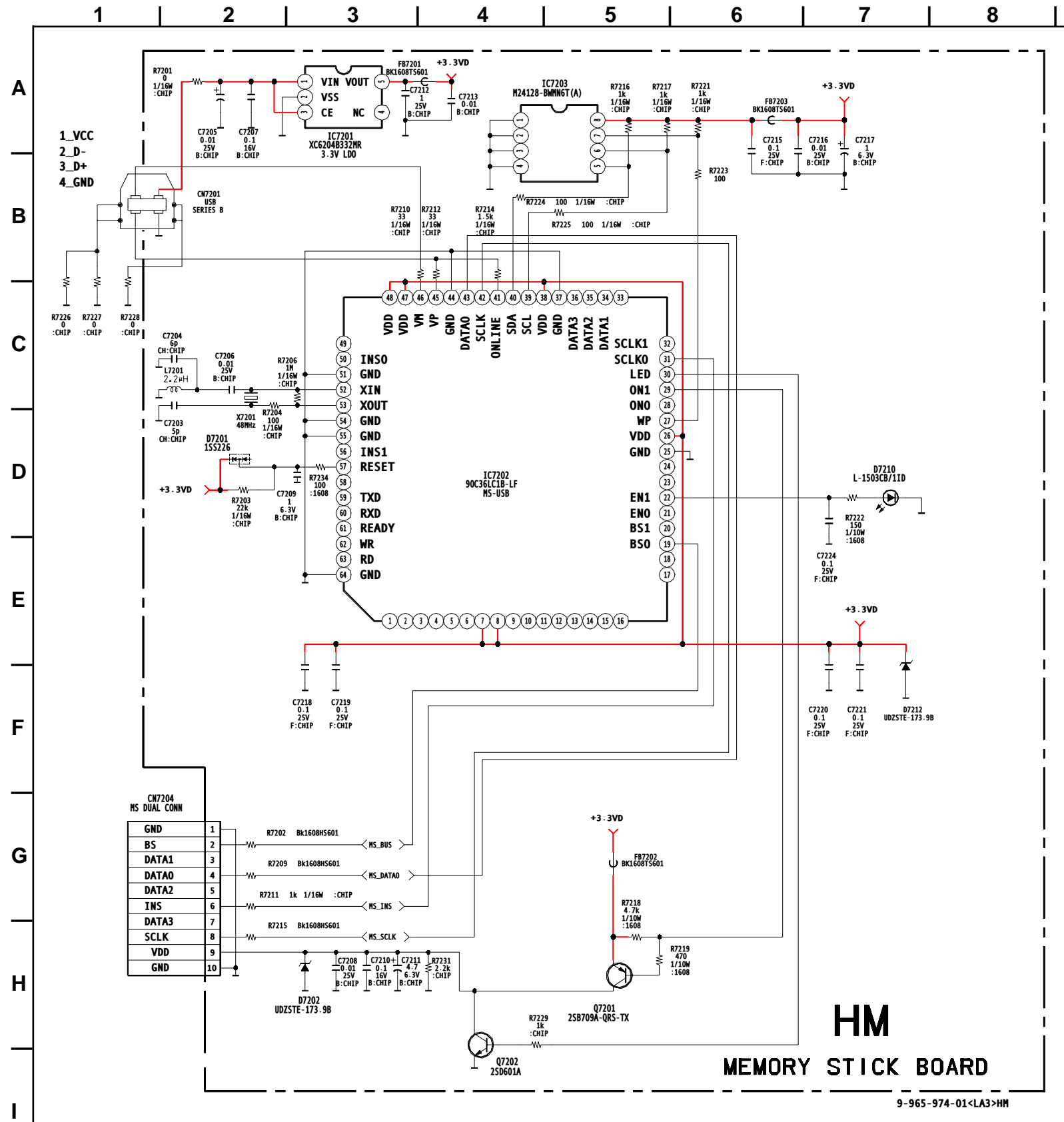


F [AC FILTER]

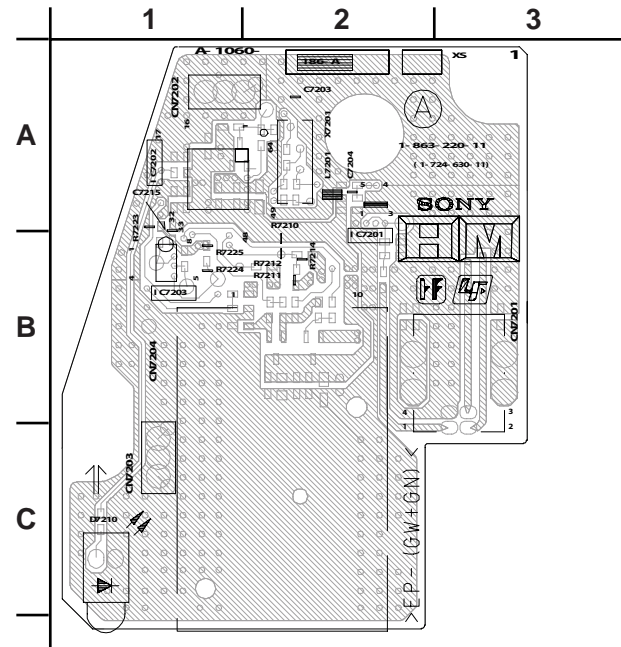
CONDUCTOR SIDE



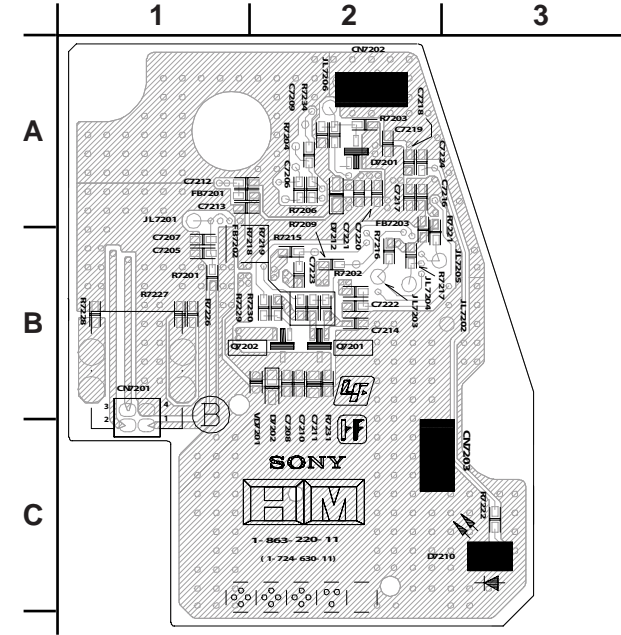
HM BOARD SCHEMATIC DIAGRAM



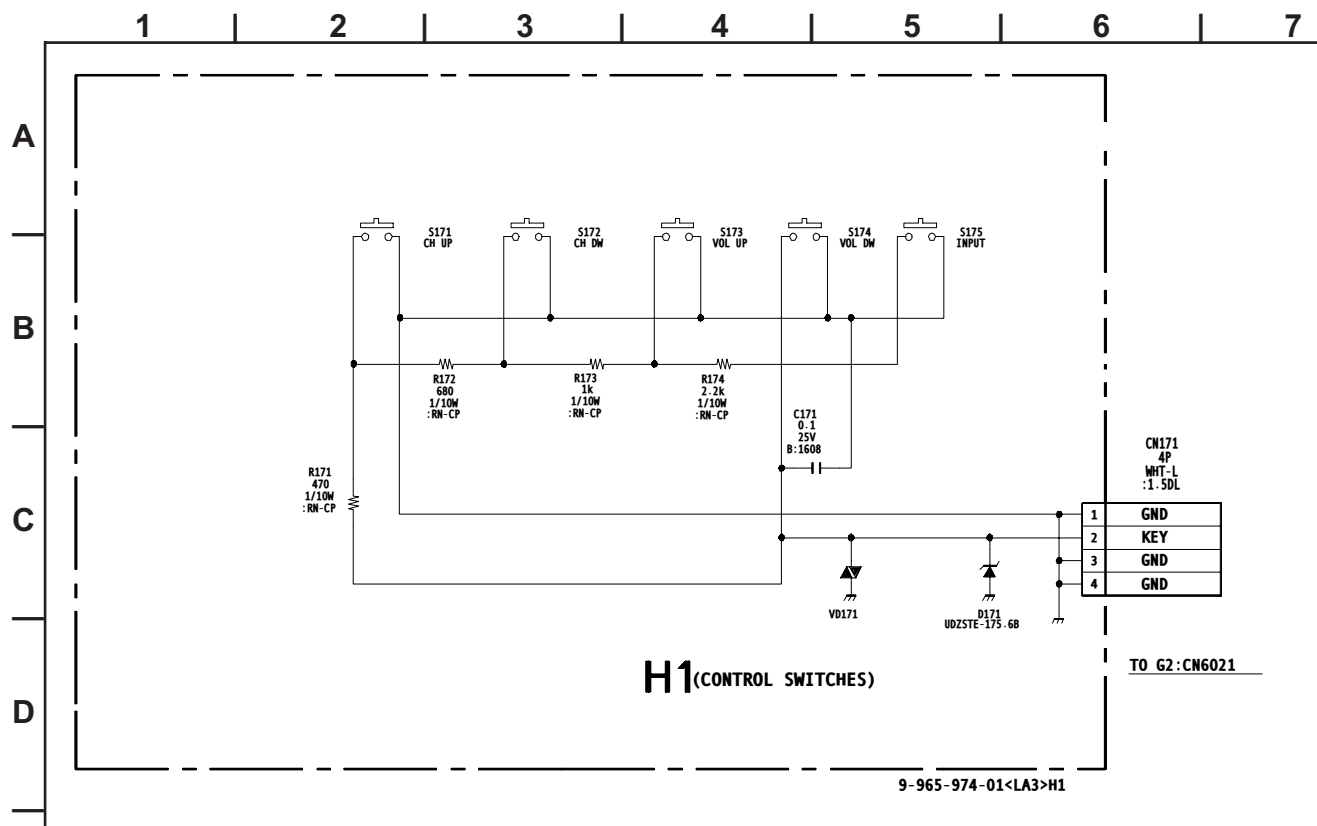
HM [MEMORY STICK BOARD]
COMPONENT SIDE



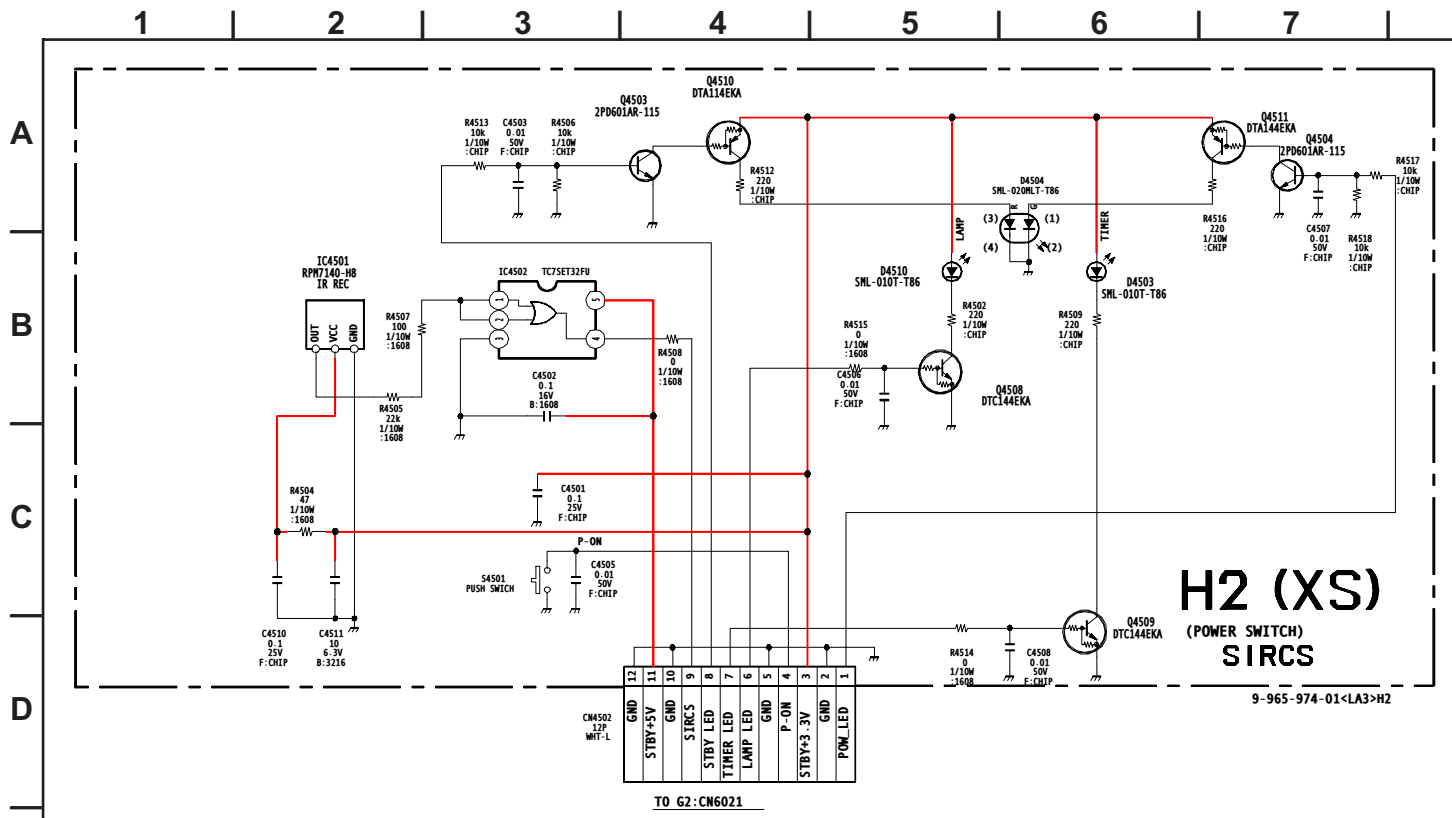
HM [MEMORY STICK BOARD]
CONDUCTOR SIDE



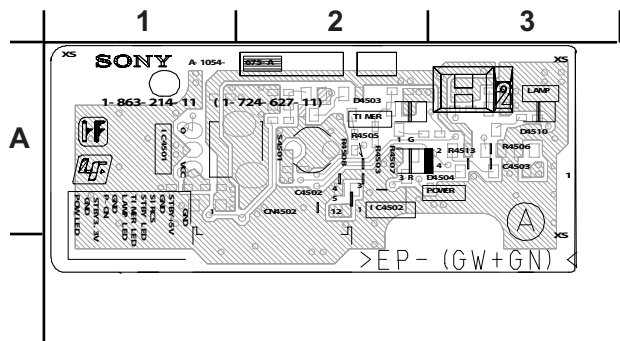
H1 BOARD SCHEMATIC DIAGRAM



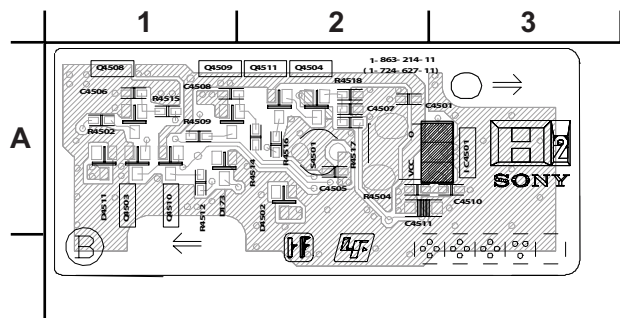
H2 BOARD SCHEMATIC DIAGRAM



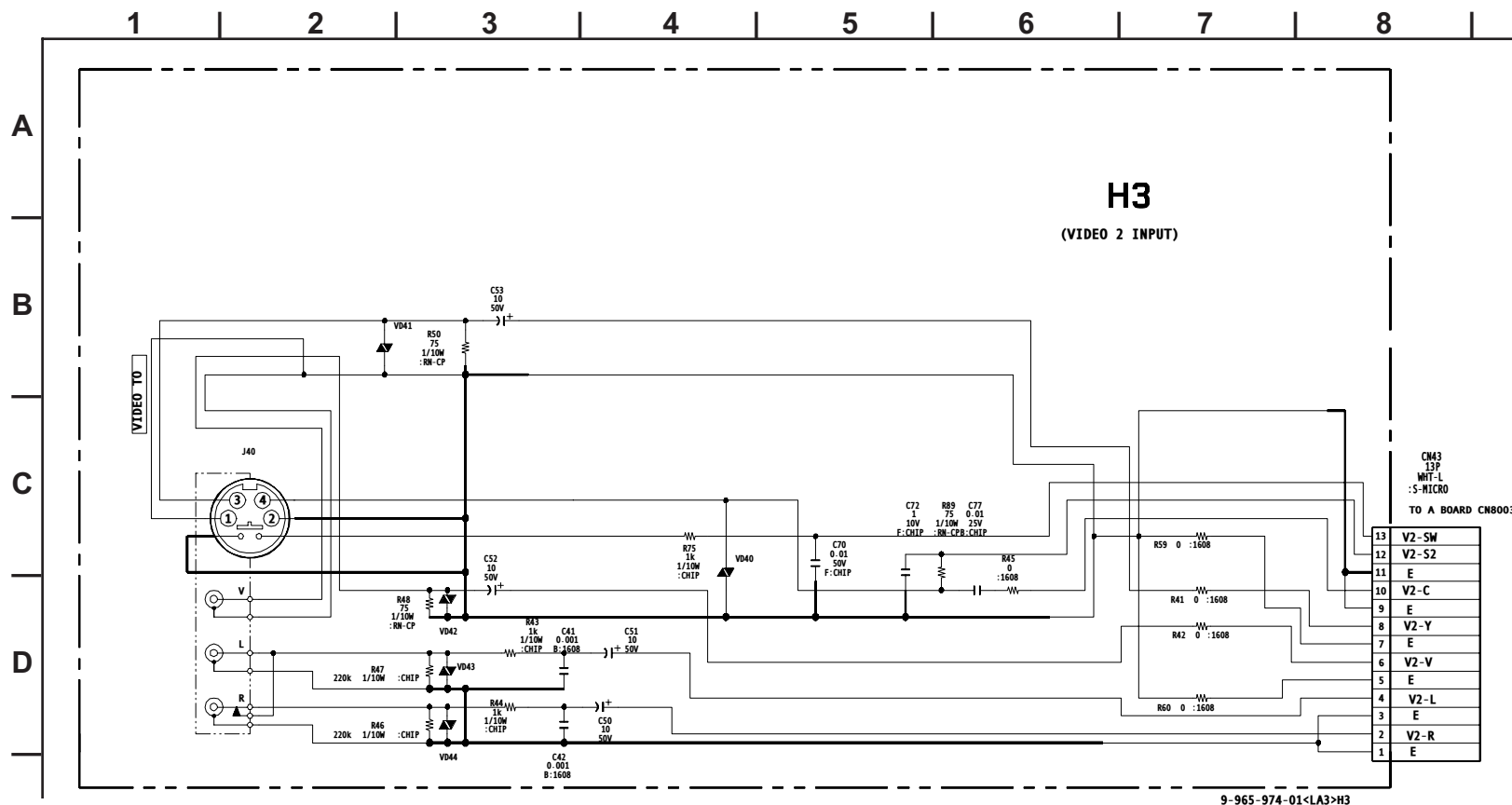
H2 [POWER SWITCH, SIRCS]
COMPONENT SIDE



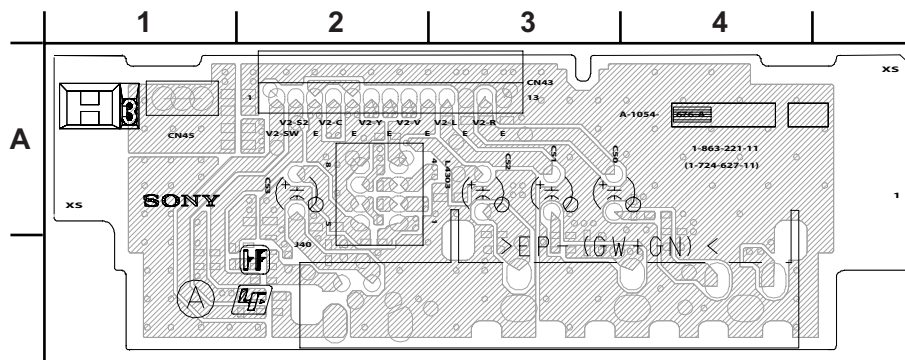
H2 [POWER SWITCH, SIRCS]
CONDUCTOR SIDE



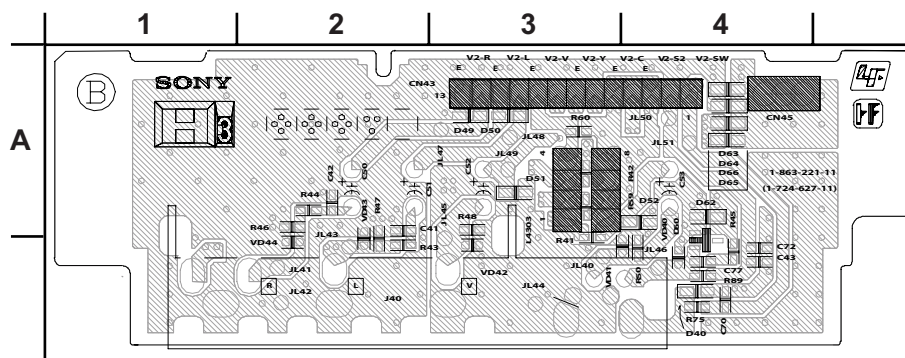
H3 BOARD SCHEMATIC DIAGRAM



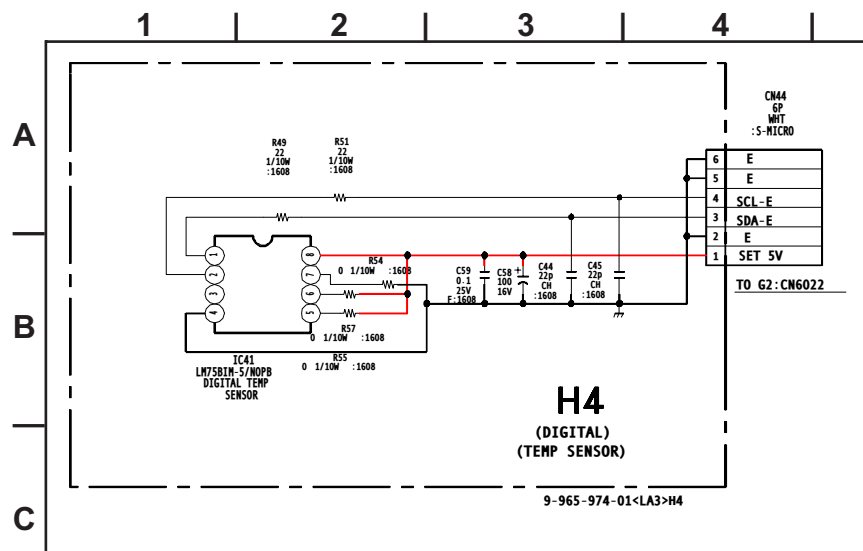
H3 [VIDEO 2 INPUT]
COMPONENT SIDE



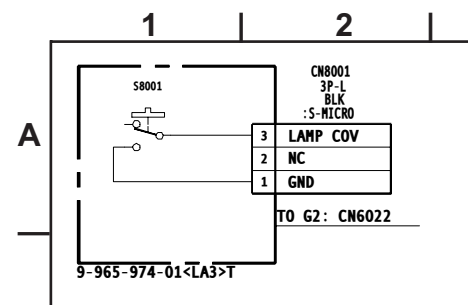
H3 [VIDEO 2 INPUT]
CONDUCTOR SIDE



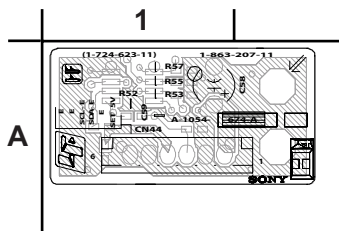
H4 BOARD SCHEMATIC DIAGRAM



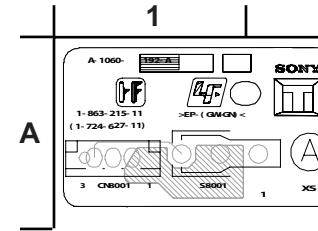
T BOARD SCHEMATIC DIAGRAM



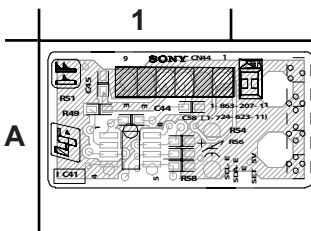
H4 [DIGITAL, TEMP SENSOR]
COMPONENT SIDE



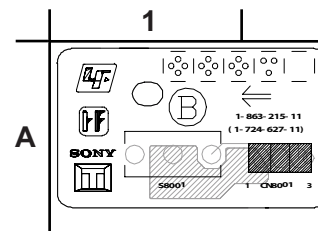
T [LAMP DOOR SWITCH]
COMPONENT SIDE



H4 [DIGITAL, TEMP SENSOR]
CONDUCTOR SIDE

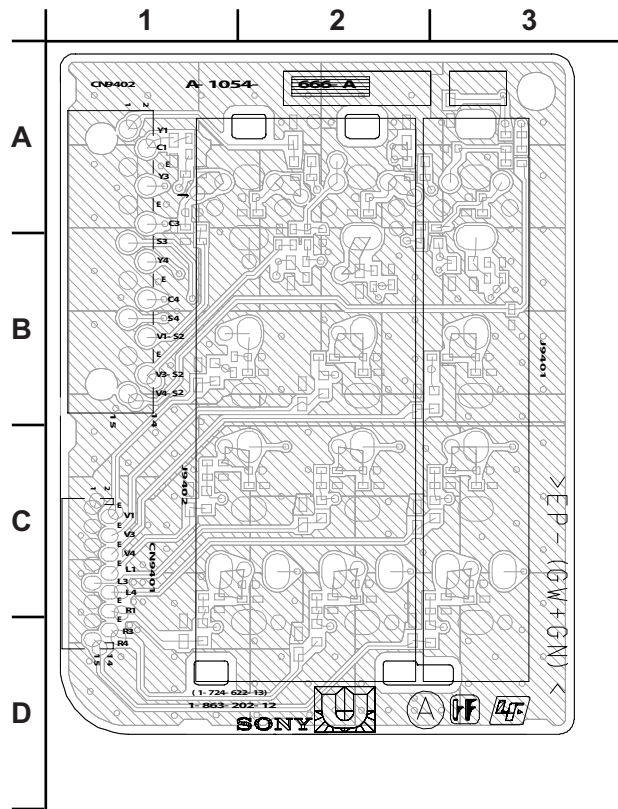


T [LAMP DOOR SWITCH]
CONDUCTOR SIDE

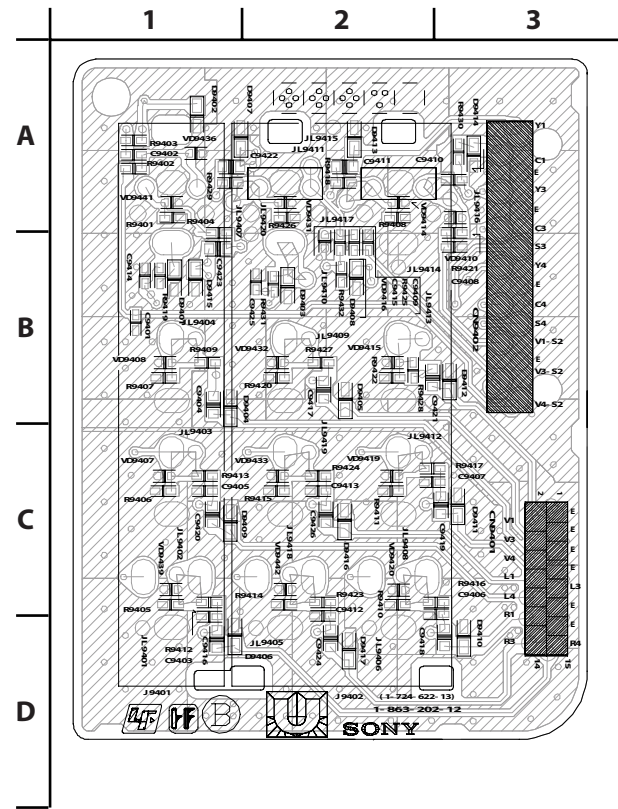




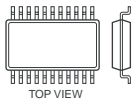
COMPONENT SIDE



CONDUCTOR SIDE

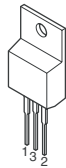


3-5. SEMICONDUCTORS



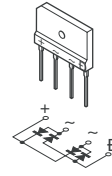
16Pin

CXA2069Q
NJW1149

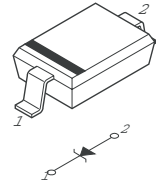


PQ07VZ012ZP

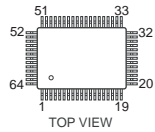
2SA1162-G
2SA1576A-T106-R
2SA1611-M5M6
2SC1623-L5L6
2SC4081-R
2SD601A-Q
DTA114EKA-T146
DTC114EK
DTC114EU
DTC143EKA-T146
DTC144EKA
DTC144EUA-T146



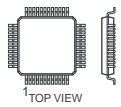
DAP202K
M1MA152WK-T1



SLR-325VCT31

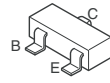


CXA2171AQ-T6

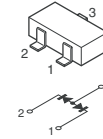


48Pin

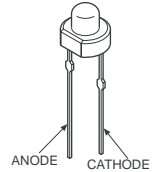
PQ30RV11
PQ30RV21
PQ30RV31



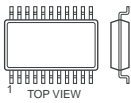
2SK2663



DE5SC3ML

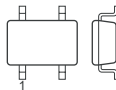


LM75CIMX-5
M24C02-WMN6T(A)
M24C16-WMN6T(A)
MAX4451EKA-TG069
NJM4558V-TE2



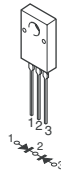
8Pin

SN74CBTLV1G125DCKR

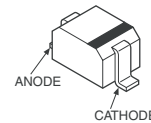


5Pin

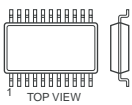
D10SC6M



DTZ10B
HZU11B1TRF
MA111-TX
MA113-(TX)
UDZS-TE17-5.6B
UDZ-TE-17-4.3B
UDZ-TE-17-8.2B

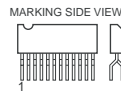


M52055FP



14Pin

TDA7265

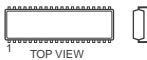


11Pin

D1N20R
D1NS4
RD12SB2
RD18SB2
RD3.3SB2

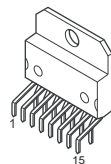
ERA22-08
ERC04-06SE

MCZ3001DA



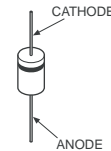
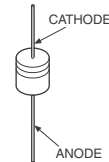
18Pin

TDA7296



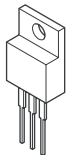
UPC1093J-1-T

D1NL20J-TR



RD5.6SB2-T1
RD6.2SB2-T1
RD7.5SB2-T1

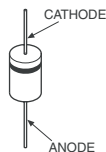
NJM78M12DL1A-TE2



NJM79M12DL1A-TE1



D2SB60A-F04
D4SBL40
D4SBS6-F
D6SB60L



SECTION 4: EXPLODED VIEWS

Components not identified by a part number or description are not stocked because they are seldom required for routine service.

The component parts of an assembly are indicated by the reference numbers in the far right column of the parts list and within the dotted lines of the diagram.

* Items marked with an asterisk are not stocked since they are seldom required for routine service. Expect some delay when ordering these components.

NOTE: The components identified by shading and \triangle mark are critical for safety. Replace only with part number specified.

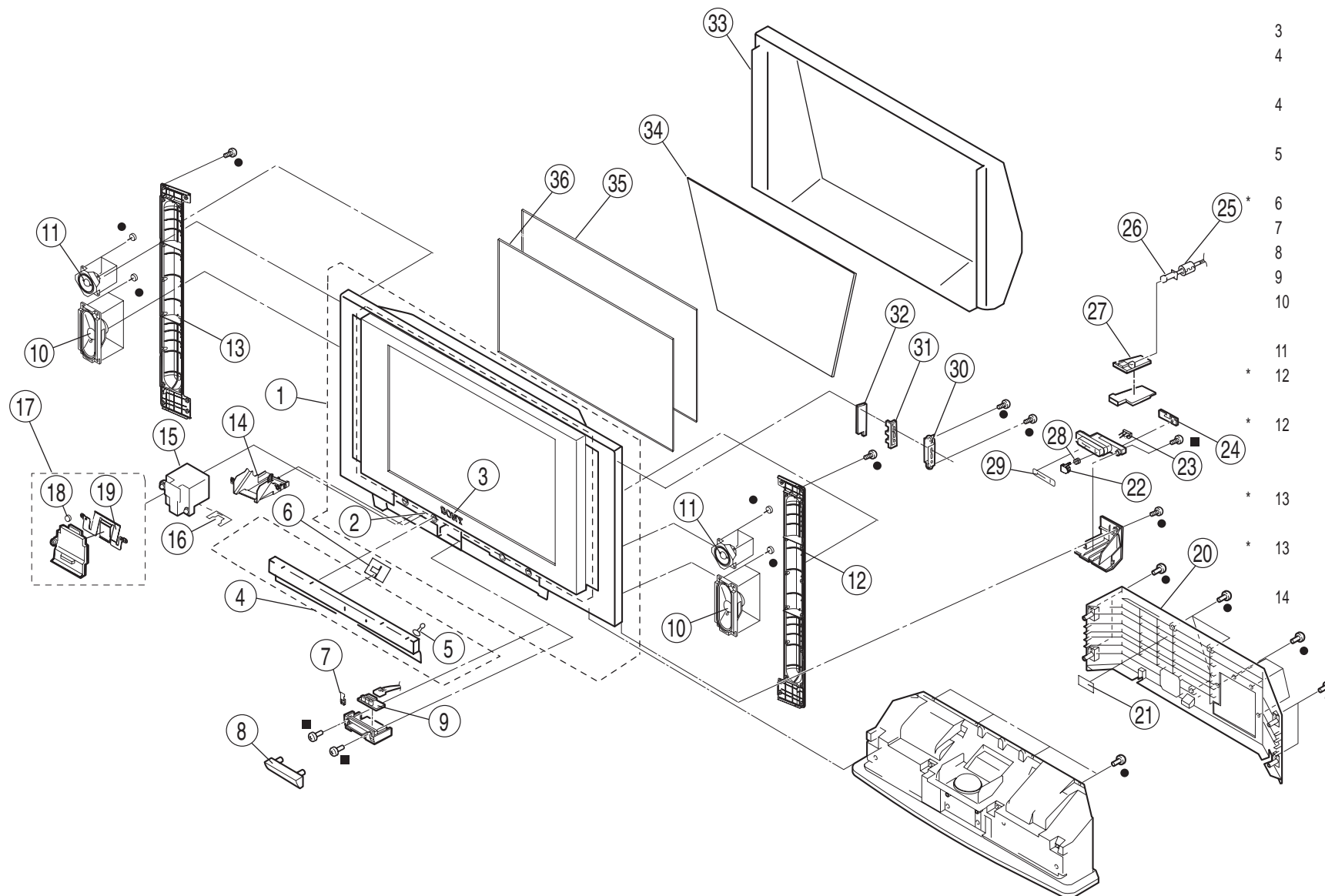
NOTE: Les composants identifiés par un trame et une marque \triangle sont critiques pour la sécurité. Ne les remplacer que par une pièce portant le numéro spécifique.

4-1. COVER


- 7-685-648-79 SCREW +BVTP 3X12 TYPE2 IT-3
- 7-685-663-79 SCREW +BVTP 4X16 TYPE2 IT-3


Caution:

When repairing anything inside the Screen Mirror Block Assembly be sure to clean the mirror and Diffusion Plate to remove any dust particles.



REF. NO.	PART NO.	DESCRIPTION	[ASSEMBLY INCLUDES]	REF. NO.	PART NO.	DESCRIPTION	[ASSEMBLY INCLUDES]
1	A-1088-176-A	SCREEN FRAME ASSY(55)(IRP) (KDF-55XS955 ONLY)	[2-3]	\triangle *15	A-1085-447-A	LAMP BLOCK (RP) ASSY	
1	A-1088-178-A	SCREEN FRAME ASSY(60)(IRP) (KDF-60XS955 ONLY)	[2-3]	*	16	2-055-920-01	SPRING, LAMP CASE
2	X-2021-580-1	ASSY, BEZEL (55) (KDF-55XS955 ONLY)	[3]	17	X-2021-854-1	DOOR ASSY, LAMP	[18-19]
2	X-2021-581-1	ASSY, BEZEL (60) (KDF-60XS955 ONLY)	[3]	*	18	3-650-537-00	WASHER
3	3-704-179-01	EMBLEM (NO.9), SONY		19	2-024-926-01	SPRING, LAMP DOOR	
4	X-2021-852-1	COVER (55) ASSY, FRONT (KDF-55XS955 ONLY)	[5]	20	2-024-922-01	COVER, REAR	
4	X-2021-853-1	COVER (60) ASSY, FRONT (KDF-60XS955 ONLY)	[5]	*	21	2-159-576-01	CUSHION, ACOUSTIC (REAR)
5	4-092-219-01	STRIKE		22	2-050-286-01	BUTTON, POWER	
6	2-176-987-02	CUSHION, ACOUSTIC (XS FRONT)		23	2-050-287-01	GUIDE, OPTICAL	
7	4-094-757-01	SPRING, PLATE		24	A-1054-675-A	H2 BOARD, MOUNTED	
8	2-050-284-01	DOOR, H3		25	1-469-241-11	CORE, FERRITE (RFC-8 BK)	
9	A-1054-676-A	H3 BOARD, MOUNTED		26	1-792-826-21	CORD, CONNECTION	
10	1-825-958-11	LOUDSPEAKER (13X7CM)		27	A-1060-186-A	HM BOARD, COMPLETE	
11	1-825-962-11	LOUDSPEAKER (5CM)		28	3-509-046-01	SPRING, COMPRESSION	
* 12	2-050-290-01	BOX (R) (55), SPEAKER (KDF-55XS955 ONLY)		29	2-050-288-01	PANEL, MS	
* 12	2-050-298-01	BOX (R) (60), SPEAKER (KDF-60XS955 ONLY)		30	2-050-280-01	BRACKET (55), H1 (KDF-55XS955 ONLY)	
* 13	2-050-289-01	BOX (L) (55), SPEAKER (KDF-55XS955 ONLY)		30	2-050-281-02	BRACKET (60), H1 (KDF-60XS955 ONLY)	
* 13	2-050-297-01	BOX (L) (60), SPEAKER (KDF-60XS955 ONLY)		31	2-024-430-01	BUTTON, H1	
14	2-055-932-01	GUIDE, LAMP CASE		32	A-1060-183-A	H1 BOARD, MOUNTED	
				33	A-1088-175-A	MIRROR COVER ASSY(55)(IRP) (KDF-55XS955 ONLY)	
				33	A-1088-177-A	MIRROR COVER ASSY(60)(IRP) (KDF-60XS955 ONLY)	
				34	A-1087-106-A	MIRROR (55) ASSY (IRP) (KDF-55XS955 ONLY)	
				34	A-1087-109-A	MIRROR (60) ASSY (IRP) (KDF-60XS955 ONLY)	
				35	1-788-163-21	PLATE (55F), DIFFUSION (KDF-55XS955 ONLY)	
				35	1-788-164-21	PLATE (60F), DIFFUSION (KDF-60XS955 ONLY)	
					7-632-661-51	BLACK ACETATE (2142) 23X50M TAPE FOR DIFFUSION PLATES (NOT SHOWN)	
				36	1-788-160-41	PLATE, (55L) DIFFUSION (KDF-55XS955 ONLY)	
				36	1-788-161-61	PLATE, (60L) DIFFUSION (KDF-60XS955 ONLY)	

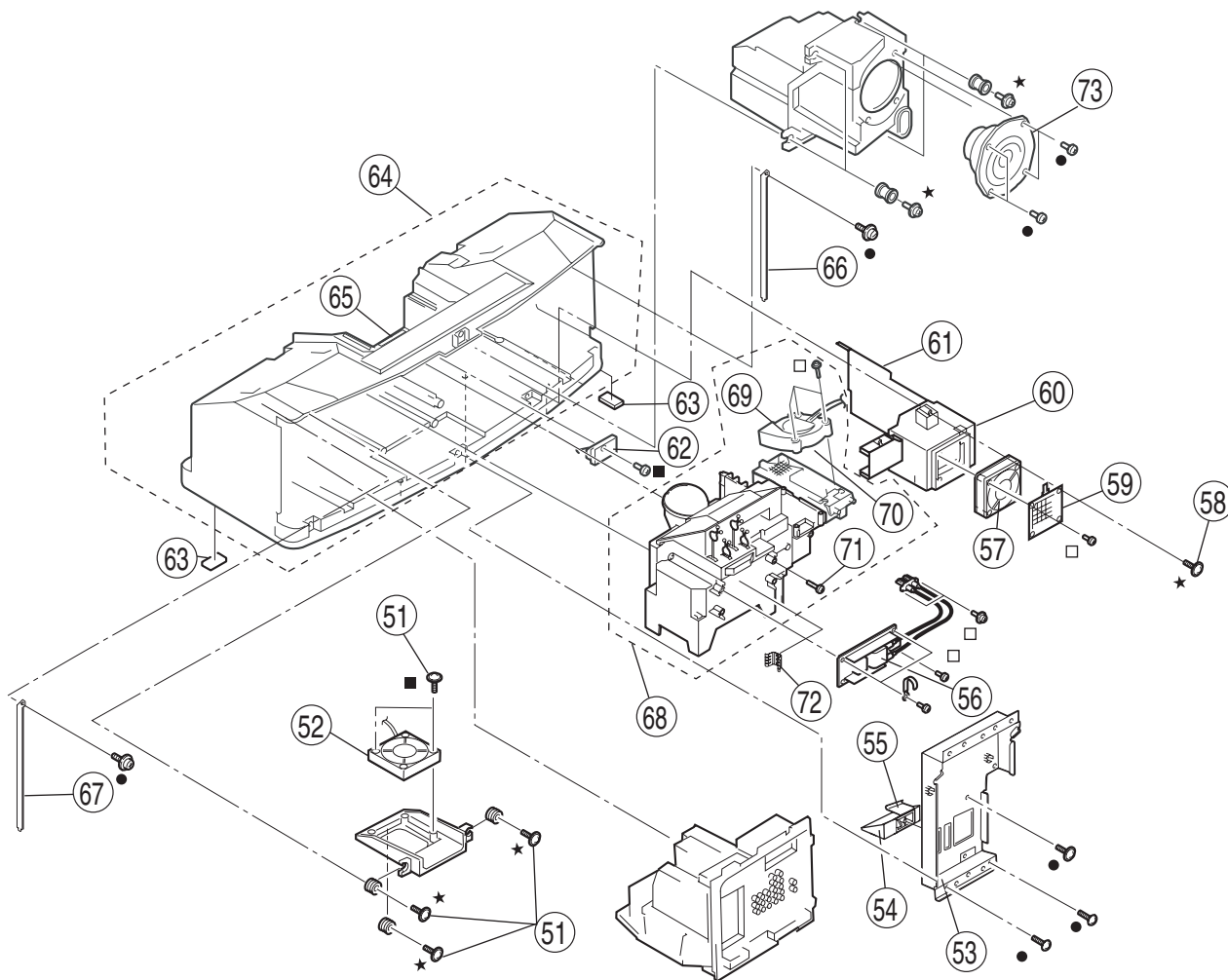
NOTE: The components identified by shading and  mark are critical for safety. Replace only with part number specified.






NOTE: Les composants identifiés par un trame et une marque  sont critiques pour la sécurité. Ne les remplacer que par une pièce portant le numéro spécifié.

4-2. BOTTOM CABINET

■	7-685-648-79	SCREW +BVTP 3X12 TYPE2 IT-3
●	7-685-663-79	SCREW +BVTP 4X16 TYPE2 IT-3
★	4-302-404-03	SCREW (WASHER HEAD) (+P 4X16)
□	4-064-929-02	SCREW, TP+TWH 4X25

Caution:
When replacing the Optics Unit Block Assembly or the DC Fan be sure to remove any dust particles.



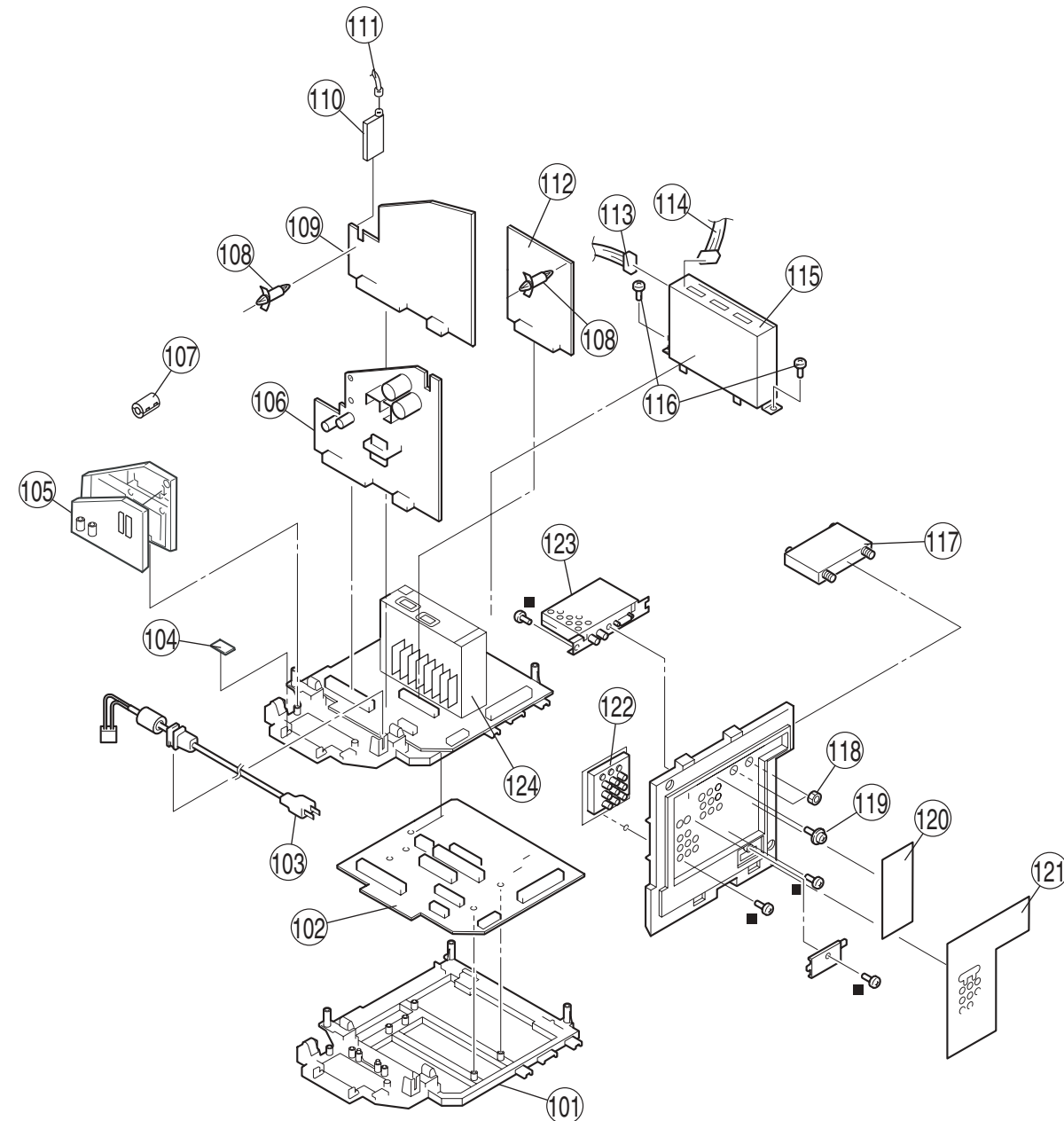
REF. NO.	PART NO.	DESCRIPTION	[ASSEMBLY INCLUDES]	REF. NO.	PART NO.	DESCRIPTION	[ASSEMBLY INCLUDES]
	51	4-302-404-03	SCREW (WASHER HEAD) (+P 4X16)	*	66	2-024-925-01	STAY (R) , SIDE
	*52	1-787-081-11	FAN, DC	*	67	2-024-924-01	STAY (L) , SIDE
*	53	2-024-923-01	BRACKET, OU		68	A-1084-666-A	OPTICS UNIT BLOCK (IRP) ASSY [69-71] (KDF-55XS955 ONLY)
*	54	X-2021-365-1	ADJUSTER ASSY		68	A-1084-668-A	OPTICS UNIT BLOCK (IRP) ASSY [69-71] (KDF-60XS955 ONLY)
*	55	2-159-411-01	SPRING, OPT				
	56	1-468-875-11	POWER SUPPLY BLOCK	*	69	2-055-931-01	DUCT, LAMP FAN
	*57	1-787-232-11	D.C. FAN	70	1-787-065-11	D.C. FAN (SIROCCO)	
	58	7-685-648-79	SCREW +BVTP 3X12 TYPE2 IT-3	71	4-319-520-11	SCREW, SPECIAL (+PW4X30)	
*	59	2-055-936-01	PLATE, 120 FAN	72	2-055-353-01	SPRING, EMI C	
*	60	2-055-928-01	FAN BRACKET, DUCT	73	1-825-970-11	LOUDSPEAKER (15CM)	
*	61	2-050-988-01	FAN BRACKET (2), DUCT				
	62	A-1060-192-A	T BOARD, MOUNTED				
	63	4-097-548-01	CUSHION, FOOT				
	64	X-2021-851-1	CABINET ASSY, BOTTOM				
	65	4-077-652-01	CUSHION (A)				

NOTE: The components identified by shading and ⚠ mark are critical for safety. Replace only with part number specified.

NOTE: Les composants identifiés par un trame et une marque ⚠ sont critiques pour la sécurité. Ne les remplacer que par une pièce portant le numéro spécifique.

4-3. CHASSIS

■ 7-685-648-79 SCREW +BVTP 3X12 TYPE2 IT-3



REF. NO.	PART NO.	DESCRIPTION	[ASSEMBLY INCLUDES]	REF. NO.	PART NO.	DESCRIPTION	[ASSEMBLY INCLUDES]
*	101	4-103-435-01	MAIN BRACKET	116	4-029-432-01	SCREW (3X12), (+) BVWHTP	
	102	A-1060-178-B	G2 BOARD, COMPLETE	117	8-597-906-00	ANTENNA SWITCH RFD-SA801	
⚠	103	1-791-192-21	CORD, NOISE FILTER WITH POWER	118	3-682-691-00	NUT, WASHER HEXAGON	
	104	A-1054-674-A	H4 BOARD, MOUNTED	119	7-685-648-79	SCREW +BVTP 3X12 TYPE2 IT-3	
	105	A-1060-176-A	F BOARD, COMPLETE	120	2-048-669-01	LABEL, TERMINAL (DIGITAL)	
	106	A-1060-177-A	G1 BOARD, COMPLETE	121	2-055-178-01	LABEL, TERMINAL	
	107	1-500-082-11	CLAMP, SLEEVE FERRITE	122	A-1054-666-A	U BOARD, MOUNTED	
*	108	4-092-047-01	CIRCUIT BOARD SUPPORTS	123	A-1061-785-A	P BOARD, COMPLETE	
	109	A-1060-167-A	A BOARD, COMPLETE	124	A-1058-689-A	Q BOX ASSEMBLY	
	110	8-598-594-10	TUNER, FSS BTF-FA421				The Q Box Assembly contains the QT Board, the QM Board, and the QU Board. These boards cannot be ordered separately.
*	111	1-557-056-31	CABLE, P-P				
	112	A-1060-187-A	KD BOARD, COMPLETE				
👉	113	1-910-004-95	17P CONNECTOR ASSY (LVDS CABLE)				
👉	114	1-910-004-94	17P CONNECTOR ASSY (LVDS CABLE)				
	115	A-1060-168-E	B BOARD, COMPLETE				

SECTION 5: ELECTRICAL PARTS LIST

NOTE: The components identified by shading and \triangle mark are critical for safety. Replace only with part number specified.

NOTE: Les composants identifiés par un trame et une marque \triangle sont critiques pour la sécurité. Ne les remplacer que par une pièce portant le numéro spécifique.

* Items marked with an asterisk are not stocked since they are seldom required for routine service. Expect some delay when ordering these components.

- RESISTORS**
- All resistors are in ohms
 - F : nonflammable
 - All variable and adjustable resistors have characteristic curve B, unless otherwise noted.



When ordering parts by reference number, please include the board name.

REF. NO.	PART NO.	DESCRIPTION	VALUES			REF. NO.	PART NO.	DESCRIPTION	VALUES	
U						CONNECTOR				
						CN9401	1-778-398-11	CONNECTOR, BOARD TO BOARD	15P	
						* CN9402	1-691-632-22	CONNECTOR, BOARD TO BOARD	15P	
						DIODE				
						D9401	8-719-977-28	DIODE	DTZ10B	
						D9403	8-719-977-28	DIODE	DTZ10B	
						JACK				
						J9401	1-774-748-11	TERMINAL BLOCK, S		
						J9402	1-573-967-12	BLOCK, (S) TERMINAL		
						RESISTOR				
						R9401	1-218-665-11	METAL CHIP	75 0.50% 1/10W	
						R9402	1-218-665-11	METAL CHIP	75 0.50% 1/10W	
						R9403	1-216-864-11	SHORT CHIP		
						R9404	1-216-864-11	SHORT CHIP		
						R9405	1-216-849-11	METAL CHIP	220K 5% 1/10W	
						R9406	1-216-849-11	METAL CHIP	220K 5% 1/10W	
						R9407	1-218-665-11	METAL CHIP	75 0.50% 1/10W	
						R9408	1-218-665-11	METAL CHIP	75 0.50% 1/10W	
						R9409	1-216-864-11	SHORT CHIP		
						R9410	1-216-849-11	METAL CHIP	220K 5% 1/10W	
						R9411	1-216-849-11	METAL CHIP	220K 5% 1/10W	
						R9412	1-216-821-11	METAL CHIP	1K 5% 1/10W	
						R9413	1-216-821-11	METAL CHIP	1K 5% 1/10W	
						R9414	1-216-849-11	METAL CHIP	220K 5% 1/10W	
						R9415	1-216-849-11	METAL CHIP	220K 5% 1/10W	
						R9416	1-216-821-11	METAL CHIP	1K 5% 1/10W	
						R9417	1-216-821-11	METAL CHIP	1K 5% 1/10W	
						R9418	1-216-864-11	SHORT CHIP		
						CAPACITOR				
						* A-1054-666-A	U BOARD, MOUNTED			
						C9401	1-125-891-11	CERAMIC CHIP	0.47 μ F 10% 10V	
						C9402	1-162-970-11	CERAMIC CHIP	0.01 μ F 10% 25V	
						C9403	1-162-964-11	CERAMIC CHIP	0.001 μ F 10% 50V	
						C9404	1-164-505-11	CERAMIC CHIP	2.2 μ F 16V	
						C9405	1-162-964-11	CERAMIC CHIP	0.001 μ F 10% 50V	
						C9406	1-162-964-11	CERAMIC CHIP	0.001 μ F 10% 50V	
						C9407	1-162-964-11	CERAMIC CHIP	0.001 μ F 10% 50V	
						C9408	1-125-891-11	CERAMIC CHIP	0.47 μ F 10% 10V	
						C9409	1-125-891-11	CERAMIC CHIP	0.47 μ F 10% 10V	
						C9410	1-162-970-11	CERAMIC CHIP	0.01 μ F 10% 25V	
						C9411	1-164-505-11	CERAMIC CHIP	2.2 μ F 16V	
						C9412	1-162-964-11	CERAMIC CHIP	0.001 μ F 10% 50V	
						C9413	1-162-964-11	CERAMIC CHIP	0.001 μ F 10% 50V	
						C9415	1-162-970-11	CERAMIC CHIP	0.01 μ F 10% 25V	
						C9416	1-164-505-11	CERAMIC CHIP	2.2 μ F 16V	
						C9417	1-164-505-11	CERAMIC CHIP	2.2 μ F 16V	
						C9418	1-164-505-11	CERAMIC CHIP	2.2 μ F 16V	
						C9419	1-164-505-11	CERAMIC CHIP	2.2 μ F 16V	
						C9420	1-164-505-11	CERAMIC CHIP	2.2 μ F 16V	
						C9421	1-164-505-11	CERAMIC CHIP	2.2 μ F 16V	
						C9422	1-164-505-11	CERAMIC CHIP	2.2 μ F 16V	
						C9423	1-164-505-11	CERAMIC CHIP	2.2 μ F 16V	
						C9424	1-164-505-11	CERAMIC CHIP	2.2 μ F 16V	
						C9426	1-164-505-11	CERAMIC CHIP	2.2 μ F 16V	



REF. NO.	PART NO.	DESCRIPTION	VALUES	REF. NO.	PART NO.	DESCRIPTION	VALUES
C8036	1-162-966-11	CERAMIC CHIP	0.0022 μ F 10% 50V	C8083	1-162-968-11	CERAMIC CHIP	0.0047 μ F 10% 50V
C8037	1-117-681-11	ELECT CHIP	100 μ F 20% 16V	C8084	1-165-908-11	CERAMIC CHIP	1 μ F 10% 10V
C8041	1-162-966-11	CERAMIC CHIP	0.0022 μ F 10% 50V	C8085	1-165-908-11	CERAMIC CHIP	1 μ F 10% 10V
C8042	1-117-681-11	ELECT CHIP	100 μ F 20% 16V	C8086	1-162-964-11	CERAMIC CHIP	0.001 μ F 10% 50V
C8043	1-164-156-11	CERAMIC CHIP	0.1 μ F 25V	C8087	1-162-964-11	CERAMIC CHIP	0.001 μ F 10% 50V
C8044	1-117-681-11	ELECT CHIP	100 μ F 20% 16V	C8088	1-165-908-11	CERAMIC CHIP	1 μ F 10% 10V
C8045	1-107-826-11	CERAMIC CHIP	0.1 μ F 10% 16V	C8089	1-162-964-11	CERAMIC CHIP	0.001 μ F 10% 50V
C8046	1-107-826-11	CERAMIC CHIP	0.1 μ F 10% 16V	C8090	1-165-908-11	CERAMIC CHIP	1 μ F 10% 10V
C8047	1-128-994-21	ELECT CHIP	47 μ F 20% 10V	C8091	1-162-964-11	CERAMIC CHIP	0.001 μ F 10% 50V
C8048	1-107-826-11	CERAMIC CHIP	0.1 μ F 10% 16V	C8092	1-117-681-11	ELECT CHIP	100 μ F 20% 16V
C8049	1-164-505-11	CERAMIC CHIP	2.2 μ F 16V	C8093	1-117-681-11	ELECT CHIP	100 μ F 20% 16V
C8050	1-164-505-11	CERAMIC CHIP	2.2 μ F 16V	C8094	1-117-681-11	ELECT CHIP	100 μ F 20% 16V
C8051	1-162-970-11	CERAMIC CHIP	0.01 μ F 10% 25V	C8095	1-117-681-11	ELECT CHIP	100 μ F 20% 16V
C8052	1-164-156-11	CERAMIC CHIP	0.1 μ F 25V	C8096	1-117-681-11	ELECT CHIP	100 μ F 20% 16V
C8053	1-165-176-11	CERAMIC CHIP	0.047 μ F 10% 16V	C8097	1-117-681-11	ELECT CHIP	100 μ F 20% 16V
C8054	1-115-156-11	CERAMIC CHIP	1 μ F 10V	C8098	1-127-931-21	ELECT CHIP	470 μ F 20% 16V
C8055	1-162-961-11	CERAMIC CHIP	330pF 10% 50V	C8099	1-107-826-11	CERAMIC CHIP	0.1 μ F 10% 16V
C8056	1-127-804-91	CERAMIC CHIP	100pF 1% 50V	C8100	1-117-720-11	CERAMIC CHIP	4.7 μ F 10V
C8057	1-165-176-11	CERAMIC CHIP	0.047 μ F 10% 16V	C8101	1-127-931-21	ELECT CHIP	470 μ F 20% 16V
C8058	1-115-156-11	CERAMIC CHIP	1 μ F 10V	C8107	1-162-915-11	CERAMIC CHIP	10pF 0.50pF 50V
C8059	1-164-230-11	CERAMIC CHIP	220pF 5% 50V	C8108	1-127-931-21	ELECT CHIP	470 μ F 20% 16V
C8061	1-109-982-11	CERAMIC CHIP	1 μ F 10% 10V	C8200	1-127-715-91	CERAMIC CHIP	0.22 μ F 10% 16V
C8062	1-107-826-11	CERAMIC CHIP	0.1 μ F 10% 16V	C8201	1-128-996-11	ELECT CHIP	4.7 μ F 20% 50V
C8063	1-165-908-11	CERAMIC CHIP	1 μ F 10% 10V	C8202	1-117-681-11	ELECT CHIP	100 μ F 20% 16V
C8064	1-107-826-11	CERAMIC CHIP	0.1 μ F 10% 16V	C8203	1-107-826-11	CERAMIC CHIP	0.1 μ F 10% 16V
C8065	1-162-913-11	CERAMIC CHIP	8pF 0.50pF 50V	C8204	1-124-779-00	ELECT CHIP	10 μ F 20% 16V
C8066	1-107-826-11	CERAMIC CHIP	0.1 μ F 10% 16V	C8205	1-164-360-11	CERAMIC CHIP	0.1 μ F 16V
C8067	1-107-826-11	CERAMIC CHIP	0.1 μ F 10% 16V	C8206	1-117-681-11	ELECT CHIP	100 μ F 20% 16V
C8068	1-107-826-11	CERAMIC CHIP	0.1 μ F 10% 16V	C8207	1-164-230-11	CERAMIC CHIP	220pF 5% 50V
C8069	1-107-826-11	CERAMIC CHIP	0.1 μ F 10% 16V	C8208	1-164-230-11	CERAMIC CHIP	220pF 5% 50V
C8070	1-107-826-11	CERAMIC CHIP	0.1 μ F 10% 16V	C8209	1-127-573-11	CERAMIC CHIP	1 μ F 10% 16V
C8071	1-164-505-11	CERAMIC CHIP	2.2 μ F 16V	C8210	1-127-573-11	CERAMIC CHIP	1 μ F 10% 16V
C8072	1-164-505-11	CERAMIC CHIP	2.2 μ F 16V	C8220	1-136-167-00	FILM	0.15 μ F 5% 50V
C8073	1-117-720-11	CERAMIC CHIP	4.7 μ F 10V	C8221	1-136-159-00	FILM	0.033 μ F 5% 50V
C8074	1-164-505-11	CERAMIC CHIP	2.2 μ F 16V	C8222	1-136-167-00	FILM	0.15 μ F 5% 50V
C8075	1-164-505-11	CERAMIC CHIP	2.2 μ F 16V	C8223	1-136-159-00	FILM	0.033 μ F 5% 50V
C8076	1-164-505-11	CERAMIC CHIP	2.2 μ F 16V	C8224	1-162-915-11	CERAMIC CHIP	10pF 0.50pF 50V
C8077	1-127-931-21	ELECT CHIP	470 μ F 20% 16V	C8225	1-107-826-11	CERAMIC CHIP	0.1 μ F 10% 16V
C8078	1-127-931-21	ELECT CHIP	470 μ F 20% 16V	C8226	1-162-915-11	CERAMIC CHIP	10pF 0.50pF 50V
C8080	1-124-779-00	ELECT CHIP	10 μ F 20% 16V	C8227	1-128-992-21	ELECT CHIP	47 μ F 20% 25V
C8081	1-124-779-00	ELECT CHIP	10 μ F 20% 16V	C8228	1-162-923-11	CERAMIC CHIP	47pF 5% 50V
C8082	1-162-968-11	CERAMIC CHIP	0.0047 μ F 10% 50V	C8229	1-162-923-11	CERAMIC CHIP	47pF 5% 50V
				C8230	1-162-923-11	CERAMIC CHIP	47pF 5% 50V



REF. NO.	PART NO.	DESCRIPTION	VALUES			REF. NO.	PART NO.	DESCRIPTION	VALUES		
C8231	1-162-923-11	CERAMIC CHIP	47pF	5%	50V	C8342	1-164-156-11	CERAMIC CHIP	0.1μF		25V
C8232	1-137-190-91	FILM	0.22μF	5%	50V	C8343	1-135-960-91	CERAMIC CHIP	10μF	10%	25V
C8233	1-137-190-91	FILM	0.22μF	5%	50V	C8346	1-100-118-21	ELECT CHIP	82μF	20%	16V
C8301	1-127-931-21	ELECT CHIP	470μF	20%	16V	C8347	1-100-118-21	ELECT CHIP	82μF	20%	16V
C8302	1-162-917-11	CERAMIC CHIP	15pF	5%	50V	C8350	1-107-826-11	CERAMIC CHIP	0.1μF	10%	16V
C8303	1-117-681-11	ELECT CHIP	100μF	20%	16V	C8351	1-164-315-11	CERAMIC CHIP	470pF	5%	50V
C8304	1-164-156-11	CERAMIC CHIP	0.1μF		25V	C8352	1-162-915-11	CERAMIC CHIP	10pF	0.50pF	50V
C8305	1-164-227-11	CERAMIC CHIP	0.022μF	10%	25V	C8353	1-107-826-11	CERAMIC CHIP	0.1μF	10%	16V
C8306	1-162-964-11	CERAMIC CHIP	0.001μF	10%	50V	C8354	1-107-826-11	CERAMIC CHIP	0.1μF	10%	16V
C8307	1-100-118-21	ELECT CHIP	82μF	20%	16V	C8355	1-125-891-11	CERAMIC CHIP	0.47μF	10%	10V
C8308	1-164-156-11	CERAMIC CHIP	0.1μF		25V	C8356	1-125-891-11	CERAMIC CHIP	0.47μF	10%	10V
C8309	1-107-826-11	CERAMIC CHIP	0.1μF	10%	16V	C8357	1-125-891-11	CERAMIC CHIP	0.47μF	10%	10V
C8310	1-107-826-11	CERAMIC CHIP	0.1μF	10%	16V	C8358	1-107-826-11	CERAMIC CHIP	0.1μF	10%	16V
C8311	1-107-826-11	CERAMIC CHIP	0.1μF	10%	16V	C8359	1-110-530-11	ELECT CHIP	1000μF	20%	6.3V
C8312	1-162-923-11	CERAMIC CHIP	47pF	5%	50V	C8360	1-110-530-11	ELECT CHIP	1000μF	20%	6.3V
C8313	1-107-826-11	CERAMIC CHIP	0.1μF	10%	16V	C8361	1-117-681-11	ELECT CHIP	100μF	20%	16V
C8314	1-124-779-00	ELECT CHIP	10μF	20%	16V	C8362	1-164-156-11	CERAMIC CHIP	0.1μF		25V
C8315	1-164-677-11	CERAMIC CHIP	0.033μF	10%	16V	C8365	1-128-996-11	ELECT CHIP	4.7μF	20%	50V
C8316	1-164-677-11	CERAMIC CHIP	0.033μF	10%	16V	C8366	1-164-156-11	CERAMIC CHIP	0.1μF		25V
C8319	1-164-156-11	CERAMIC CHIP	0.1μF		25V	C8367	1-117-681-11	ELECT CHIP	100μF	20%	16V
C8320	1-164-156-11	CERAMIC CHIP	0.1μF		25V	C8368	1-162-970-11	CERAMIC CHIP	0.01μF	10%	25V
C8321	1-164-156-11	CERAMIC CHIP	0.1μF		25V	C8369	1-164-156-11	CERAMIC CHIP	0.1μF		25V
C8322	1-164-156-11	CERAMIC CHIP	0.1μF		25V	C8370	1-125-891-11	CERAMIC CHIP	0.47μF	10%	10V
C8323	1-162-966-11	CERAMIC CHIP	0.0022μF	10%	50V	C8372	1-128-996-11	ELECT CHIP	4.7μF	20%	50V
C8324	1-162-967-11	CERAMIC CHIP	0.0033μF	10%	50V	C8373	1-162-970-11	CERAMIC CHIP	0.01μF	10%	25V
C8325	1-117-681-11	ELECT CHIP	100μF	20%	16V	C8374	1-125-891-11	CERAMIC CHIP	0.47μF	10%	10V
C8326	1-164-156-11	CERAMIC CHIP	0.1μF		25V	C8375	1-162-927-11	CERAMIC CHIP	100pF	5%	50V
C8327	1-117-681-11	ELECT CHIP	100μF	20%	16V	C8376	1-162-919-11	CERAMIC CHIP	22pF	5%	50V
C8328	1-165-875-11	CERAMIC CHIP	10μF	10%	10V	C8377	1-162-924-11	CERAMIC CHIP	56pF	5%	50V
C8329	1-107-826-11	CERAMIC CHIP	0.1μF	10%	16V	C8409	1-117-681-11	ELECT CHIP	100μF	20%	16V
C8330	1-107-826-11	CERAMIC CHIP	0.1μF	10%	16V	C8410	1-162-974-11	CERAMIC CHIP	0.01μF		50V
C8331	1-107-826-11	CERAMIC CHIP	0.1μF	10%	16V	C8422	1-117-681-11	ELECT CHIP	100μF	20%	16V
C8332	1-135-960-91	CERAMIC CHIP	10μF	10%	25V	C8501	1-136-497-81	FILM	0.1μF	5%	50V
C8333	1-107-826-11	CERAMIC CHIP	0.1μF	10%	16V	C8502	1-136-497-81	FILM	0.1μF	5%	50V
C8334	1-107-826-11	CERAMIC CHIP	0.1μF	10%	16V	C8503	1-136-357-11	FILM	680pF	5%	100V
C8335	1-117-681-11	ELECT CHIP	100μF	20%	16V	C8504	1-162-968-11	CERAMIC CHIP	0.0047μF	10%	50V
C8336	1-164-004-11	CERAMIC CHIP	0.1μF	10%	25V	C8505	1-126-395-11	ELECT CHIP	22μF	20%	16V
C8337	1-162-917-11	CERAMIC CHIP	15pF	5%	50V	C8506	1-136-497-81	FILM	0.1μF	5%	50V
C8338	1-162-917-11	CERAMIC CHIP	15pF	5%	50V	C8507	1-136-497-81	FILM	0.1μF	5%	50V
C8339	1-164-004-11	CERAMIC CHIP	0.1μF	10%	25V	C8508	1-136-357-11	FILM	680pF	5%	100V
C8340	1-135-960-91	CERAMIC CHIP	10μF	10%	25V	C8509	1-126-395-11	ELECT CHIP	22μF	20%	16V
C8341	1-164-156-11	CERAMIC CHIP	0.1μF		25V	C8510	1-128-992-21	ELECT CHIP	47μF	20%	25V
						C8511	1-128-992-21	ELECT CHIP	47μF	20%	25V



REF. NO.	PART NO.	DESCRIPTION	VALUES			REF. NO.	PART NO.	DESCRIPTION	VALUES		
C8512	1-128-992-21	ELECT CHIP	47μF	20%	25V	C8554	1-128-992-21	ELECT CHIP	47μF	20%	25V
C8513	1-136-497-81	FILM	0.1μF	5%	50V	C8555	1-162-967-11	CERAMIC CHIP	0.0033μF	10%	50V
C8514	1-137-372-11	MYLAR	0.022μF	5%	50V	C8556	1-162-967-11	CERAMIC CHIP	0.0033μF	10%	50V
C8515	1-137-372-11	MYLAR	0.022μF	5%	50V	C8557	1-162-967-11	CERAMIC CHIP	0.0033μF	10%	50V
C8516	1-107-826-11	CERAMIC CHIP	0.1μF	10%	16V	C8558	1-162-970-11	CERAMIC CHIP	0.01μF	10%	25V
C8517	1-107-826-11	CERAMIC CHIP	0.1μF	10%	16V	C8559	1-127-931-21	ELECT CHIP	470μF	20%	16V
C8518	1-137-374-11	MYLAR	0.047μF	5%	50V	C8560	1-107-826-11	CERAMIC CHIP	0.1μF	10%	16V
C8519	1-137-374-11	MYLAR	0.047μF	5%	50V	C8561	1-136-167-00	FILM	0.15μF	5%	50V
C8520	1-107-826-11	CERAMIC CHIP	0.1μF	10%	16V	C8562	1-130-471-00	MYLAR	0.001μF	5%	50V
C8521	1-137-190-91	FILM	0.22μF	5%	50V	C8563	1-136-157-00	FILM	0.022μF	5%	50V
C8522	1-137-190-91	FILM	0.22μF	5%	50V	C8564	1-130-471-00	MYLAR	0.001μF	5%	50V
C8523	1-162-970-11	CERAMIC CHIP	0.01μF	10%	25V	C8565	1-164-227-11	CERAMIC CHIP	0.022μF	10%	25V
C8524	1-128-996-11	ELECT CHIP	4.7μF	20%	50V	C8566	1-127-715-91	CERAMIC CHIP	0.22μF	10%	16V
C8525	1-128-996-11	ELECT CHIP	4.7μF	20%	50V	C8567	1-162-970-11	CERAMIC CHIP	0.01μF	10%	25V
C8526	1-137-190-91	FILM	0.22μF	5%	50V	C8568	1-127-715-91	CERAMIC CHIP	0.22μF	10%	16V
C8527	1-137-190-91	FILM	0.22μF	5%	50V	C8569	1-128-934-91	CERAMIC CHIP	0.33μF	20%	10V
C8528	1-128-398-11	ELECT CHIP	220μF	20%	16V	C8570	1-117-681-11	ELECT CHIP	100μF	20%	16V
C8529	1-162-970-11	CERAMIC CHIP	0.01μF	10%	25V	C8571	1-162-968-11	CERAMIC CHIP	0.0047μF	10%	50V
C8530	1-136-497-81	FILM	0.1μF	5%	50V	C8572	1-127-715-91	CERAMIC CHIP	0.22μF	10%	16V
C8531	1-128-357-11	ELECT CHIP	10μF	20%	16V	C8573	1-124-779-00	ELECT CHIP	10μF	20%	16V
C8532	1-128-357-11	ELECT CHIP	10μF	20%	16V	C8574	1-124-779-00	ELECT CHIP	10μF	20%	16V
C8533	1-162-970-11	CERAMIC CHIP	0.01μF	10%	25V	C8575	1-126-193-11	ELECT CHIP	1μF	20%	50V
C8534	1-162-970-11	CERAMIC CHIP	0.01μF	10%	25V	C8576	1-126-193-11	ELECT CHIP	1μF	20%	50V
C8535	1-162-970-11	CERAMIC CHIP	0.01μF	10%	25V	C8577	1-127-715-91	CERAMIC CHIP	0.22μF	10%	16V
C8536	1-164-227-11	CERAMIC CHIP	0.022μF	10%	25V	C8578	1-127-715-91	CERAMIC CHIP	0.22μF	10%	16V
C8537	1-164-227-11	CERAMIC CHIP	0.022μF	10%	25V	C8579	1-127-715-91	CERAMIC CHIP	0.22μF	10%	16V
C8538	1-162-970-11	CERAMIC CHIP	0.01μF	10%	25V	C8580	1-107-826-11	CERAMIC CHIP	0.1μF	10%	16V
C8539	1-164-172-11	CERAMIC CHIP	0.0056μF	10%	25V	C8581	1-127-715-91	CERAMIC CHIP	0.22μF	10%	16V
C8540	1-110-563-11	CERAMIC CHIP	0.068μF	10%	16V	C8582	1-127-715-91	CERAMIC CHIP	0.22μF	10%	16V
C8541	1-117-681-11	ELECT CHIP	100μF	20%	16V	C8583	1-126-767-11	ELECT	1000μF	20%	16V
C8542	1-117-681-11	ELECT CHIP	100μF	20%	16V	C8584	1-127-715-91	CERAMIC CHIP	0.22μF	10%	16V
C8543	1-136-175-00	FILM	0.68μF	5%	50V	C8585	1-126-767-11	ELECT	1000μF	20%	16V
C8544	1-117-681-11	ELECT CHIP	100μF	20%	16V	C8586	1-162-968-11	CERAMIC CHIP	0.0047μF	10%	50V
C8545	1-107-826-11	CERAMIC CHIP	0.1μF	10%	16V	C8587	1-162-970-11	CERAMIC CHIP	0.01μF	10%	25V
C8546	1-162-963-11	CERAMIC CHIP	680pF	10%	50V	C8588	1-128-996-11	ELECT CHIP	4.7μF	20%	50V
C8547	1-162-963-11	CERAMIC CHIP	680pF	10%	50V	C8589	1-107-826-11	CERAMIC CHIP	0.1μF	10%	16V
C8548	1-127-931-21	ELECT CHIP	470μF	20%	16V	C8590	1-126-193-11	ELECT CHIP	1μF	20%	50V
C8549	1-107-826-11	CERAMIC CHIP	0.1μF	10%	16V	C8591	1-162-968-11	CERAMIC CHIP	0.0047μF	10%	50V
C8550	1-165-908-11	CERAMIC CHIP	1μF	10%	10V	C8592	1-126-193-11	ELECT CHIP	1μF	20%	50V
C8551	1-165-908-11	CERAMIC CHIP	1μF	10%	10V	C8593	1-117-681-11	ELECT CHIP	100μF	20%	16V
C8552	1-165-908-11	CERAMIC CHIP	1μF	10%	10V	C8594	1-126-193-11	ELECT CHIP	1μF	20%	50V
C8553	1-165-908-11	CERAMIC CHIP	1μF	10%	10V	C8596	1-136-157-00	FILM	0.022μF	5%	50V
						C8597	1-136-167-00	FILM	0.15μF	5%	50V



REF. NO.	PART NO.	DESCRIPTION	VALUES	REF. NO.	PART NO.	DESCRIPTION	VALUES
C8598	1-130-471-00	MYLAR	0.001μF 5% 50V	D8006	8-719-977-28	DIODE	DTZ10B
C8599	1-126-193-11	ELECT CHIP	1μF 20% 50V	D8007	8-719-977-28	DIODE	DTZ10B
C8600	1-126-193-11	ELECT CHIP	1μF 20% 50V	D8008	8-719-977-28	DIODE	DTZ10B
C8601	1-126-193-11	ELECT CHIP	1μF 20% 50V	D8009	8-719-977-28	DIODE	DTZ10B
C8602	1-162-968-11	CERAMIC CHIP	0.0047μF 10% 50V	D8010	8-719-977-28	DIODE	DTZ10B
C8603	1-126-193-11	ELECT CHIP	1μF 20% 50V	D8011	8-719-977-28	DIODE	DTZ10B
C8604	1-130-471-00	MYLAR	0.001μF 5% 50V	D8023	8-719-158-02	DIODE	RD3.9SB2
C8605	1-162-968-11	CERAMIC CHIP	0.0047μF 10% 50V	D8200	8-719-041-97	DIODE	MA113-(TX)
C8606	1-162-970-11	CERAMIC CHIP	0.01μF 10% 25V	D8201	8-719-081-97	DIODE	MMDL914T1
C8609	1-128-357-11	ELECT CHIP	10μF 20% 16V	D8202	8-719-041-97	DIODE	MA113-(TX)
C8610	1-128-357-11	ELECT CHIP	10μF 20% 16V	D8203	8-719-977-28	DIODE	DTZ10B
C8611	1-124-779-00	ELECT CHIP	10μF 20% 16V	D8204	8-719-050-37	DIODE	M1MA152WA-T1
C8613	1-136-159-00	FILM	0.033μF 5% 50V	D8205	8-719-914-43	DIODE	DAN202K
C8614	1-107-826-11	CERAMIC CHIP	0.1μF 10% 16V	D8301	8-719-081-67	DIODE	M1FM3
C8616	1-128-994-21	ELECT CHIP	47μF 20% 10V	D8302	8-719-081-67	DIODE	M1FM3
C8617	1-117-681-11	ELECT CHIP	100μF 20% 16V	D8305	8-719-056-78	DIODE	UDZ-TE-17-4.3B
C8618	1-137-190-91	FILM	0.22μF 5% 50V	D8306	8-719-056-78	DIODE	UDZ-TE-17-4.3B
C8621	1-136-159-00	FILM	0.033μF 5% 50V	D8307	8-719-081-97	DIODE	MMDL914T1
C8622	1-137-190-91	FILM	0.22μF 5% 50V	D8308	8-719-081-97	DIODE	MMDL914T1
C8701	1-117-681-11	ELECT CHIP	100μF 20% 16V	D8501	8-719-071-74	DIODE	HZU11B1TRF
C8702	1-127-692-11	CERAMIC CHIP	10μF 10% 16V	D8701	8-719-080-41	DIODE	RB063L-30TE25
C8703	1-107-826-11	CERAMIC CHIP	0.1μF 10% 16V	D8702	6-500-294-01	DIODE	PTZ-TE25-3.9B
C8704	1-127-931-21	ELECT CHIP	470μF 20% 16V				
C8705	1-162-964-11	CERAMIC CHIP	0.001μF 10% 50V				
		CONNECTOR				FERRITE BEAD	
* CN8001	1-691-616-21	CONNECTOR, BOARD TO BOARD	15P	FB8003	1-414-228-11	FERRITE	0μH
* CN8002	1-580-974-11	CONNECTOR, BOARD TO BOARD		FB8004	1-216-295-91	SHORT CHIP	
* CN8003	1-818-749-11	PIN, CONNECTOR	16P	FB8005	1-216-295-91	SHORT CHIP	
* CN8004	1-818-748-11	PIN, CONNECTOR	14P	FB8006	1-216-295-91	SHORT CHIP	
* CN8005	1-816-958-11	PIN CONNECTOR (PLUG)	96P	FB8007	1-216-295-91	SHORT CHIP	
* CN8006	1-778-959-11	CONNECTOR, BOARD TO BOARD	6P	FB8012	1-414-233-22	FERRITE	0μH
* CN8008	1-785-532-11	PIN, CONNECTOR (PC BOARD)	14P	FB8013	1-414-233-22	FERRITE	0μH
* CN8009	1-564-507-11	PLUG, CONNECTOR	4P	FB8016	1-414-229-11	FERRITE	0μH
CN8039	1-695-915-11	TAB (CONTACT)		FB8017	1-414-229-11	FERRITE	0μH
CN8041	1-695-915-11	TAB (CONTACT)					
		DIODE				FILTER	
D8001	8-719-977-28	DIODE	DTZ10B	FL8001	1-239-848-21	FILTER, LOW PASS	
D8002	8-719-977-28	DIODE	DTZ10B	FL8002	1-239-848-21	FILTER, LOW PASS	
D8003	8-719-914-43	DIODE	DAN202K	FL8003	1-239-848-21	FILTER, LOW PASS	



REF. NO.	PART NO.	DESCRIPTION	VALUES	REF. NO.	PART NO.	DESCRIPTION	VALUES
<u>IC</u>				L8308	1-424-789-41	INDUCTOR	10μH
IC8001	8-753-204-12	IC	CXA2209Q-T6	L8309	1-424-789-41	INDUCTOR	10μH
IC8002	6-706-805-01	IC	TL52055DR	L8310	1-400-397-11	INDUCTOR	10μH
IC8200	8-759-278-58	IC	NJM4558V-TE2	L8311	1-412-005-11	INDUCTOR	8.2μH
IC8220	8-759-278-58	IC	NJM4558V-TE2	L8401	1-469-555-21	INDUCTOR	10μH
IC8301	8-752-394-69	IC	CXD2073Q-T4	L8501	1-469-555-21	INDUCTOR	10μH
IC8302	6-702-510-01	IC	TPS5120DBTR	L8502	1-400-397-11	INDUCTOR	10μH
IC8303	8-752-102-21	IC	CXA2103AQ	L8503	1-400-397-11	INDUCTOR	10μH
IC8501	6-700-393-01	IC	NJW1106FC2	L8504	1-414-187-11	INDUCTOR	47μH
IC8502	8-752-107-98	IC	CXA2188Q-T4	L8505	1-469-555-21	INDUCTOR	10μH
IC8503	8-759-578-49	IC	NJM2370U10-TE2	L8701	1-416-344-11	INDUCTOR	10μH
IC8504	6-702-716-01	IC	NJW1149	L8702	1-400-323-21	INDUCTOR	47μH
IC8505	8-759-278-58	IC	NJM4558V-TE2	<u>TRANSISTOR</u>			
IC8506	8-759-278-58	IC	NJM4558V-TE2	Q8001	8-729-010-05	TRANSISTOR	MSB709-RT1
IC8701	6-704-407-01	IC	PQ1CZ41H2ZPH	Q8002	8-729-010-25	TRANSISTOR	MSD601-RT1
<u>JACK</u>				Q8003	8-729-010-25	TRANSISTOR	MSD601-RT1
J8001	1-565-790-21	JACK, SMALL TYPE	2P	Q8004	8-729-010-05	TRANSISTOR	MSB709-RT1
* J8002	1-818-708-11	JACK, PIN	6P	Q8005	8-729-010-25	TRANSISTOR	MSD601-RT1
* J8004	1-818-709-11	PHONO JACK	6P	Q8006	8-729-010-25	TRANSISTOR	MSD601-RT1
<u>COIL</u>				Q8007	8-729-010-05	TRANSISTOR	MSB709-RT1
L8001	1-400-397-11	INDUCTOR	10μH	Q8008	8-729-010-05	TRANSISTOR	MSB709-RT1
L8002	1-400-397-11	INDUCTOR	10μH	Q8009	8-729-010-05	TRANSISTOR	MSB709-RT1
L8003	1-469-555-21	INDUCTOR	10μH	Q8010	8-729-010-05	TRANSISTOR	MSB709-RT1
L8004	1-469-320-21	INDUCTOR	100μH	Q8011	8-729-010-25	TRANSISTOR	MSD601-RT1
L8006	1-469-317-21	INDUCTOR	10μH	Q8012	8-729-010-05	TRANSISTOR	MSB709-RT1
L8008	1-469-320-21	INDUCTOR	100μH	Q8013	8-729-010-25	TRANSISTOR	MSD601-RT1
L8010	1-414-856-11	INDUCTOR	10μH	Q8015	8-729-122-63	TRANSISTOR	2SA1226-E4
L8011	1-414-856-11	INDUCTOR	10μH	Q8017	8-729-122-63	TRANSISTOR	2SA1226-E4
L8015	1-400-397-11	INDUCTOR	10μH	Q8022	8-729-122-63	TRANSISTOR	2SA1226-E4
L8016	1-400-397-11	INDUCTOR	10μH	Q8023	8-729-422-33	TRANSISTOR	2SD601A-Q-TX
L8017	1-414-856-11	INDUCTOR	10μH	Q8024	8-729-010-05	TRANSISTOR	MSB709-RT1
L8018	1-414-856-11	INDUCTOR	10μH	Q8026	8-729-010-25	TRANSISTOR	MSD601-RT1
L8019	1-414-856-11	INDUCTOR	10μH	Q8027	8-729-422-33	TRANSISTOR	2SD601A-Q-TX
L8301	1-400-397-11	INDUCTOR	10μH	Q8028	8-729-010-05	TRANSISTOR	MSB709-RT1
L8302	1-424-789-41	INDUCTOR	10μH	Q8029	8-729-216-22	TRANSISTOR	2SA1162-G
L8303	1-400-397-11	INDUCTOR	10μH	Q8030	8-729-216-22	TRANSISTOR	2SA1162-G
L8304	1-400-397-11	INDUCTOR	10μH	Q8031	8-729-010-05	TRANSISTOR	MSB709-RT1
L8305	1-424-789-41	INDUCTOR	10μH	Q8032	8-729-010-25	TRANSISTOR	MSD601-RT1
L8306	1-424-789-41	INDUCTOR	10μH	Q8033	8-729-010-25	TRANSISTOR	MSD601-RT1
L8307	1-400-397-11	INDUCTOR	10μH	Q8034	8-729-010-25	TRANSISTOR	MSD601-RT1
				Q8200	8-729-216-22	TRANSISTOR	2SA1162-G



REF. NO.	PART NO.	DESCRIPTION	VALUES			REF. NO.	PART NO.	DESCRIPTION	VALUES		
R8058	1-216-833-11	METAL CHIP	10K	5%	1/10W	R8105	1-216-809-11	METAL CHIP	100	5%	1/10W
R8059	1-216-821-11	METAL CHIP	1K	5%	1/10W	R8106	1-216-809-11	METAL CHIP	100	5%	1/10W
R8060	1-216-825-11	METAL CHIP	2.2K	5%	1/10W	R8107	1-216-809-11	METAL CHIP	100	5%	1/10W
R8061	1-216-824-11	METAL CHIP	1.8K	5%	1/10W	R8108	1-216-809-11	METAL CHIP	100	5%	1/10W
R8063	1-218-668-11	METAL CHIP	100	0.50%	1/10W	R8109	1-216-809-11	METAL CHIP	100	5%	1/10W
R8064	1-218-668-11	METAL CHIP	100	0.50%	1/10W	R8110	1-216-809-11	METAL CHIP	100	5%	1/10W
R8066	1-218-668-11	METAL CHIP	100	0.50%	1/10W	R8111	1-216-809-11	METAL CHIP	100	5%	1/10W
R8068	1-216-821-11	METAL CHIP	1K	5%	1/10W	R8112	1-216-809-11	METAL CHIP	100	5%	1/10W
R8069	1-216-833-11	METAL CHIP	10K	5%	1/10W	R8113	1-216-809-11	METAL CHIP	100	5%	1/10W
R8070	1-216-821-11	METAL CHIP	1K	5%	1/10W	R8114	1-216-809-11	METAL CHIP	100	5%	1/10W
R8071	1-216-809-11	METAL CHIP	100	5%	1/10W	R8115	1-216-809-11	METAL CHIP	100	5%	1/10W
R8072	1-216-843-11	METAL CHIP	68K	5%	1/10W	R8117	1-216-861-11	METAL CHIP	2.2M	5%	1/10W
R8073	1-216-857-11	METAL CHIP	1M	5%	1/10W	R8119	1-216-864-11	SHORT CHIP			
R8074	1-218-889-11	METAL CHIP	56K	0.50%	1/10W	R8120	1-216-864-11	SHORT CHIP			
R8075	1-216-829-11	METAL CHIP	4.7K	5%	1/10W	R8121	1-216-864-11	SHORT CHIP			
R8076	1-216-821-11	METAL CHIP	1K	5%	1/10W	R8122	1-216-821-11	METAL CHIP	1K	5%	1/10W
R8077	1-216-813-11	METAL CHIP	220	5%	1/10W	R8123	1-216-821-11	METAL CHIP	1K	5%	1/10W
R8078	1-216-801-11	METAL CHIP	22	5%	1/10W	R8124	1-216-821-11	METAL CHIP	1K	5%	1/10W
R8079	1-216-801-11	METAL CHIP	22	5%	1/10W	R8126	1-216-825-11	METAL CHIP	2.2K	5%	1/10W
R8080	1-216-809-11	METAL CHIP	100	5%	1/10W	R8127	1-216-801-11	METAL CHIP	22	5%	1/10W
R8081	1-216-809-11	METAL CHIP	100	5%	1/10W	R8128	1-216-801-11	METAL CHIP	22	5%	1/10W
R8082	1-216-833-11	METAL CHIP	10K	5%	1/10W	R8130	1-216-864-11	SHORT CHIP			
R8083	1-216-809-11	METAL CHIP	100	5%	1/10W	R8131	1-216-809-11	METAL CHIP	100	5%	1/10W
R8084	1-216-843-11	METAL CHIP	68K	5%	1/10W	R8137	1-216-829-11	METAL CHIP	4.7K	5%	1/10W
R8085	1-216-809-11	METAL CHIP	100	5%	1/10W	R8138	1-216-833-11	METAL CHIP	10K	5%	1/10W
R8086	1-216-809-11	METAL CHIP	100	5%	1/10W	R8139	1-216-839-11	METAL CHIP	33K	5%	1/10W
R8087	1-216-809-11	METAL CHIP	100	5%	1/10W	R8140	1-216-837-11	METAL CHIP	22K	5%	1/10W
R8088	1-216-809-11	METAL CHIP	100	5%	1/10W	R8141	1-216-847-11	METAL CHIP	150K	5%	1/10W
R8089	1-216-809-11	METAL CHIP	100	5%	1/10W	R8142	1-216-833-11	METAL CHIP	10K	5%	1/10W
R8091	1-216-821-11	METAL CHIP	1K	5%	1/10W	R8143	1-216-825-11	METAL CHIP	2.2K	5%	1/10W
R8092	1-216-809-11	METAL CHIP	100	5%	1/10W	R8144	1-218-678-11	METAL CHIP	270	0.50%	1/10W
R8093	1-216-809-11	METAL CHIP	100	5%	1/10W	R8145	1-218-678-11	METAL CHIP	270	0.50%	1/10W
R8094	1-216-809-11	METAL CHIP	100	5%	1/10W	R8146	1-218-678-11	METAL CHIP	270	0.50%	1/10W
R8095	1-216-833-11	METAL CHIP	10K	5%	1/10W	R8147	1-218-678-11	METAL CHIP	270	0.50%	1/10W
R8096	1-216-809-11	METAL CHIP	100	5%	1/10W	R8148	1-218-678-11	METAL CHIP	270	0.50%	1/10W
R8097	1-216-809-11	METAL CHIP	100	5%	1/10W	R8149	1-218-678-11	METAL CHIP	270	0.50%	1/10W
R8098	1-216-809-11	METAL CHIP	100	5%	1/10W	R8150	1-216-857-11	METAL CHIP	1M	5%	1/10W
R8099	1-216-809-11	METAL CHIP	100	5%	1/10W	R8151	1-216-847-11	METAL CHIP	150K	5%	1/10W
R8100	1-216-809-11	METAL CHIP	100	5%	1/10W	R8152	1-216-823-11	METAL CHIP	1.5K	5%	1/10W
R8101	1-216-809-11	METAL CHIP	100	5%	1/10W	R8153	1-216-825-11	METAL CHIP	2.2K	5%	1/10W
R8102	1-216-809-11	METAL CHIP	100	5%	1/10W	R8155	1-216-845-11	METAL CHIP	100K	5%	1/10W
R8103	1-216-809-11	METAL CHIP	100	5%	1/10W	R8156	1-216-849-11	METAL CHIP	220K	5%	1/10W
R8104	1-216-809-11	METAL CHIP	100	5%	1/10W						



REF. NO.	PART NO.	DESCRIPTION	VALUES			REF. NO.	PART NO.	DESCRIPTION	VALUES		
R8158	1-216-833-11	METAL CHIP	10K	5%	1/10W	R8228	1-216-832-11	METAL CHIP	8.2K	5%	1/10W
R8159	1-216-849-11	METAL CHIP	220K	5%	1/10W	R8229	1-216-822-11	METAL CHIP	1.2K	5%	1/10W
R8161	1-216-849-11	METAL CHIP	220K	5%	1/10W						
R8162	1-216-813-11	METAL CHIP	220	5%	1/10W	R8230	1-216-864-11	SHORT CHIP			
R8163	1-216-845-11	METAL CHIP	100K	5%	1/10W	R8231	1-216-841-11	METAL CHIP	47K	5%	1/10W
						R8233	1-216-830-11	METAL CHIP	5.6K	5%	1/10W
R8165	1-216-841-11	METAL CHIP	47K	5%	1/10W	R8234	1-216-816-11	METAL CHIP	390	5%	1/10W
R8167	1-216-833-11	METAL CHIP	10K	5%	1/10W	R8235	1-216-822-11	METAL CHIP	1.2K	5%	1/10W
R8168	1-216-829-11	METAL CHIP	4.7K	5%	1/10W						
R8171	1-216-833-11	METAL CHIP	10K	5%	1/10W	R8236	1-216-841-11	METAL CHIP	47K	5%	1/10W
R8172	1-216-845-11	METAL CHIP	100K	5%	1/10W	R8238	1-216-830-11	METAL CHIP	5.6K	5%	1/10W
						R8239	1-216-816-11	METAL CHIP	390	5%	1/10W
R8173	1-216-833-11	METAL CHIP	10K	5%	1/10W	R8240	1-216-864-11	SHORT CHIP			
R8176	1-216-864-11	SHORT CHIP				R8241	1-216-864-11	SHORT CHIP			
R8178	1-216-857-11	METAL CHIP	1M	5%	1/10W						
R8179	1-216-847-11	METAL CHIP	150K	5%	1/10W	R8242	1-216-829-11	METAL CHIP	4.7K	5%	1/10W
R8182	1-216-825-11	METAL CHIP	2.2K	5%	1/10W	R8243	1-216-829-11	METAL CHIP	4.7K	5%	1/10W
						R8244	1-216-835-11	METAL CHIP	15K	5%	1/10W
R8190	1-216-809-11	METAL CHIP	100	5%	1/10W	R8245	1-216-835-11	METAL CHIP	15K	5%	1/10W
R8191	1-216-809-11	METAL CHIP	100	5%	1/10W	R8246	1-216-835-11	METAL CHIP	15K	5%	1/10W
R8200	1-216-864-11	SHORT CHIP									
R8201	1-216-833-11	METAL CHIP	10K	5%	1/10W	R8247	1-216-835-11	METAL CHIP	15K	5%	1/10W
R8202	1-216-864-11	SHORT CHIP				R8248	1-216-827-11	METAL CHIP	3.3K	5%	1/10W
						R8249	1-216-827-11	METAL CHIP	3.3K	5%	1/10W
R8203	1-216-836-11	METAL CHIP	18K	5%	1/10W	R8250	1-216-864-11	SHORT CHIP			
R8204	1-216-838-11	METAL CHIP	27K	5%	1/10W	R8251	1-216-864-11	SHORT CHIP			
R8205	1-216-841-11	METAL CHIP	47K	5%	1/10W						
R8206	1-216-864-11	SHORT CHIP				R8252	1-216-864-11	SHORT CHIP			
R8207	1-216-837-11	METAL CHIP	22K	5%	1/10W	R8254	1-218-676-11	METAL CHIP	220	0.50%	1/10W
						R8255	1-218-676-11	METAL CHIP	220	0.50%	1/10W
R8208	1-216-857-11	METAL CHIP	1M	5%	1/10W	R8256	1-218-676-11	METAL CHIP	220	0.50%	1/10W
R8209	1-216-830-11	METAL CHIP	5.6K	5%	1/10W	R8257	1-218-676-11	METAL CHIP	220	0.50%	1/10W
R8210	1-218-867-11	METAL CHIP	6.8K	0.50%	1/10W						
R8211	1-216-821-11	METAL CHIP	1K	5%	1/10W	R8258	1-218-676-11	METAL CHIP	220	0.50%	1/10W
R8212	1-216-833-11	METAL CHIP	10K	5%	1/10W	R8259	1-218-676-11	METAL CHIP	220	0.50%	1/10W
						R8260	1-218-676-11	METAL CHIP	220	0.50%	1/10W
R8213	1-216-833-11	METAL CHIP	10K	5%	1/10W	R8261	1-218-676-11	METAL CHIP	220	0.50%	1/10W
R8214	1-216-828-11	METAL CHIP	3.9K	5%	1/10W	R8262	1-218-676-11	METAL CHIP	220	0.50%	1/10W
R8215	1-216-829-11	METAL CHIP	4.7K	5%	1/10W						
R8216	1-216-828-11	METAL CHIP	3.9K	5%	1/10W	R8263	1-218-676-11	METAL CHIP	220	0.50%	1/10W
R8217	1-216-809-11	METAL CHIP	100	5%	1/10W	R8264	1-218-676-11	METAL CHIP	220	0.50%	1/10W
						R8265	1-218-676-11	METAL CHIP	220	0.50%	1/10W
R8218	1-216-829-11	METAL CHIP	4.7K	5%	1/10W	R8269	1-216-809-11	METAL CHIP	100	5%	1/10W
R8219	1-216-809-11	METAL CHIP	100	5%	1/10W	R8275	1-216-803-11	METAL CHIP	33	5%	1/10W
R8220	1-216-864-11	SHORT CHIP									
R8223	1-216-864-11	SHORT CHIP				R8276	1-216-825-11	METAL CHIP	2.2K	5%	1/10W
R8224	1-216-848-11	METAL CHIP	180K	5%	1/10W	R8277	1-216-805-11	METAL CHIP	47	5%	1/10W
						R8278	1-216-805-11	METAL CHIP	47	5%	1/10W
R8225	1-216-832-11	METAL CHIP	8.2K	5%	1/10W	R8279	1-216-805-11	METAL CHIP	47	5%	1/10W
R8226	1-216-864-11	SHORT CHIP				R8280	1-216-805-11	METAL CHIP	47	5%	1/10W
R8227	1-216-848-11	METAL CHIP	180K	5%	1/10W						



REF. NO.	PART NO.	DESCRIPTION	VALUES			REF. NO.	PART NO.	DESCRIPTION	VALUES		
R8281	1-216-805-11	METAL CHIP	47	5%	1/10W	R8343	1-216-821-11	METAL CHIP	1K	5%	1/10W
R8282	1-216-805-11	METAL CHIP	47	5%	1/10W	R8344	1-216-817-11	METAL CHIP	470	5%	1/10W
R8301	1-216-809-11	METAL CHIP	100	5%	1/10W	R8345	1-216-817-11	METAL CHIP	470	5%	1/10W
R8302	1-216-821-11	METAL CHIP	1K	5%	1/10W	R8346	1-218-841-11	METAL CHIP	560	0.50%	1/10W
R8303	1-218-841-11	METAL CHIP	560	0.50%	1/10W	R8347	1-218-867-11	METAL CHIP	6.8K	0.50%	1/10W
R8304	1-216-846-11	METAL CHIP	120K	5%	1/10W	R8348	1-216-797-11	METAL CHIP	10	5%	1/10W
R8305	1-218-864-11	METAL CHIP	5.1K	0.50%	1/10W	R8349	1-218-841-11	METAL CHIP	560	0.50%	1/10W
R8306	1-218-841-11	METAL CHIP	560	0.50%	1/10W	R8350	1-216-825-11	METAL CHIP	2.2K	5%	1/10W
R8307	1-216-845-11	METAL CHIP	100K	5%	1/10W	R8351	1-218-867-11	METAL CHIP	6.8K	0.50%	1/10W
R8308	1-216-845-11	METAL CHIP	100K	5%	1/10W	R8352	1-218-865-11	METAL CHIP	5.6K	0.50%	1/10W
R8309	1-216-850-11	METAL CHIP	270K	5%	1/10W	R8353	1-218-865-11	METAL CHIP	5.6K	0.50%	1/10W
R8310	1-218-841-11	METAL CHIP	560	0.50%	1/10W	R8354	1-216-817-11	METAL CHIP	470	5%	1/10W
R8311	1-216-821-11	METAL CHIP	1K	5%	1/10W	R8355	1-216-817-11	METAL CHIP	470	5%	1/10W
R8312	1-218-716-11	METAL CHIP	10K	0.50%	1/10W	R8356	1-216-835-11	METAL CHIP	15K	5%	1/10W
R8313	1-218-716-11	METAL CHIP	10K	0.50%	1/10W	R8357	1-216-821-11	METAL CHIP	1K	5%	1/10W
R8314	1-216-821-11	METAL CHIP	1K	5%	1/10W	R8358	1-216-821-11	METAL CHIP	1K	5%	1/10W
R8315	1-218-889-11	METAL CHIP	56K	0.50%	1/10W	R8360	1-216-821-11	METAL CHIP	1K	5%	1/10W
R8316	1-216-819-11	METAL CHIP	680	5%	1/10W	R8361	1-216-833-11	METAL CHIP	10K	5%	1/10W
R8317	1-216-819-11	METAL CHIP	680	5%	1/10W	R8362	1-216-828-11	METAL CHIP	3.9K	5%	1/10W
R8318	1-216-815-11	METAL CHIP	330	5%	1/10W	R8363	1-216-864-11	SHORT CHIP			
R8319	1-218-704-11	METAL CHIP	3.3K	0.50%	1/10W	R8364	1-216-864-11	SHORT CHIP			
R8320	1-216-815-11	METAL CHIP	330	5%	1/10W	R8365	1-216-864-11	SHORT CHIP			
R8321	1-218-704-11	METAL CHIP	3.3K	0.50%	1/10W	R8366	1-216-809-11	METAL CHIP	100	5%	1/10W
R8322	1-218-726-11	METAL CHIP	27K	0.50%	1/10W	R8367	1-216-809-11	METAL CHIP	100	5%	1/10W
R8323	1-218-722-11	METAL CHIP	18K	0.50%	1/10W	R8368	1-216-801-11	METAL CHIP	22	5%	1/10W
R8324	1-216-811-11	METAL CHIP	150	5%	1/10W	R8369	1-216-801-11	METAL CHIP	22	5%	1/10W
R8325	1-216-821-11	METAL CHIP	1K	5%	1/10W	R8370	1-216-789-11	METAL CHIP	2.2	5%	1/10W
R8326	1-216-821-11	METAL CHIP	1K	5%	1/10W	R8406	1-216-864-11	SHORT CHIP			
R8327	1-216-812-11	METAL CHIP	180	5%	1/10W	R8407	1-216-821-11	METAL CHIP	1K	5%	1/10W
R8328	1-218-859-11	METAL CHIP	3.3K	0.50%	1/10W	R8408	1-216-864-11	SHORT CHIP			
R8329	1-216-825-11	METAL CHIP	2.2K	5%	1/10W	R8410	1-216-821-11	METAL CHIP	1K	5%	1/10W
R8330	1-216-839-11	METAL CHIP	33K	5%	1/10W	R8411	1-216-801-11	METAL CHIP	22	5%	1/10W
R8331	1-216-837-11	METAL CHIP	22K	5%	1/10W	R8412	1-216-825-11	METAL CHIP	2.2K	5%	1/10W
R8332	1-218-855-11	METAL CHIP	2.2K	0.50%	1/10W	R8413	1-216-801-11	METAL CHIP	22	5%	1/10W
R8333	1-218-859-11	METAL CHIP	3.3K	0.50%	1/10W	R8414	1-216-821-11	METAL CHIP	1K	5%	1/10W
R8334	1-216-864-11	SHORT CHIP				R8415	1-216-811-11	METAL CHIP	150	5%	1/10W
R8336	1-216-839-11	METAL CHIP	33K	5%	1/10W	R8436	1-216-825-11	METAL CHIP	2.2K	5%	1/10W
R8337	1-216-837-11	METAL CHIP	22K	5%	1/10W	R8437	1-216-825-11	METAL CHIP	2.2K	5%	1/10W
R8338	1-216-809-11	METAL CHIP	100	5%	1/10W	R8438	1-216-833-11	METAL CHIP	10K	5%	1/10W
R8339	1-216-845-11	METAL CHIP	100K	5%	1/10W	R8439	1-216-825-11	METAL CHIP	2.2K	5%	1/10W
R8340	1-216-809-11	METAL CHIP	100	5%	1/10W	R8440	1-216-825-11	METAL CHIP	2.2K	5%	1/10W
R8341	1-216-797-11	METAL CHIP	10	5%	1/10W	R8441	1-216-833-11	METAL CHIP	10K	5%	1/10W
R8342	1-216-821-11	METAL CHIP	1K	5%	1/10W						



REF. NO.	PART NO.	DESCRIPTION	VALUES			REF. NO.	PART NO.	DESCRIPTION	VALUES		
R8442	1-216-825-11	METAL CHIP	2.2K	5%	1/10W	R8546	1-216-864-11	SHORT CHIP			
R8443	1-216-833-11	METAL CHIP	10K	5%	1/10W	R8547	1-216-823-11	METAL CHIP	1.5K	5%	1/10W
R8501	1-216-851-11	METAL CHIP	330K	5%	1/10W						
R8502	1-216-835-11	METAL CHIP	15K	5%	1/10W	R8548	1-216-825-11	METAL CHIP	2.2K	5%	1/10W
R8503	1-216-835-11	METAL CHIP	15K	5%	1/10W	R8550	1-216-825-11	METAL CHIP	2.2K	5%	1/10W
						R8551	1-216-827-11	METAL CHIP	3.3K	5%	1/10W
R8504	1-216-861-11	METAL CHIP	2.2M	5%	1/10W	R8552	1-216-827-11	METAL CHIP	3.3K	5%	1/10W
R8505	1-216-845-11	METAL CHIP	100K	5%	1/10W	R8553	1-216-825-11	METAL CHIP	2.2K	5%	1/10W
R8506	1-216-861-11	METAL CHIP	2.2M	5%	1/10W						
R8507	1-218-867-11	METAL CHIP	6.8K	0.50%	1/10W	R8554	1-218-867-11	METAL CHIP	6.8K	0.50%	1/10W
R8508	1-216-841-11	METAL CHIP	47K	5%	1/10W	R8555	1-216-825-11	METAL CHIP	2.2K	5%	1/10W
						R8556	1-216-821-11	METAL CHIP	1K	5%	1/10W
R8509	1-218-867-11	METAL CHIP	6.8K	0.50%	1/10W	R8558	1-216-825-11	METAL CHIP	2.2K	5%	1/10W
R8510	1-216-841-11	METAL CHIP	47K	5%	1/10W	R8560	1-216-821-11	METAL CHIP	1K	5%	1/10W
R8511	1-216-837-11	METAL CHIP	22K	5%	1/10W						
R8512	1-216-837-11	METAL CHIP	22K	5%	1/10W	R8561	1-216-825-11	METAL CHIP	2.2K	5%	1/10W
R8513	1-218-867-11	METAL CHIP	6.8K	0.50%	1/10W	R8562	1-216-825-11	METAL CHIP	2.2K	5%	1/10W
						R8563	1-216-825-11	METAL CHIP	2.2K	5%	1/10W
R8514	1-218-867-11	METAL CHIP	6.8K	0.50%	1/10W	R8564	1-216-827-11	METAL CHIP	3.3K	5%	1/10W
R8518	1-216-841-11	METAL CHIP	47K	5%	1/10W	R8565	1-216-827-11	METAL CHIP	3.3K	5%	1/10W
R8519	1-216-845-11	METAL CHIP	100K	5%	1/10W						
R8520	1-216-801-11	METAL CHIP	22	5%	1/10W	R8566	1-216-825-11	METAL CHIP	2.2K	5%	1/10W
R8521	1-216-841-11	METAL CHIP	47K	5%	1/10W	R8567	1-216-825-11	METAL CHIP	2.2K	5%	1/10W
						R8568	1-216-864-11	SHORT CHIP			
R8522	1-216-801-11	METAL CHIP	22	5%	1/10W	R8569	1-216-864-11	SHORT CHIP			
R8523	1-216-833-11	METAL CHIP	10K	5%	1/10W	R8570	1-218-292-11	METAL CHIP	20K	5%	1/10W
R8524	1-216-835-11	METAL CHIP	15K	5%	1/10W						
R8525	1-216-857-11	METAL CHIP	1M	5%	1/10W	R8571	1-216-823-11	METAL CHIP	1.5K	5%	1/10W
R8526	1-216-864-11	SHORT CHIP				R8572	1-216-823-11	METAL CHIP	1.5K	5%	1/10W
						R8573	1-218-292-11	METAL CHIP	20K	5%	1/10W
R8527	1-216-864-11	SHORT CHIP				R8574	1-216-835-11	METAL CHIP	15K	5%	1/10W
R8528	1-216-833-11	METAL CHIP	10K	5%	1/10W	R8575	1-216-835-11	METAL CHIP	15K	5%	1/10W
R8529	1-216-851-11	METAL CHIP	330K	5%	1/10W						
R8530	1-216-809-11	METAL CHIP	100	5%	1/10W	R8576	1-216-801-11	METAL CHIP	22	5%	1/10W
R8531	1-216-809-11	METAL CHIP	100	5%	1/10W	R8577	1-216-801-11	METAL CHIP	22	5%	1/10W
						R8578	1-218-292-11	METAL CHIP	20K	5%	1/10W
R8532	1-216-801-11	METAL CHIP	22	5%	1/10W	R8579	1-216-829-11	METAL CHIP	4.7K	5%	1/10W
R8533	1-216-801-11	METAL CHIP	22	5%	1/10W	R8580	1-216-829-11	METAL CHIP	4.7K	5%	1/10W
R8534	1-216-864-11	SHORT CHIP									
R8535	1-216-837-11	METAL CHIP	22K	5%	1/10W	R8581	1-218-292-11	METAL CHIP	20K	5%	1/10W
R8537	1-216-836-11	METAL CHIP	18K	5%	1/10W	R8582	1-216-828-11	METAL CHIP	3.9K	5%	1/10W
						R8583	1-216-864-11	SHORT CHIP			
R8538	1-216-833-11	METAL CHIP	10K	5%	1/10W	R8584	1-216-825-11	METAL CHIP	2.2K	5%	1/10W
R8539	1-216-835-11	METAL CHIP	15K	5%	1/10W	R8585	1-216-828-11	METAL CHIP	3.9K	5%	1/10W
R8540	1-218-867-11	METAL CHIP	6.8K	0.50%	1/10W						
R8541	1-216-833-11	METAL CHIP	10K	5%	1/10W	R8587	1-216-827-11	METAL CHIP	3.3K	5%	1/10W
R8542	1-216-835-11	METAL CHIP	15K	5%	1/10W	R8588	1-218-867-11	METAL CHIP	6.8K	0.50%	1/10W
						R8589	1-216-864-11	SHORT CHIP			
R8543	1-216-825-11	METAL CHIP	2.2K	5%	1/10W	R8590	1-216-837-11	METAL CHIP	22K	5%	1/10W
R8544	1-216-825-11	METAL CHIP	2.2K	5%	1/10W	R8591	1-216-825-11	METAL CHIP	2.2K	5%	1/10W
R8545	1-216-823-11	METAL CHIP	1.5K	5%	1/10W						

NOTE: The components identified by shading and \triangle mark are critical for safety. Replace only with part number specified.

NOTE: Les composants identifiés par un trame et une marque \triangle sont critiques pour la sécurité. Ne les remplacer que par une pièce portant le numéro spécifique.



REF. NO.	PART NO.	DESCRIPTION	VALUES	REF. NO.	PART NO.	DESCRIPTION	VALUES	
WIRE PIN				PHOTO COUPLER				
*	CLP1900	4-042-408-02	PIN(45), WIRE	\triangle	PH1901	8-749-924-35	PHOTO COUPLER ON3171-R	
				\triangle	PH1902	8-749-924-35	PHOTO COUPLER ON3171-R	
CONNECTOR				RESISTOR				
\triangle *	CN1900	1-580-843-11	PIN, CONNECTOR (POWER)	\triangle	R1900	1-247-289-00	METAL 8.2M 5% 1W	
	CN1902	1-695-915-11	TAB (CONTACT)		R1903	1-219-759-11	METAL 1M 5% 1/2W	
	CN1903	1-695-915-11	TAB (CONTACT)		R1904	1-249-389-11	CARBON 4.7 5% 1/4W	
	CN1906	1-695-915-11	TAB (CONTACT)		R1905	1-216-150-91	RES-CHIP 10 5% 1/8W	
\triangle *	CN1909	1-580-689-31	PIN, CONNECTOR (PC BOARD) 4P		R1906	1-216-150-91	RES-CHIP 10 5% 1/8W	
DIODE					R1907	1-216-150-91	RES-CHIP 10 5% 1/8W	
	D1900	8-719-077-76	DIODE D2SB60A-F04		R1908	1-216-150-91	RES-CHIP 10 5% 1/8W	
	D1906	8-719-069-55	DIODE UDZSTE-175.6B		R1909	1-218-642-11	METAL OXIDE 100K 5% 1W	
	D1907	6-500-849-01	DIODE ERA22-08KFLB		R1910	1-216-864-11	SHORT CHIP	
	D1908	8-719-404-50	DIODE MA111-TX		R1911	1-249-393-11	CARBON 10 5% 1/4W	
	D1909	6-500-567-31	DIODE 10ERB20-TB3		R1913	1-202-962-11	CEMENTED 3.3 5% 10W	
	D1911	8-719-948-45	DIODE ERA22-08		R1914	1-216-864-11	SHORT CHIP	
	D1912	8-719-028-45	DIODE D2L20U		R1915	1-260-328-11	CARBON 1K 5% 1/2W	
	D1913	8-719-404-50	DIODE MA111-TX		R1916	1-216-829-11	METAL CHIP 4.7K 5% 1/10W	
	D1914	8-719-080-75	DIODE M1FL20U-4063		R1917	1-249-389-11	CARBON 4.7 5% 1/4W	
FUSE					R1918	1-216-821-11	METAL CHIP 1K 5% 1/10W	
\triangle	F1900	1-576-193-11	FUSE 6.3A 125V		R1919	1-216-817-11	METAL CHIP 470 5% 1/10W	
FERRITE BEAD					R1920	1-216-864-11	SHORT CHIP	
	FB1900	1-469-869-21	FERRITE 0 μ H		R1921	1-216-829-11	METAL CHIP 4.7K 5% 1/10W	
FUSE HOLDER					R1922	1-216-821-11	METAL CHIP 1K 5% 1/10W	
\triangle	FH1900	1-533-223-11	FUSE HOLDER 0A 0V		R1923	1-216-839-11	METAL CHIP 33K 5% 1/10W	
\triangle	FH1901	1-533-223-11	FUSE HOLDER 0A 0V		R1925	1-218-708-11	METAL CHIP 4.7K 0.50% 1/10W	
IC					R1926	1-218-709-11	METAL CHIP 5.1K 0.50% 1/10W	
	IC1900	6-600-279-01	IC STR-A6169		R1927	1-249-389-11	CARBON 4.7 5% 1/4W	
	IC1901	8-759-682-42	IC MM1431ATT	RELAY				
COIL					\triangle	RY1900	1-755-388-11	RELAY (AC POWER)
	L1900	1-412-537-31	INDUCTOR 100 μ H		\triangle	RY1901	1-755-388-11	RELAY (AC POWER)
				TRANSFORMER				
				\triangle	T1900	1-456-859-11	LINE FILTER COIL	
				\triangle	T1901	1-456-859-11	LINE FILTER COIL	
				\triangle	T1902	1-443-312-11	TRANSFORMER, CONVERTER (SBT)	

NOTE: The components identified by shading and \triangle mark are critical for safety. Replace only with part number specified.

NOTE: Les composants identifiés par un triangle et une marque \triangle sont critiques pour la sécurité. Ne les remplacer que par une pièce portant le numéro spécifique.

F G1

REF. NO.	PART NO.	DESCRIPTION	VALUES	REF. NO.	PART NO.	DESCRIPTION	VALUES
THERMISTOR							
\triangle TH1901	1-803-586-41	THERMISTOR		C1652	1-162-970-11	CERAMIC CHIP	0.01 μ F 10% 25V
VARISTOR							
\triangle VD1901	1-804-992-21	VARISTOR		C1653	1-100-831-91	CERAMIC CHIP	0.001 μ F 2% 50V
VD1902	1-804-992-21	VARISTOR		C1655	1-107-906-11	ELECT	10 μ F 20% 50V
				C1657	1-162-970-11	CERAMIC CHIP	0.01 μ F 10% 25V
				C1658	1-136-497-81	FILM	0.1 μ F 5% 50V
				C1659	1-107-888-11	ELECT	47 μ F 20% 25V
				C1660	1-107-826-11	CERAMIC CHIP	0.1 μ F 10% 16V
				C1661	1-107-824-11	CERAMIC	220pF 5% 1KV
				C1662	1-107-824-11	CERAMIC	220pF 5% 1KV
				C1663	1-165-954-11	FILM	56000pF 3% 800V
				C1664	1-107-894-11	ELECT	220 μ F 20% 35V
				C1665	1-107-905-11	ELECT	4.7 μ F 20% 50V
				C1668	1-107-905-11	ELECT	4.7 μ F 20% 50V
				C1669	1-107-826-11	CERAMIC CHIP	0.1 μ F 10% 16V
				C1670	1-162-970-11	CERAMIC CHIP	0.01 μ F 10% 25V
				C1671	1-126-967-11	ELECT	47 μ F 20% 50V
				C1673	1-165-733-31	ELECT	100 μ F 20% 25V
				\triangle C1674	1-165-530-31	MYLAR	0.47 μ F 10 0V
				C1676	1-137-921-31	ELECT	1500 μ F 20% 10V
				C1677	1-131-975-11	ELECT	1200 μ F 20% 10V
				C1678	1-128-951-31	ELECT	2200 μ F 20% 16V
				C1679	1-128-950-31	ELECT	1000 μ F 20% 16V
				C1680	1-128-582-11	ELECT	10 μ F 20% 100V
				C1681	1-137-190-91	FILM	0.22 μ F 5% 50V
				C1683	1-126-768-11	ELECT	2200 μ F 20% 16V
				C1684	1-126-767-11	ELECT	1000 μ F 20% 16V
				C1687	1-162-964-11	CERAMIC CHIP	0.001 μ F 10% 50V
				C1688	1-162-964-11	CERAMIC CHIP	0.001 μ F 10% 50V
				C1689	1-162-964-11	CERAMIC CHIP	0.001 μ F 10% 50V
				C1694	1-128-955-31	ELECT	2200 μ F 20% 25V
				C1695	1-162-964-11	CERAMIC CHIP	0.001 μ F 10% 50V
				\triangle C1706	1-137-750-11	ELECT	1500 μ F 20% 250V
				\triangle C1707	1-137-750-11	ELECT	1500 μ F 20% 250V
				C1712	1-100-714-11	ELECT	100 μ F 20% 400V
				C1713	1-100-714-11	ELECT	100 μ F 20% 400V
				C1714	1-161-830-00	CERAMIC	0.0047 μ F 500V
				C1715	1-126-964-11	ELECT	10 μ F 20% 50V
				C1716	1-128-581-11	ELECT	4.7 μ F 20% 100V
				C1717	1-137-190-91	FILM	0.22 μ F 5% 50V
				WIRE PIN			
				* CLP1600	4-042-408-02	PIN(45), WIRE	
CAPACITOR							
C1600	1-137-639-21	MYLAR	0.47 μ F 10% 450V				
C1601	1-162-964-11	CERAMIC CHIP	0.001 μ F 10% 50V				
C1602	1-126-967-11	ELECT	47 μ F 20% 50V				
C1604	1-126-959-11	ELECT	0.47 μ F 20% 50V				
C1605	1-126-964-11	ELECT	10 μ F 20% 50V				
C1606	1-162-970-11	CERAMIC CHIP	0.01 μ F 10% 25V				
C1607	1-100-831-91	CERAMIC CHIP	0.001 μ F 2% 50V				
C1608	1-162-970-11	CERAMIC CHIP	0.01 μ F 10% 25V				
C1609	1-136-497-81	FILM	0.1 μ F 5% 50V				
C1610	1-126-947-11	ELECT	47 μ F 20% 35V				
C1614	1-117-219-11	CERAMIC	68pF 5% 1KV				
C1615	1-117-219-11	CERAMIC	68pF 5% 1KV				
C1616	1-100-624-11	FILM	4700pF 3% 800V				
C1617	1-126-968-11	ELECT	100 μ F 20% 50V				
C1618	1-135-372-31	ELECT	470 μ F 20% 10V				
C1620	1-128-951-31	ELECT	2200 μ F 20% 16V				
C1621	1-126-933-11	ELECT	100 μ F 20% 16V				
C1623	1-162-970-11	CERAMIC CHIP	0.01 μ F 10% 25V				
C1624	1-126-935-11	ELECT	470 μ F 20% 16V				
C1627	1-126-933-11	ELECT	100 μ F 20% 16V				
\triangle C1629	1-161-964-91	CERAMIC	0.0047 μ F 250V				
\triangle C1630	1-161-964-91	CERAMIC	0.0047 μ F 250V				
\triangle C1631	1-161-964-91	CERAMIC	0.0047 μ F 250V				
\triangle C1632	1-161-964-91	CERAMIC	0.0047 μ F 250V				
C1647	1-107-826-11	CERAMIC CHIP	0.1 μ F 10% 16V				
C1649	1-162-970-11	CERAMIC CHIP	0.01 μ F 10% 25V				
C1650	1-107-909-11	ELECT	47 μ F 20% 50V				
C1651	1-107-904-11	ELECT	3.3 μ F 20% 50V				

NOTE: The components identified by shading and \triangle mark are critical for safety. Replace only with part number specified.

NOTE: Les composants identifiés par un trame et une marque \triangle sont critiques pour la sécurité. Ne les remplacer que par une pièce portant le numéro spécifique.

REF. NO.	PART NO.	DESCRIPTION	VALUES	REF. NO.	PART NO.	DESCRIPTION	VALUES		
CONNECTOR									
\triangle *	CN1601	1-580-689-11	PIN, CONNECTOR (PC BOARD)	4P	D1645	8-719-064-49	DIODE	D4SBL40	
*	CN1602	1-691-960-21	PIN, CONNECTOR (PC BOARD)	3P	D1646	6-500-567-21	DIODE	10ERB20-TB5	
	CN1603	1-764-101-11	PIN, CONNECTOR (PC BOARD)	2P	D1647	8-719-983-37	DIODE	MTZJ-T-77-36A	
*	CN1605	1-793-923-11	CONNECTOR, DIN (PLUG)	64P	FERRITE BEAD				
	CN1607	1-695-915-11	TAB (CONTACT)		FB1600	1-410-397-21	FERRITE	1.1 μ H	
				FB1606	1-410-397-21	FERRITE	1.1 μ H		
DIODE									
	D1600	8-719-082-03	DIODE	MM3Z15VT1	IC				
	D1601	8-719-083-78	DIODE	10ERA60-TP	IC1600	6-705-810-01	IC	MCZ3001DB	
	D1602	8-719-082-03	DIODE	MM3Z15VT1	IC1601	8-759-586-17	IC	TL1431CZ-AP	
	D1603	8-719-082-03	DIODE	MM3Z15VT1	IC1602	8-759-470-65	IC	PQ05RD1B	
	D1604	8-719-082-03	DIODE	MM3Z15VT1	IC1606	6-705-810-01	IC	MCZ3001DB	
	D1605	8-719-082-03	DIODE	MM3Z15VT1	IC1607	8-759-682-42	IC	MM1431ATT	
	D1607	6-500-567-21	DIODE	10ERB20-TB5	IC1608	6-705-958-01	IC	PQ15RW21J00H	
	D1608	8-719-022-97	DIODE	D2S4 μ F	IC1609	6-705-958-01	IC	PQ15RW21J00H	
	D1609	8-719-510-12	DIODE	D10SC4M	COIL				
	D1610	8-719-068-71	DIODE	PTZ-TE25-13A	L1600	1-412-537-31	INDUCTOR	100 μ H	
\triangle	D1611	8-719-026-63	DIODE	D10XB60S	L1601	1-412-525-31	INDUCTOR	10 μ H	
	D1619	8-719-082-03	DIODE	MM3Z15VT1	L1602	1-406-659-11	INDUCTOR	10 μ H	
	D1620	8-719-082-03	DIODE	MM3Z15VT1	L1603	1-412-519-11	INDUCTOR	3.3 μ H	
	D1621	8-719-082-03	DIODE	MM3Z15VT1	L1607	1-412-525-31	INDUCTOR	10 μ H	
	D1622	8-719-979-64	DIODE	UF4005PKG23	L1611	1-412-525-31	INDUCTOR	10 μ H	
	D1623	8-719-082-03	DIODE	MM3Z15VT1	L1614	1-412-519-11	INDUCTOR	3.3 μ H	
	D1624	8-719-082-03	DIODE	MM3Z15VT1	L1616	1-406-983-11	INDUCTOR	1MH	
	D1625	8-719-081-97	DIODE	MMDL914T1	PHOTO COUPLER				
	D1626	6-500-567-31	DIODE	10ERB20-TB3	\triangle	PH1600	8-749-924-35	PHOTO COUPLER	ON3171-R
	D1627	8-719-081-97	DIODE	MMDL914T1	\triangle	PH1602	8-749-924-35	PHOTO COUPLER	ON3171-R
	D1629	8-719-028-45	DIODE	D2L20U	\triangle	PH1603	8-749-924-35	PHOTO COUPLER	ON3171-R
	D1630	8-719-510-12	DIODE	D10SC4M	TRANSISTOR				
	D1631	8-719-510-12	DIODE	D10SC4M	Q1600	8-729-052-29	TRANSISTOR	2SK2876-01MR-F122	
	D1632	8-719-404-50	DIODE	MA111-TX	Q1601	8-729-052-29	TRANSISTOR	2SK2876-01MR-F122	
	D1633	8-719-510-12	DIODE	D10SC4M	Q1602	8-729-140-96	TRANSISTOR	2SD774-34	
	D1634	8-719-510-12	DIODE	D10SC4M	Q1606	8-729-120-28	TRANSISTOR	2SC1623-L5L6	
	D1635	8-719-063-73	DIODE	D1NL20U-TR	Q1609	8-729-120-28	TRANSISTOR	2SC1623-L5L6	
	D1636	8-719-404-50	DIODE	MA111-TX	Q1612	8-729-120-28	TRANSISTOR	2SC1623-L5L6	
	D1637	8-719-404-50	DIODE	MA111-TX	Q1613	6-550-526-11	TRANSISTOR	2SK2842(LBS2SONY)	
	D1638	8-719-404-50	DIODE	MA111-TX					
	D1639	8-719-404-50	DIODE	MA111-TX					
\triangle	D1640	8-719-060-89	DIODE	D4SBS6-F					
	D1641	8-719-063-73	DIODE	D1NL20U-TR					
	D1643	8-719-068-00	DIODE	ERC04-06SE					
	D1644	8-719-068-00	DIODE	ERC04-06SE					




REF. NO.	PART NO.	DESCRIPTION	VALUES			REF. NO.	PART NO.	DESCRIPTION	VALUES		
R6102	1-216-864-11	SHORT CHIP				R6164	1-216-864-11	SHORT CHIP			
R6103	1-216-864-11	SHORT CHIP				R6165	1-216-864-11	SHORT CHIP			
R6105	1-216-864-11	SHORT CHIP									
R6106	1-216-864-11	SHORT CHIP				R6166	1-216-864-11	SHORT CHIP			
R6107	1-216-864-11	SHORT CHIP				R6170	1-216-833-11	METAL CHIP	10K	5%	1/10W
						R6176	1-216-797-11	METAL CHIP	10	5%	1/10W
R6108	1-216-864-11	SHORT CHIP				R6177	1-216-845-11	METAL CHIP	100K	5%	1/10W
R6110	1-216-814-11	METAL CHIP	270	5%	1/10W	R6178	1-216-845-11	METAL CHIP	100K	5%	1/10W
R6111	1-216-864-11	SHORT CHIP									
R6112	1-216-864-11	SHORT CHIP				R6179	1-216-821-11	METAL CHIP	1K	5%	1/10W
R6113	1-216-864-11	SHORT CHIP				R6180	1-218-867-11	METAL CHIP	6.8K	0.50%	1/10W
						R6181	1-216-864-11	SHORT CHIP			
R6114	1-216-864-11	SHORT CHIP				R6185	1-216-833-11	METAL CHIP	10K	5%	1/10W
R6115	1-216-864-11	SHORT CHIP				R6188	1-216-864-11	SHORT CHIP			
R6116	1-216-864-11	SHORT CHIP									
R6117	1-216-864-11	SHORT CHIP				R6189	1-216-864-11	SHORT CHIP			
R6118	1-216-864-11	SHORT CHIP				R6191	1-216-864-11	SHORT CHIP			
						R6192	1-216-864-11	SHORT CHIP			
R6119	1-216-864-11	SHORT CHIP				R6193	1-216-864-11	SHORT CHIP			
R6120	1-216-864-11	SHORT CHIP				R6195	1-216-864-11	SHORT CHIP			
R6121	1-216-864-11	SHORT CHIP									
R6122	1-216-864-11	SHORT CHIP				R6201	1-216-833-11	METAL CHIP	10K	5%	1/10W
R6123	1-216-864-11	SHORT CHIP				R6208	1-216-864-11	SHORT CHIP			
						R6213	1-216-864-11	SHORT CHIP			
R6126	1-216-864-11	SHORT CHIP				R6214	1-216-864-11	SHORT CHIP			
R6127	1-216-864-11	SHORT CHIP				R6215	1-216-864-11	SHORT CHIP			
R6128	1-216-864-11	SHORT CHIP									
R6129	1-216-864-11	SHORT CHIP				R6216	1-216-864-11	SHORT CHIP			
R6130	1-216-864-11	SHORT CHIP				R6217	1-216-864-11	SHORT CHIP			
						R6218	1-216-864-11	SHORT CHIP			
R6131	1-216-864-11	SHORT CHIP				R6219	1-216-864-11	SHORT CHIP			
R6134	1-216-864-11	SHORT CHIP				R6220	1-216-864-11	SHORT CHIP			
R6135	1-216-864-11	SHORT CHIP									
R6136	1-216-864-11	SHORT CHIP				R6864	1-216-864-11	SHORT CHIP			
R6137	1-216-864-11	SHORT CHIP				R6865	1-216-833-11	METAL CHIP	10K	5%	1/10W
						R6866	1-216-864-11	SHORT CHIP			
R6138	1-216-864-11	SHORT CHIP				R6867	1-216-833-11	METAL CHIP	10K	5%	1/10W
R6143	1-216-864-11	SHORT CHIP				R6868	1-216-845-11	METAL CHIP	100K	5%	1/10W
R6144	1-216-864-11	SHORT CHIP									
R6145	1-216-864-11	SHORT CHIP				R6869	1-216-845-11	METAL CHIP	100K	5%	1/10W
R6146	1-216-833-11	METAL CHIP	10K	5%	1/10W	R6870	1-216-845-11	METAL CHIP	100K	5%	1/10W
						R6873	1-216-809-11	METAL CHIP	100	5%	1/10W
R6153	1-216-864-11	SHORT CHIP				R6874	1-216-845-11	METAL CHIP	100K	5%	1/10W
R6154	1-216-864-11	SHORT CHIP				R6876	1-216-864-11	SHORT CHIP			
R6155	1-216-864-11	SHORT CHIP									
R6156	1-216-864-11	SHORT CHIP				R6877	1-216-864-11	SHORT CHIP			
R6157	1-216-864-11	SHORT CHIP				R6878	1-216-837-11	METAL CHIP	22K	5%	1/10W
						R6880	1-216-833-11	METAL CHIP	10K	5%	1/10W
R6158	1-216-864-11	SHORT CHIP				R6881	1-216-833-11	METAL CHIP	10K	5%	1/10W
R6159	1-216-864-11	SHORT CHIP				R6882	1-216-809-11	METAL CHIP	100	5%	1/10W
R6160	1-216-864-11	SHORT CHIP									



REF. NO.	PART NO.	DESCRIPTION	VALUES			REF. NO.	PART NO.	DESCRIPTION	VALUES		
R6883	1-216-864-11	SHORT CHIP				R6932	1-216-833-11	METAL CHIP	10K	5%	1/10W
R6884	1-216-864-11	SHORT CHIP				R6933	1-216-809-11	METAL CHIP	100	5%	1/10W
R6885	1-216-864-11	SHORT CHIP									
R6886	1-216-864-11	SHORT CHIP				R6934	1-216-809-11	METAL CHIP	100	5%	1/10W
R6887	1-216-864-11	SHORT CHIP				R6935	1-216-845-11	METAL CHIP	100K	5%	1/10W
						R6936	1-216-841-11	METAL CHIP	47K	5%	1/10W
R6888	1-216-864-11	SHORT CHIP				R6937	1-216-833-11	METAL CHIP	10K	5%	1/10W
R6889	1-216-809-11	METAL CHIP	100	5%	1/10W	R6938	1-216-833-11	METAL CHIP	10K	5%	1/10W
R6890	1-216-809-11	METAL CHIP	100	5%	1/10W						
R6891	1-216-809-11	METAL CHIP	100	5%	1/10W	R6939	1-216-809-11	METAL CHIP	100	5%	1/10W
R6892	1-216-809-11	METAL CHIP	100	5%	1/10W	R6940	1-216-841-11	METAL CHIP	47K	5%	1/10W
						R6941	1-216-845-11	METAL CHIP	100K	5%	1/10W
R6893	1-216-833-11	METAL CHIP	10K	5%	1/10W	R6942	1-216-839-11	METAL CHIP	33K	5%	1/10W
R6894	1-216-809-11	METAL CHIP	100	5%	1/10W	R6943	1-216-833-11	METAL CHIP	10K	5%	1/10W
R6895	1-216-809-11	METAL CHIP	100	5%	1/10W						
R6896	1-216-823-11	METAL CHIP	1.5K	5%	1/10W	R6944	1-216-833-11	METAL CHIP	10K	5%	1/10W
R6897	1-216-864-11	SHORT CHIP				R6945	1-216-833-11	METAL CHIP	10K	5%	1/10W
						R6946	1-216-809-11	METAL CHIP	100	5%	1/10W
R6898	1-218-654-11	METAL CHIP	27	0.50%	1/10W	R6947	1-216-833-11	METAL CHIP	10K	5%	1/10W
R6899	1-218-654-11	METAL CHIP	27	0.50%	1/10W	R6948	1-216-837-11	METAL CHIP	22K	5%	1/10W
R6901	1-216-805-11	METAL CHIP	47	5%	1/10W						
R6902	1-216-864-11	SHORT CHIP				R6949	1-216-821-11	METAL CHIP	1K	5%	1/10W
R6904	1-216-864-11	SHORT CHIP				R6950	1-216-833-11	METAL CHIP	10K	5%	1/10W
						R6951	1-216-821-11	METAL CHIP	1K	5%	1/10W
R6906	1-216-833-11	METAL CHIP	10K	5%	1/10W	R6952	1-216-833-11	METAL CHIP	10K	5%	1/10W
R6907	1-216-833-11	METAL CHIP	10K	5%	1/10W	R6953	1-216-837-11	METAL CHIP	22K	5%	1/10W
R6908	1-216-825-11	METAL CHIP	2.2K	5%	1/10W						
R6909	1-216-825-11	METAL CHIP	2.2K	5%	1/10W	R6954	1-216-821-11	METAL CHIP	1K	5%	1/10W
R6910	1-216-809-11	METAL CHIP	100	5%	1/10W	R6955	1-216-821-11	METAL CHIP	1K	5%	1/10W
						R6956	1-216-833-11	METAL CHIP	10K	5%	1/10W
R6911	1-216-809-11	METAL CHIP	100	5%	1/10W	R6957	1-216-825-11	METAL CHIP	2.2K	5%	1/10W
R6912	1-216-809-11	METAL CHIP	100	5%	1/10W	R6958	1-216-864-11	SHORT CHIP			
R6913	1-216-864-11	SHORT CHIP									
R6914	1-216-801-11	METAL CHIP	22	5%	1/10W	R6959	1-216-833-11	METAL CHIP	10K	5%	1/10W
R6915	1-216-801-11	METAL CHIP	22	5%	1/10W	R6960	1-216-821-11	METAL CHIP	1K	5%	1/10W
						R6961	1-216-833-11	METAL CHIP	10K	5%	1/10W
R6918	1-216-833-11	METAL CHIP	10K	5%	1/10W	R6962	1-216-814-11	METAL CHIP	270	5%	1/10W
R6919	1-216-833-11	METAL CHIP	10K	5%	1/10W	R6963	1-216-809-11	METAL CHIP	100	5%	1/10W
R6920	1-216-833-11	METAL CHIP	10K	5%	1/10W						
R6921	1-216-833-11	METAL CHIP	10K	5%	1/10W	R6964	1-216-833-11	METAL CHIP	10K	5%	1/10W
R6922	1-216-833-11	METAL CHIP	10K	5%	1/10W	R6966	1-216-801-11	METAL CHIP	22	5%	1/10W
						R6967	1-216-801-11	METAL CHIP	22	5%	1/10W
R6924	1-216-833-11	METAL CHIP	10K	5%	1/10W	R6968	1-216-813-11	METAL CHIP	220	5%	1/10W
R6925	1-216-864-11	SHORT CHIP				R6970	1-216-809-11	METAL CHIP	100	5%	1/10W
R6926	1-216-833-11	METAL CHIP	10K	5%	1/10W						
R6927	1-216-833-11	METAL CHIP	10K	5%	1/10W	R6971	1-216-833-11	METAL CHIP	10K	5%	1/10W
R6928	1-216-833-11	METAL CHIP	10K	5%	1/10W	R6972	1-216-833-11	METAL CHIP	10K	5%	1/10W
						R6973	1-216-833-11	METAL CHIP	10K	5%	1/10W
R6929	1-216-809-11	METAL CHIP	100	5%	1/10W	R6974	1-216-864-11	SHORT CHIP			
R6930	1-216-857-11	METAL CHIP	1M	5%	1/10W	R6976	1-216-801-11	METAL CHIP	22	5%	1/10W
R6931	1-216-841-11	METAL CHIP	47K	5%	1/10W						



REF. NO.	PART NO.	DESCRIPTION	VALUES			REF. NO.	PART NO.	DESCRIPTION	VALUES		
R6977	1-216-801-11	METAL CHIP	22	5%	1/10W	C4714	1-162-964-11	CERAMIC CHIP	0.001μF	10%	50V
R6978	1-216-845-11	METAL CHIP	100K	5%	1/10W	C4715	1-126-395-11	ELECT CHIP	22μF	20%	16V
R6979	1-216-864-11	SHORT CHIP				C4716	1-164-156-11	CERAMIC CHIP	0.1μF	25V	
R6980	1-216-809-11	METAL CHIP	100	5%	1/10W	C4718	1-107-826-11	CERAMIC CHIP	0.1μF	10%	16V
R6981	1-216-809-11	METAL CHIP	100	5%	1/10W	C4719	1-107-826-11	CERAMIC CHIP	0.1μF	10%	16V
R6982	1-216-841-11	METAL CHIP	47K	5%	1/10W	C4720	1-125-827-91	CERAMIC CHIP	1μF	10%	25V
R6983	1-216-809-11	METAL CHIP	100	5%	1/10W	C4721	1-162-964-11	CERAMIC CHIP	0.001μF	10%	50V
R6984	1-216-833-11	METAL CHIP	10K	5%	1/10W	C4722	1-164-156-11	CERAMIC CHIP	0.1μF	25V	
R6985	1-216-833-11	METAL CHIP	10K	5%	1/10W	C4723	1-115-340-11	CERAMIC CHIP	0.22μF	10%	25V
R6986	1-216-833-11	METAL CHIP	10K	5%	1/10W	C4724	1-124-779-00	ELECT CHIP	10μF	20%	16V
R6987	1-216-809-11	METAL CHIP	100	5%	1/10W	C4725	1-164-156-11	CERAMIC CHIP	0.1μF	25V	
R6988	1-216-833-11	METAL CHIP	10K	5%	1/10W	C4728	1-162-923-11	CERAMIC CHIP	47pF	5%	50V
R6989	1-216-833-11	METAL CHIP	10K	5%	1/10W	C4729	1-107-826-11	CERAMIC CHIP	0.1μF	10%	16V
R6990	1-216-864-11	SHORT CHIP				C4730	1-163-989-11	CERAMIC CHIP	0.033μF	10%	25V
R6993	1-216-833-11	METAL CHIP	10K	5%	1/10W	C4732	1-100-566-91	CERAMIC CHIP	0.1μF	10%	25V
R6995	1-216-864-11	SHORT CHIP				C4733	1-107-826-11	CERAMIC CHIP	0.1μF	10%	16V
R6996	1-216-833-11	METAL CHIP	10K	5%	1/10W	C4735	1-126-193-11	ELECT CHIP	1μF	20%	50V
R6999	1-216-833-11	METAL CHIP	10K	5%	1/10W	C4736	1-100-566-91	CERAMIC CHIP	0.1μF	10%	25V
RESISTOR BRIDGE						C4738	1-115-340-11	CERAMIC CHIP	0.22μF	10%	25V
RB6901	1-236-908-11	NETWORK RESISTOR(CHIP)	10K			C4740	1-162-964-11	CERAMIC CHIP	0.001μF	10%	50V
RB6902	1-236-908-11	NETWORK RESISTOR(CHIP)	10K			C4741	1-131-704-11	FILM	1μF	5%	50V
CRYSTAL						C4742	1-100-566-91	CERAMIC CHIP	0.1μF	10%	25V
X6900	1-767-419-21	VIBRATOR, CRYSTAL				C4743	1-162-964-11	CERAMIC CHIP	0.001μF	10%	50V
						C4745	1-100-566-91	CERAMIC CHIP	0.1μF	10%	25V
*	A-1060-187-A	KD BOARD, COMPLETE				C4746	1-107-826-11	CERAMIC CHIP	0.1μF	10%	16V
CAPACITOR						C4747	1-162-967-11	CERAMIC CHIP	0.0033μF	10%	50V
C4702	1-124-779-00	ELECT CHIP	10μF	20%	16V	C4748	1-131-704-11	FILM	1μF	5%	50V
C4704	1-164-156-11	CERAMIC CHIP	0.1μF	25V		C4749	1-107-826-11	CERAMIC CHIP	0.1μF	10%	16V
C4705	1-107-826-11	CERAMIC CHIP	0.1μF	10%	16V	C4750	1-100-566-91	CERAMIC CHIP	0.1μF	10%	25V
C4707	1-100-743-91	CERAMIC CHIP	2.2μF	20%	16V	C4751	1-100-566-91	CERAMIC CHIP	0.1μF	10%	25V
C4708	1-162-967-11	CERAMIC CHIP	0.0033μF	10%	50V	C4752	1-162-967-11	CERAMIC CHIP	0.0033μF	10%	50V
C4709	1-164-156-11	CERAMIC CHIP	0.1μF	25V		C4753	1-117-318-91	ELECT	2200μF	20%	25V
C4710	1-164-156-11	CERAMIC CHIP	0.1μF	25V		C4754	1-100-566-91	CERAMIC CHIP	0.1μF	10%	25V
C4711	1-107-826-11	CERAMIC CHIP	0.1μF	10%	16V	C4755	1-162-923-11	CERAMIC CHIP	47pF	5%	50V
						C4756	1-162-923-11	CERAMIC CHIP	47pF	5%	50V
						C4757	1-162-923-11	CERAMIC CHIP	47pF	5%	50V
						C4758	1-163-989-11	CERAMIC CHIP	0.033μF	10%	25V
						C4759	1-162-970-11	CERAMIC CHIP	0.01μF	10%	25V
						C4761	1-125-827-91	CERAMIC CHIP	1μF	10%	25V
						C4762	1-162-915-11	CERAMIC CHIP	10pF	0.50pF	50V
						C4763	1-162-915-11	CERAMIC CHIP	10pF	0.50pF	50V
						C4764	1-127-573-11	CERAMIC CHIP	1μF	10%	16V



REF. NO.	PART NO.	DESCRIPTION	VALUES			REF. NO.	PART NO.	DESCRIPTION	VALUES		
C4765	1-128-994-21	ELECT CHIP	47μF	20%	10V	C4821	1-126-193-11	ELECT CHIP	1μF	20%	50V
C4766	1-128-994-21	ELECT CHIP	47μF	20%	10V	C4822	1-115-340-11	CERAMIC CHIP	0.22μF	10%	25V
C4767	1-128-994-21	ELECT CHIP	47μF	20%	10V						
C4768	1-100-743-91	CERAMIC CHIP	2.2μF	20%	16V	C4823	1-162-964-11	CERAMIC CHIP	0.001μF	10%	50V
C4769	1-107-826-11	CERAMIC CHIP	0.1μF	10%	16V	C4825	1-162-964-11	CERAMIC CHIP	0.001μF	10%	50V
						C4827	1-107-826-11	CERAMIC CHIP	0.1μF	10%	16V
C4770	1-100-743-91	CERAMIC CHIP	2.2μF	20%	16V	C4828	1-128-006-11	ELECT CHIP	4.7μF	20%	25V
C4771	1-125-827-91	CERAMIC CHIP	1μF	10%	25V	C4829	1-107-826-11	CERAMIC CHIP	0.1μF	10%	16V
C4772	1-128-994-21	ELECT CHIP	47μF	20%	10V						
C4773	1-124-779-00	ELECT CHIP	10μF	20%	16V	C4830	1-125-827-91	CERAMIC CHIP	1μF	10%	25V
C4774	1-107-826-11	CERAMIC CHIP	0.1μF	10%	16V	C4831	1-162-964-11	CERAMIC CHIP	0.001μF	10%	50V
						C4832	1-115-340-11	CERAMIC CHIP	0.22μF	10%	25V
C4776	1-164-156-11	CERAMIC CHIP	0.1μF		25V	C4833	1-162-923-11	CERAMIC CHIP	47pF	5%	50V
C4777	1-163-989-11	CERAMIC CHIP	0.033μF	10%	25V	C4834	1-162-923-11	CERAMIC CHIP	47pF	5%	50V
C4778	1-100-566-91	CERAMIC CHIP	0.1μF	10%	25V						
C4780	1-107-826-11	CERAMIC CHIP	0.1μF	10%	16V	C4835	1-162-923-11	CERAMIC CHIP	47pF	5%	50V
C4781	1-100-566-91	CERAMIC CHIP	0.1μF	10%	25V	C4836	1-162-970-11	CERAMIC CHIP	0.01μF	10%	25V
						C4837	1-162-923-11	CERAMIC CHIP	47pF	5%	50V
C4784	1-100-566-91	CERAMIC CHIP	0.1μF	10%	25V	C4838	1-163-989-11	CERAMIC CHIP	0.033μF	10%	25V
C4785	1-131-704-11	FILM	1μF	5%	50V	C4839	1-100-566-91	CERAMIC CHIP	0.1μF	10%	25V
C4786	1-162-964-11	CERAMIC CHIP	0.001μF	10%	50V						
C4788	1-100-566-91	CERAMIC CHIP	0.1μF	10%	25V	C4840	1-100-566-91	CERAMIC CHIP	0.1μF	10%	25V
C4789	1-131-704-11	FILM	1μF	5%	50V	C4842	1-115-340-11	CERAMIC CHIP	0.22μF	10%	25V
						C4844	1-162-964-11	CERAMIC CHIP	0.001μF	10%	50V
C4790	1-164-156-11	CERAMIC CHIP	0.1μF		25V	C4845	1-131-704-11	FILM	1μF	5%	50V
C4791	1-164-156-11	CERAMIC CHIP	0.1μF		25V	C4846	1-100-566-91	CERAMIC CHIP	0.1μF	10%	25V
C4792	1-162-964-11	CERAMIC CHIP	0.001μF	10%	50V						
C4793	1-100-566-91	CERAMIC CHIP	0.1μF	10%	25V	C4847	1-162-964-11	CERAMIC CHIP	0.001μF	10%	50V
C4795	1-117-318-91	ELECT	2200μF	20%	25V	C4848	1-100-566-91	CERAMIC CHIP	0.1μF	10%	25V
						C4850	1-131-704-11	FILM	1μF	5%	50V
C4796	1-107-826-11	CERAMIC CHIP	0.1μF	10%	16V	C4851	1-100-566-91	CERAMIC CHIP	0.1μF	10%	25V
C4797	1-100-566-91	CERAMIC CHIP	0.1μF	10%	25V	C4852	1-100-566-91	CERAMIC CHIP	0.1μF	10%	25V
C4799	1-100-566-91	CERAMIC CHIP	0.1μF	10%	25V						
C4801	1-115-340-11	CERAMIC CHIP	0.22μF	10%	25V	C4854	1-117-318-91	ELECT	2200μF	20%	25V
C4802	1-126-395-11	ELECT CHIP	22μF	20%	16V	C4855	1-117-681-11	ELECT CHIP	100μF	20%	16V
						C4856	1-117-681-11	ELECT CHIP	100μF	20%	16V
C4803	1-164-156-11	CERAMIC CHIP	0.1μF		25V	C4857	1-100-566-91	CERAMIC CHIP	0.1μF	10%	25V
C4804	1-163-989-11	CERAMIC CHIP	0.033μF	10%	25V	C4858	1-100-566-91	CERAMIC CHIP	0.1μF	10%	25V
C4805	1-107-826-11	CERAMIC CHIP	0.1μF	10%	16V						
C4806	1-107-826-11	CERAMIC CHIP	0.1μF	10%	16V	C4859	1-163-989-11	CERAMIC CHIP	0.033μF	10%	25V
C4807	1-164-156-11	CERAMIC CHIP	0.1μF		25V	C4861	1-162-970-11	CERAMIC CHIP	0.01μF	10%	25V
						C4862	1-162-970-11	CERAMIC CHIP	0.01μF	10%	25V
C4808	1-124-779-00	ELECT CHIP	10μF	20%	16V	C4864	1-125-827-91	CERAMIC CHIP	1μF	10%	25V
C4809	1-164-156-11	CERAMIC CHIP	0.1μF		25V	C4866	1-128-401-11	ELECT CHIP	100μF	20%	25V
C4811	1-162-923-11	CERAMIC CHIP	47pF	5%	50V						
C4813	1-107-826-11	CERAMIC CHIP	0.1μF	10%	16V	C4867	1-162-964-11	CERAMIC CHIP	0.001μF	10%	50V
C4814	1-125-827-91	CERAMIC CHIP	1μF	10%	25V	C4868	1-128-401-11	ELECT CHIP	100μF	20%	25V
						C4870	1-107-826-11	CERAMIC CHIP	0.1μF	10%	16V
C4817	1-162-964-11	CERAMIC CHIP	0.001μF	10%	50V	C4871	1-124-779-00	ELECT CHIP	10μF	20%	16V
C4818	1-107-826-11	CERAMIC CHIP	0.1μF	10%	16V	C4874	1-126-193-11	ELECT CHIP	1μF	20%	50V
C4820	1-126-193-11	ELECT CHIP	1μF	20%	50V						
						C4901	1-127-931-21	ELECT CHIP	470μF	20%	16V



REF. NO.	PART NO.	DESCRIPTION	VALUES	REF. NO.	PART NO.	DESCRIPTION	VALUES	
<u>CONNECTOR</u>				L4711	1-456-813-11	COIL, AIR-CORE		
*	CN4701	1-785-701-11	PIN, CONNECTOR (PC BOARD)	3P	L4712	1-456-813-11	COIL, AIR-CORE	
*	CN4702	1-779-944-11	PIN, CONNECTOR (PC BOARD)	4P	L4713	1-456-864-11	INDUCTOR	11μH
*	CN4703	1-793-497-11	CONNECTOR, BOARD TO BOARD	40P	L4714	1-456-864-11	INDUCTOR	11μH
	CN4705	1-764-101-11	PIN, CONNECTOR (PC BOARD)	2P	L4715	1-414-487-41	INDUCTOR	1μH
<u>DIODE</u>				L4716	1-456-813-11	COIL, AIR-CORE		
D4701	8-719-404-50	DIODE	MA111-TX	L4717	1-469-555-21	INDUCTOR	10μH	
D4702	8-719-404-50	DIODE	MA111-TX	<u>WIRE PIN</u>				
D4709	8-719-404-50	DIODE	MA111-TX	*	LP4701	4-042-408-02	PIN(45), WIRE	
D4710	8-719-404-50	DIODE	MA111-TX	*	LP4702	4-042-408-02	PIN(45), WIRE	
D4717	8-719-404-50	DIODE	MA111-TX	<u>TRANSISTOR</u>				
D4719	8-719-989-00	DIODE	DA221	Q4701	6-550-586-01	TRANSISTOR	2PA1576R-115	
D4901	8-719-404-50	DIODE	MA111-TX	Q4702	6-550-586-01	TRANSISTOR	2PA1576R-115	
D4902	8-719-421-15	DIODE	MA8027-L	Q4703	6-550-585-01	TRANSISTOR	2PC4081R-115	
<u>IC</u>				Q4704	6-550-586-01	TRANSISTOR	2PA1576R-115	
IC4701	6-701-834-01	IC	PCM1802DBR	Q4705	6-550-586-01	TRANSISTOR	2PA1576R-115	
IC4702	6-705-979-01	IC	CXD9788AR	Q4706	6-550-586-01	TRANSISTOR	2PA1576R-115	
IC4703	6-704-802-01	IC	CXD9774M	Q4707	6-550-586-01	TRANSISTOR	2PA1576R-115	
IC4704	8-759-832-05	IC	BA18BC0FP-E2	Q4708	6-550-585-01	TRANSISTOR	2PC4081R-115	
IC4705	8-759-242-70	IC	TC7WU04F	Q4709	6-550-586-01	TRANSISTOR	2PA1576R-115	
IC4706	6-701-834-01	IC	PCM1802DBR	Q4711	6-550-585-01	TRANSISTOR	2PC4081R-115	
IC4707	6-705-979-01	IC	CXD9788AR	Q4901	6-550-586-01	TRANSISTOR	2PA1576R-115	
IC4708	6-704-802-01	IC	CXD9774M	Q4902	6-550-585-01	TRANSISTOR	2PC4081R-115	
IC4709	6-704-643-01	IC	R3112N221A-TR-FA	<u>RESISTOR</u>				
IC4710	6-704-802-01	IC	CXD9774M	R4701	1-216-809-11	METAL CHIP	100 5% 1/10W	
IC4711	8-759-548-99	IC	SN74LV08APWR	R4702	1-216-809-11	METAL CHIP	100 5% 1/10W	
IC4712	8-759-460-81	IC	BA12FP-E2	R4703	1-216-809-11	METAL CHIP	100 5% 1/10W	
<u>COIL</u>				R4704	1-216-809-11	METAL CHIP	100 5% 1/10W	
L4701	1-469-555-21	INDUCTOR	10μH	R4705	1-216-845-11	METAL CHIP	100K 5% 1/10W	
L4702	1-456-813-11	COIL, AIR-CORE		R4708	1-216-846-11	METAL CHIP	120K 5% 1/10W	
L4703	1-456-864-11	INDUCTOR	11μH	R4709	1-216-845-11	METAL CHIP	100K 5% 1/10W	
L4704	1-456-864-11	INDUCTOR	11μH	R4710	1-216-821-11	METAL CHIP	1K 5% 1/10W	
L4705	1-456-813-11	COIL, AIR-CORE		R4711	1-216-864-11	SHORT CHIP		
L4706	1-469-555-21	INDUCTOR	10μH	R4713	1-216-864-11	SHORT CHIP		
L4707	1-469-555-21	INDUCTOR	10μH	R4714	1-216-864-11	SHORT CHIP		
L4708	1-456-813-11	COIL, AIR-CORE		R4715	1-216-864-11	SHORT CHIP		
L4709	1-456-864-11	INDUCTOR	11μH	R4716	1-216-790-11	METAL CHIP	2.7 5% 1/10W	
L4710	1-456-864-11	INDUCTOR	11μH	R4717	1-216-809-11	METAL CHIP	100 5% 1/10W	
				R4719	1-216-818-11	METAL CHIP	560 5% 1/10W	



REF. NO.	PART NO.	DESCRIPTION	VALUES			REF. NO.	PART NO.	DESCRIPTION	VALUES		
R4720	1-216-837-11	METAL CHIP	22K	5%	1/10W	R4770	1-216-813-11	METAL CHIP	220	5%	1/10W
R4721	1-220-281-11	RES-CHIP	4.7K	5%	1/4W	R4771	1-216-821-11	METAL CHIP	1K	5%	1/10W
R4722	1-220-281-11	RES-CHIP	4.7K	5%	1/4W	R4772	1-216-809-11	METAL CHIP	100	5%	1/10W
R4723	1-216-833-11	METAL CHIP	10K	5%	1/10W	R4774	1-216-864-11	SHORT CHIP			
R4724	1-216-864-11	SHORT CHIP				R4775	1-216-864-11	SHORT CHIP			
R4725	1-216-821-11	METAL CHIP	1K	5%	1/10W	R4776	1-216-864-11	SHORT CHIP			
R4726	1-216-833-11	METAL CHIP	10K	5%	1/10W	R4778	1-216-864-11	SHORT CHIP			
R4727	1-216-864-11	SHORT CHIP				R4779	1-220-942-11	METAL CHIP	3.3	1%	1/4W
R4728	1-216-864-11	SHORT CHIP				R4780	1-216-864-11	SHORT CHIP			
R4729	1-216-790-11	METAL CHIP	2.7	5%	1/10W	R4781	1-218-708-11	METAL CHIP	4.7K	0.50%	1/10W
R4731	1-216-864-11	SHORT CHIP				R4782	1-220-942-11	METAL CHIP	3.3	1%	1/4W
R4732	1-220-942-11	METAL CHIP	3.3	1%	1/4W	R4783	1-218-708-11	METAL CHIP	4.7K	0.50%	1/10W
R4733	1-216-864-11	SHORT CHIP				R4784	1-216-864-11	SHORT CHIP			
R4734	1-218-708-11	METAL CHIP	4.7K	0.50%	1/10W	R4785	1-216-821-11	METAL CHIP	1K	5%	1/10W
R4735	1-216-821-11	METAL CHIP	1K	5%	1/10W	R4786	1-216-864-11	SHORT CHIP			
R4736	1-220-942-11	METAL CHIP	3.3	1%	1/4W	R4787	1-216-790-11	METAL CHIP	2.7	5%	1/10W
R4737	1-218-708-11	METAL CHIP	4.7K	0.50%	1/10W	R4788	1-216-864-11	SHORT CHIP			
R4738	1-216-809-11	METAL CHIP	100	5%	1/10W	R4789	1-216-864-11	SHORT CHIP			
R4739	1-216-809-11	METAL CHIP	100	5%	1/10W	R4791	1-216-864-11	SHORT CHIP			
R4740	1-216-809-11	METAL CHIP	100	5%	1/10W	R4792	1-216-818-11	METAL CHIP	560	5%	1/10W
R4741	1-216-833-11	METAL CHIP	10K	5%	1/10W	R4793	1-216-822-11	METAL CHIP	1.2K	5%	1/10W
R4742	1-216-864-11	SHORT CHIP				R4794	1-216-837-11	METAL CHIP	22K	5%	1/10W
R4743	1-216-809-11	METAL CHIP	100	5%	1/10W	R4796	1-216-809-11	METAL CHIP	100	5%	1/10W
R4744	1-216-864-11	SHORT CHIP				R4797	1-216-833-11	METAL CHIP	10K	5%	1/10W
R4747	1-216-864-11	SHORT CHIP				R4798	1-216-864-11	SHORT CHIP			
R4750	1-216-864-11	SHORT CHIP				R4799	1-216-833-11	METAL CHIP	10K	5%	1/10W
R4751	1-216-833-11	METAL CHIP	10K	5%	1/10W	R4800	1-216-864-11	SHORT CHIP			
R4752	1-216-817-11	METAL CHIP	470	5%	1/10W	R4801	1-216-790-11	METAL CHIP	2.7	5%	1/10W
R4753	1-216-847-11	METAL CHIP	150K	5%	1/10W	R4802	1-216-864-11	SHORT CHIP			
R4754	1-216-857-11	METAL CHIP	1M	5%	1/10W	R4804	1-216-821-11	METAL CHIP	1K	5%	1/10W
R4755	1-216-844-11	METAL CHIP	82K	5%	1/10W	R4805	1-216-809-11	METAL CHIP	100	5%	1/10W
R4756	1-216-845-11	METAL CHIP	100K	5%	1/10W	R4806	1-216-809-11	METAL CHIP	100	5%	1/10W
R4757	1-216-846-11	METAL CHIP	120K	5%	1/10W	R4807	1-216-809-11	METAL CHIP	100	5%	1/10W
R4758	1-216-845-11	METAL CHIP	100K	5%	1/10W	R4808	1-216-833-11	METAL CHIP	10K	5%	1/10W
R4759	1-216-845-11	METAL CHIP	100K	5%	1/10W	R4809	1-216-864-11	SHORT CHIP			
R4760	1-216-846-11	METAL CHIP	120K	5%	1/10W	R4811	1-216-790-11	METAL CHIP	2.7	5%	1/10W
R4761	1-216-845-11	METAL CHIP	100K	5%	1/10W	R4813	1-216-821-11	METAL CHIP	1K	5%	1/10W
R4762	1-220-281-11	RES-CHIP	4.7K	5%	1/4W	R4814	1-216-818-11	METAL CHIP	560	5%	1/10W
R4763	1-216-809-11	METAL CHIP	100	5%	1/10W	R4815	1-216-837-11	METAL CHIP	22K	5%	1/10W
R4764	1-216-809-11	METAL CHIP	100	5%	1/10W	R4816	1-216-833-11	METAL CHIP	10K	5%	1/10W
R4765	1-216-864-11	SHORT CHIP				R4819	1-216-829-11	METAL CHIP	4.7K	5%	1/10W
R4767	1-216-809-11	METAL CHIP	100	5%	1/10W	R4820	1-216-829-11	METAL CHIP	4.7K	5%	1/10W
R4768	1-216-864-11	SHORT CHIP									



REF. NO.	PART NO.	DESCRIPTION	VALUES	REF. NO.	PART NO.	DESCRIPTION	VALUES
D9502	8-719-977-28	DIODE	DTZ10B	IC9514	8-759-331-71	IC	NJM4558E(TE2)
D9503	8-719-977-28	DIODE	DTZ10B	IC9515	6-704-499-01	IC	SII9993CTG100
D9506	8-719-404-50	DIODE	MA111-TX	IC9517	6-804-248-01	IC	HD64F3694FXV-DA4
D9507	8-719-404-50	DIODE	MA111-TX	IC9518	6-704-001-01	IC	BR24L02F-WE2
D9509	8-719-404-50	DIODE	MA111-TX	IC9519	6-550-014-01	TRANSISTOR	SSM6N15FU(TE85R)
D9510	8-719-404-50	DIODE	MA111-TX	IC9521	8-759-642-22	IC	UPC29M05T-E2
<u>FERRITE BEAD</u>				<u>JACK</u>			
FB9504	1-414-235-22	FERRITE	0μH	J9503	1-794-623-11	JACK, PIN	2P
FB9505	1-414-235-22	FERRITE	0μH	<u>COIL</u>			
FB9506	1-414-235-22	FERRITE	0μH	L9501	1-416-948-21	INDUCTOR	10μH
FB9507	1-414-235-22	FERRITE	0μH	L9502	1-400-303-21	INDUCTOR	68μH
FB9508	1-414-235-22	FERRITE	0μH	<u>IC LINK</u>			
FB9509	1-414-235-22	FERRITE	0μH	PS9500	1-576-415-21	FUSE	2A 32V
FB9510	1-414-235-22	FERRITE	0μH	<u>TRANSISTOR</u>			
FB9512	1-414-235-22	FERRITE	0μH	Q9501	8-729-024-88	TRANSISTOR	MUN2212T1
FB9704	1-414-235-22	FERRITE	0μH	Q9502	8-729-421-22	TRANSISTOR	UN2211
FB9705	1-414-235-22	FERRITE	0μH	Q9503	8-729-027-62	TRANSISTOR	DTC144WKA-T146
FB9707	1-414-235-22	FERRITE	0μH	Q9505	8-729-027-62	TRANSISTOR	DTC144WKA-T146
FB9708	1-414-235-22	FERRITE	0μH	Q9506	8-729-024-88	TRANSISTOR	MUN2212T1
<u>FILTER</u>				Q9508	8-729-421-22	TRANSISTOR	UN2211
* FL9501	1-813-308-11	INDUCTOR	0μH	Q9511	8-729-421-22	TRANSISTOR	UN2211
* FL9504	1-813-308-11	INDUCTOR	0μH	Q9512	8-729-421-22	TRANSISTOR	UN2211
* FL9505	1-813-308-11	INDUCTOR	0μH	Q9514	8-729-027-62	TRANSISTOR	DTC144WKA-T146
* FL9506	1-813-308-11	INDUCTOR	0μH	Q9515	8-729-024-88	TRANSISTOR	MUN2212T1
* FL9521	1-813-308-11	INDUCTOR	0μH	Q9516	8-729-421-22	TRANSISTOR	UN2211
* FL9524	1-813-308-11	INDUCTOR	0μH	Q9517	8-729-421-22	TRANSISTOR	UN2211
* FL9525	1-813-308-11	INDUCTOR	0μH	<u>RESISTOR</u>			
* FL9526	1-813-308-11	INDUCTOR	0μH	R9501	1-218-665-11	METAL CHIP	75 0.50% 1/10W
<u>IC</u>				R9502	1-218-665-11	METAL CHIP	75 0.50% 1/10W
IC9500	6-706-257-01	IC	FMS6418AM16X	R9505	1-216-841-11	METAL CHIP	47K 5% 1/10W
IC9502	6-704-819-01	IC	CS4335-KSZR	R9507	1-216-857-11	METAL CHIP	1M 5% 1/10W
IC9503	6-704-407-01	IC	PQ1CZ41H2ZPH	R9509	1-216-857-11	METAL CHIP	1M 5% 1/10W
IC9504	6-704-001-01	IC	BR24L02F-WE2				
IC9505	6-704-499-01	IC	SII9993CTG100				
IC9506	6-703-042-01	IC	CD4052BNSR				
IC9509	6-550-014-01	TRANSISTOR	SSM6N15FU(TE85R)				



REF. NO.	PART NO.	DESCRIPTION	VALUES			REF. NO.	PART NO.	DESCRIPTION	VALUES		
R9510	1-218-665-11	METAL CHIP	75	0.50%	1/10W	R9572	1-216-837-11	METAL CHIP	22K	5%	1/10W
R9511	1-216-803-11	METAL CHIP	33	5%	1/10W	R9574	1-216-809-11	METAL CHIP	100	5%	1/10W
R9512	1-218-665-11	METAL CHIP	75	0.50%	1/10W						
R9513	1-218-665-11	METAL CHIP	75	0.50%	1/10W	R9575	1-216-809-11	METAL CHIP	100	5%	1/10W
R9514	1-218-665-11	METAL CHIP	75	0.50%	1/10W	R9577	1-216-857-11	METAL CHIP	1M	5%	1/10W
						R9580	1-216-809-11	METAL CHIP	100	5%	1/10W
R9515	1-218-665-11	METAL CHIP	75	0.50%	1/10W	R9581	1-216-809-11	METAL CHIP	100	5%	1/10W
R9516	1-218-665-11	METAL CHIP	75	0.50%	1/10W	R9582	1-216-833-11	METAL CHIP	10K	5%	1/10W
R9517	1-218-665-11	METAL CHIP	75	0.50%	1/10W						
R9518	1-216-857-11	METAL CHIP	1M	5%	1/10W	R9584	1-216-833-11	METAL CHIP	10K	5%	1/10W
R9519	1-216-803-11	METAL CHIP	33	5%	1/10W	R9585	1-216-809-11	METAL CHIP	100	5%	1/10W
						R9586	1-216-809-11	METAL CHIP	100	5%	1/10W
R9520	1-216-816-11	METAL CHIP	390	5%	1/10W	R9592	1-216-809-11	METAL CHIP	100	5%	1/10W
R9526	1-218-716-11	METAL CHIP	10K	0.50%	1/10W	R9595	1-216-817-11	METAL CHIP	470	5%	1/10W
R9528	1-216-837-11	METAL CHIP	22K	5%	1/10W						
R9529	1-216-850-11	METAL CHIP	270K	5%	1/10W	R9597	1-216-803-11	METAL CHIP	33	5%	1/10W
R9530	1-216-821-11	METAL CHIP	1K	5%	1/10W	R9602	1-216-809-11	METAL CHIP	100	5%	1/10W
						R9605	1-216-809-11	METAL CHIP	100	5%	1/10W
R9531	1-216-829-11	METAL CHIP	4.7K	5%	1/10W	R9606	1-216-864-11	SHORT CHIP			
R9532	1-218-694-11	METAL CHIP	1.2K	0.50%	1/10W	R9612	1-216-864-11	SHORT CHIP			
R9533	1-216-825-11	METAL CHIP	2.2K	5%	1/10W						
R9534	1-218-686-11	METAL CHIP	560	0.50%	1/10W	R9613	1-216-809-11	METAL CHIP	100	5%	1/10W
R9535	1-216-845-11	METAL CHIP	100K	5%	1/10W	R9614	1-216-809-11	METAL CHIP	100	5%	1/10W
						R9615	1-216-809-11	METAL CHIP	100	5%	1/10W
R9538	1-218-823-11	METAL CHIP	100	0.50%	1/10W	R9616	1-216-809-11	METAL CHIP	100	5%	1/10W
R9539	1-216-821-11	METAL CHIP	1K	5%	1/10W	R9623	1-216-845-11	METAL CHIP	100K	5%	1/10W
R9540	1-216-829-11	METAL CHIP	4.7K	5%	1/10W						
R9541	1-218-694-11	METAL CHIP	1.2K	0.50%	1/10W	R9624	1-216-845-11	METAL CHIP	100K	5%	1/10W
R9542	1-216-850-11	METAL CHIP	270K	5%	1/10W	R9625	1-216-845-11	METAL CHIP	100K	5%	1/10W
						R9626	1-216-833-11	METAL CHIP	10K	5%	1/10W
R9543	1-218-686-11	METAL CHIP	560	0.50%	1/10W	R9627	1-216-809-11	METAL CHIP	100	5%	1/10W
R9544	1-218-706-11	METAL CHIP	3.9K	0.50%	1/10W	R9810	1-216-803-11	METAL CHIP	33	5%	1/10W
R9546	1-218-706-11	METAL CHIP	3.9K	0.50%	1/10W						
R9547	1-216-845-11	METAL CHIP	100K	5%	1/10W	R9811	1-216-803-11	METAL CHIP	33	5%	1/10W
R9548	1-218-716-11	METAL CHIP	10K	0.50%	1/10W	R9812	1-216-803-11	METAL CHIP	33	5%	1/10W
						R9813	1-216-803-11	METAL CHIP	33	5%	1/10W
R9552	1-216-817-11	METAL CHIP	470	5%	1/10W	R9819	1-216-803-11	METAL CHIP	33	5%	1/10W
R9555	1-218-706-11	METAL CHIP	3.9K	0.50%	1/10W	R9820	1-216-816-11	METAL CHIP	390	5%	1/10W
R9556	1-216-829-11	METAL CHIP	4.7K	5%	1/10W						
R9557	1-218-706-11	METAL CHIP	3.9K	0.50%	1/10W	R9838	1-216-809-11	METAL CHIP	100	5%	1/10W
R9558	1-216-829-11	METAL CHIP	4.7K	5%	1/10W	R9844	1-218-706-11	METAL CHIP	3.9K	0.50%	1/10W
						R9846	1-218-706-11	METAL CHIP	3.9K	0.50%	1/10W
R9559	1-216-809-11	METAL CHIP	100	5%	1/10W	R9847	1-216-833-11	METAL CHIP	10K	5%	1/10W
R9560	1-216-864-11	SHORT CHIP				R9848	1-218-644-11	METAL CHIP	10	0.50%	1/10W
R9562	1-216-809-11	METAL CHIP	100	5%	1/10W						
R9563	1-218-706-11	METAL CHIP	3.9K	0.50%	1/10W	R9849	1-216-821-11	METAL CHIP	1K	5%	1/10W
R9564	1-216-837-11	METAL CHIP	22K	5%	1/10W	R9850	1-216-833-11	METAL CHIP	10K	5%	1/10W
						R9851	1-216-821-11	METAL CHIP	1K	5%	1/10W
R9565	1-216-845-11	METAL CHIP	100K	5%	1/10W	R9852	1-218-644-11	METAL CHIP	10	0.50%	1/10W
R9566	1-216-864-11	SHORT CHIP				R9853	1-216-845-11	METAL CHIP	100K	5%	1/10W
R9569	1-216-845-11	METAL CHIP	100K	5%	1/10W						



REF. NO.	PART NO.	DESCRIPTION	VALUES			REF. NO.	PART NO.	DESCRIPTION	VALUES		
C3011	1-164-943-11	CERAMIC CHIP	0.01μF	10%	16V	C3061	1-125-777-11	CERAMIC CHIP	0.1μF	10%	10V
C3012	1-164-943-11	CERAMIC CHIP	0.01μF	10%	16V	C3062	1-128-993-21	ELECT CHIP	22μF	20%	10V
C3013	1-164-943-11	CERAMIC CHIP	0.01μF	10%	16V	C3064	1-128-993-21	ELECT CHIP	22μF	20%	10V
C3014	1-165-908-11	CERAMIC CHIP	1μF	10%	10V	C3065	1-128-993-21	ELECT CHIP	22μF	20%	10V
C3015	1-125-777-11	CERAMIC CHIP	0.1μF	10%	10V	C3066	1-126-206-11	ELECT CHIP	100μF	20%	6.3V
C3016	1-137-710-11	CERAMIC CHIP	10μF	20%	6.3V	C3070	1-164-943-11	CERAMIC CHIP	0.01μF	10%	16V
C3017	1-165-908-11	CERAMIC CHIP	1μF	10%	10V	C3071	1-164-943-11	CERAMIC CHIP	0.01μF	10%	16V
C3018	1-125-777-11	CERAMIC CHIP	0.1μF	10%	10V	C3072	1-165-908-11	CERAMIC CHIP	1μF	10%	10V
C3019	1-125-777-11	CERAMIC CHIP	0.1μF	10%	10V	C3073	1-165-908-11	CERAMIC CHIP	1μF	10%	10V
C3020	1-125-777-11	CERAMIC CHIP	0.1μF	10%	10V	C3074	1-165-908-11	CERAMIC CHIP	1μF	10%	10V
C3021	1-164-943-11	CERAMIC CHIP	0.01μF	10%	16V	C3075	1-165-908-11	CERAMIC CHIP	1μF	10%	10V
C3022	1-125-777-11	CERAMIC CHIP	0.1μF	10%	10V	C3076	1-165-908-11	CERAMIC CHIP	1μF	10%	10V
C3023	1-126-206-11	ELECT CHIP	100μF	20%	6.3V	C3077	1-165-908-11	CERAMIC CHIP	1μF	10%	10V
C3024	1-125-777-11	CERAMIC CHIP	0.1μF	10%	10V	C3078	1-165-908-11	CERAMIC CHIP	1μF	10%	10V
C3025	1-125-777-11	CERAMIC CHIP	0.1μF	10%	10V	C3079	1-124-779-00	ELECT CHIP	10μF	20%	16V
C3026	1-125-777-11	CERAMIC CHIP	0.1μF	10%	10V	C3080	1-124-779-00	ELECT CHIP	10μF	20%	16V
C3027	1-126-206-11	ELECT CHIP	100μF	20%	6.3V	C3081	1-124-779-00	ELECT CHIP	10μF	20%	16V
C3028	1-125-777-11	CERAMIC CHIP	0.1μF	10%	10V	C3082	1-124-779-00	ELECT CHIP	10μF	20%	16V
C3029	1-125-777-11	CERAMIC CHIP	0.1μF	10%	10V	C3083	1-124-779-00	ELECT CHIP	10μF	20%	16V
C3030	1-165-908-11	CERAMIC CHIP	1μF	10%	10V	C3084	1-124-779-00	ELECT CHIP	10μF	20%	16V
C3031	1-126-206-11	ELECT CHIP	100μF	20%	6.3V	C3085	1-125-777-11	CERAMIC CHIP	0.1μF	10%	10V
C3032	1-164-943-11	CERAMIC CHIP	0.01μF	10%	16V	C3086	1-125-777-11	CERAMIC CHIP	0.1μF	10%	10V
C3033	1-137-710-11	CERAMIC CHIP	10μF	20%	6.3V	C3087	1-125-777-11	CERAMIC CHIP	0.1μF	10%	10V
C3034	1-125-777-11	CERAMIC CHIP	0.1μF	10%	10V	C3088	1-125-777-11	CERAMIC CHIP	0.1μF	10%	10V
C3035	1-125-777-11	CERAMIC CHIP	0.1μF	10%	10V	C3089	1-125-777-11	CERAMIC CHIP	0.1μF	10%	10V
C3036	1-125-777-11	CERAMIC CHIP	0.1μF	10%	10V	C3090	1-125-777-11	CERAMIC CHIP	0.1μF	10%	10V
C3037	1-125-777-11	CERAMIC CHIP	0.1μF	10%	10V	C3091	1-126-206-11	ELECT CHIP	100μF	20%	6.3V
C3038	1-125-777-11	CERAMIC CHIP	0.1μF	10%	10V	C3092	1-126-206-11	ELECT CHIP	100μF	20%	6.3V
C3041	1-164-943-11	CERAMIC CHIP	0.01μF	10%	16V	C3093	1-125-777-11	CERAMIC CHIP	0.1μF	10%	10V
C3042	1-126-206-11	ELECT CHIP	100μF	20%	6.3V	C3096	1-126-206-11	ELECT CHIP	100μF	20%	6.3V
C3043	1-164-943-11	CERAMIC CHIP	0.01μF	10%	16V	C3098	1-126-206-11	ELECT CHIP	100μF	20%	6.3V
C3044	1-128-993-21	ELECT CHIP	22μF	20%	10V	C3100	1-126-206-11	ELECT CHIP	100μF	20%	6.3V
C3045	1-126-206-11	ELECT CHIP	100μF	20%	6.3V	C3102	1-126-206-11	ELECT CHIP	100μF	20%	6.3V
C3046	1-164-943-11	CERAMIC CHIP	0.01μF	10%	16V	C3104	1-125-777-11	CERAMIC CHIP	0.1μF	10%	10V
C3047	1-164-943-11	CERAMIC CHIP	0.01μF	10%	16V	C3105	1-126-206-11	ELECT CHIP	100μF	20%	6.3V
C3048	1-164-943-11	CERAMIC CHIP	0.01μF	10%	16V	C3106	1-125-777-11	CERAMIC CHIP	0.1μF	10%	10V
C3049	1-164-943-11	CERAMIC CHIP	0.01μF	10%	16V	C3107	1-165-908-11	CERAMIC CHIP	1μF	10%	10V
C3050	1-164-943-11	CERAMIC CHIP	0.01μF	10%	16V	C3109	1-164-943-11	CERAMIC CHIP	0.01μF	10%	16V
C3054	1-164-943-11	CERAMIC CHIP	0.01μF	10%	16V	C3110	1-165-908-11	CERAMIC CHIP	1μF	10%	10V
C3055	1-164-943-11	CERAMIC CHIP	0.01μF	10%	16V	C3114	1-125-777-11	CERAMIC CHIP	0.1μF	10%	10V
C3056	1-164-943-11	CERAMIC CHIP	0.01μF	10%	16V	C3116	1-137-710-11	CERAMIC CHIP	10μF	20%	6.3V
C3058	1-137-710-11	CERAMIC CHIP	10μF	20%	6.3V	C3117	1-107-826-11	CERAMIC CHIP	0.1μF	10%	16V
C3059	1-126-205-11	ELECT CHIP	47μF	20%	6.3V						



REF. NO.	PART NO.	DESCRIPTION	VALUES			REF. NO.	PART NO.	DESCRIPTION	VALUES		
C3118	1-117-681-11	ELECT CHIP	100µF	20%	16V	C3256	1-164-943-11	CERAMIC CHIP	0.01µF	10%	16V
C3201	1-164-943-11	CERAMIC CHIP	0.01µF	10%	16V	C3301	1-164-943-11	CERAMIC CHIP	0.01µF	10%	16V
C3202	1-164-943-11	CERAMIC CHIP	0.01µF	10%	16V	C3302	1-125-777-11	CERAMIC CHIP	0.1µF	10%	10V
C3203	1-126-206-11	ELECT CHIP	100µF	20%	6.3V	C3303	1-125-777-11	CERAMIC CHIP	0.1µF	10%	10V
C3204	1-164-943-11	CERAMIC CHIP	0.01µF	10%	16V	C3304	1-125-777-11	CERAMIC CHIP	0.1µF	10%	10V
C3205	1-164-943-11	CERAMIC CHIP	0.01µF	10%	16V	C3305	1-125-777-11	CERAMIC CHIP	0.1µF	10%	10V
C3206	1-126-204-11	ELECT CHIP	47µF	20%	16V	C3306	1-164-943-11	CERAMIC CHIP	0.01µF	10%	16V
C3207	1-164-943-11	CERAMIC CHIP	0.01µF	10%	16V	C3307	1-126-205-11	ELECT CHIP	47µF	20%	6.3V
C3208	1-164-943-11	CERAMIC CHIP	0.01µF	10%	16V	C3308	1-126-603-11	ELECT CHIP	4.7µF	20%	35V
C3210	1-164-943-11	CERAMIC CHIP	0.01µF	10%	16V	C3309	1-125-777-11	CERAMIC CHIP	0.1µF	10%	10V
C3211	1-164-943-11	CERAMIC CHIP	0.01µF	10%	16V	C3310	1-125-777-11	CERAMIC CHIP	0.1µF	10%	10V
C3212	1-164-943-11	CERAMIC CHIP	0.01µF	10%	16V	C3311	1-125-777-11	CERAMIC CHIP	0.1µF	10%	10V
C3213	1-164-943-11	CERAMIC CHIP	0.01µF	10%	16V	C3312	1-163-021-91	CERAMIC CHIP	0.01µF	10%	50V
C3214	1-164-943-11	CERAMIC CHIP	0.01µF	10%	16V	C3313	1-125-777-11	CERAMIC CHIP	0.1µF	10%	10V
C3215	1-164-943-11	CERAMIC CHIP	0.01µF	10%	16V	C3314	1-126-206-11	ELECT CHIP	100µF	20%	6.3V
C3216	1-164-943-11	CERAMIC CHIP	0.01µF	10%	16V	C3315	1-125-777-11	CERAMIC CHIP	0.1µF	10%	10V
C3217	1-126-206-11	ELECT CHIP	100µF	20%	6.3V	C3316	1-164-943-11	CERAMIC CHIP	0.01µF	10%	16V
C3218	1-164-943-11	CERAMIC CHIP	0.01µF	10%	16V	C3317	1-125-777-11	CERAMIC CHIP	0.1µF	10%	10V
C3219	1-164-943-11	CERAMIC CHIP	0.01µF	10%	16V	C3318	1-126-205-11	ELECT CHIP	47µF	20%	6.3V
C3222	1-164-943-11	CERAMIC CHIP	0.01µF	10%	16V	C3319	1-124-779-00	ELECT CHIP	10µF	20%	16V
C3224	1-164-943-11	CERAMIC CHIP	0.01µF	10%	16V	C3320	1-128-993-21	ELECT CHIP	22µF	20%	10V
C3225	1-164-943-11	CERAMIC CHIP	0.01µF	10%	16V	C3321	1-126-204-11	ELECT CHIP	47µF	20%	16V
C3227	1-164-943-11	CERAMIC CHIP	0.01µF	10%	16V	C3322	1-126-205-11	ELECT CHIP	47µF	20%	6.3V
C3229	1-164-943-11	CERAMIC CHIP	0.01µF	10%	16V	C3323	1-126-205-11	ELECT CHIP	47µF	20%	6.3V
C3231	1-164-943-11	CERAMIC CHIP	0.01µF	10%	16V	C3325	1-126-246-11	ELECT CHIP	220µF	20%	4V
C3232	1-164-943-11	CERAMIC CHIP	0.01µF	10%	16V	C3326	1-126-205-11	ELECT CHIP	47µF	20%	6.3V
C3233	1-164-943-11	CERAMIC CHIP	0.01µF	10%	16V	C3327	1-125-777-11	CERAMIC CHIP	0.1µF	10%	10V
C3235	1-164-943-11	CERAMIC CHIP	0.01µF	10%	16V	C3328	1-125-777-11	CERAMIC CHIP	0.1µF	10%	10V
C3236	1-164-943-11	CERAMIC CHIP	0.01µF	10%	16V	C3329	1-165-643-21	ELECT CHIP	150µF	20%	4V
C3237	1-126-204-11	ELECT CHIP	47µF	20%	16V	C3330	1-125-777-11	CERAMIC CHIP	0.1µF	10%	10V
C3238	1-164-943-11	CERAMIC CHIP	0.01µF	10%	16V	C3331	1-125-777-11	CERAMIC CHIP	0.1µF	10%	10V
C3239	1-126-204-11	ELECT CHIP	47µF	20%	16V	C3332	1-125-777-11	CERAMIC CHIP	0.1µF	10%	10V
C3240	1-125-777-11	CERAMIC CHIP	0.1µF	10%	10V	C3333	1-125-777-11	CERAMIC CHIP	0.1µF	10%	10V
C3241	1-164-943-11	CERAMIC CHIP	0.01µF	10%	16V	C3334	1-125-777-11	CERAMIC CHIP	0.1µF	10%	10V
C3242	1-164-943-11	CERAMIC CHIP	0.01µF	10%	16V	C3335	1-125-777-11	CERAMIC CHIP	0.1µF	10%	10V
C3243	1-164-943-11	CERAMIC CHIP	0.01µF	10%	16V	C3336	1-164-943-11	CERAMIC CHIP	0.01µF	10%	16V
C3244	1-164-943-11	CERAMIC CHIP	0.01µF	10%	16V	C3337	1-164-943-11	CERAMIC CHIP	0.01µF	10%	16V
C3245	1-164-943-11	CERAMIC CHIP	0.01µF	10%	16V	C3338	1-164-943-11	CERAMIC CHIP	0.01µF	10%	16V
C3246	1-164-943-11	CERAMIC CHIP	0.01µF	10%	16V	C3339	1-125-777-11	CERAMIC CHIP	0.1µF	10%	10V
C3251	1-164-943-11	CERAMIC CHIP	0.01µF	10%	16V	C3340	1-124-779-00	ELECT CHIP	10µF	20%	16V
C3252	1-126-603-11	ELECT CHIP	4.7µF	20%	35V	C3341	1-125-777-11	CERAMIC CHIP	0.1µF	10%	10V
C3253	1-125-777-11	CERAMIC CHIP	0.1µF	10%	10V	C3342	1-125-777-11	CERAMIC CHIP	0.1µF	10%	10V
						C3343	1-125-777-11	CERAMIC CHIP	0.1µF	10%	10V



REF. NO.	PART NO.	DESCRIPTION	VALUES			REF. NO.	PART NO.	DESCRIPTION	VALUES		
C3344	1-164-943-11	CERAMIC CHIP	0.01μF	10%	16V	C3389	1-164-943-11	CERAMIC CHIP	0.01μF	10%	16V
C3345	1-125-777-11	CERAMIC CHIP	0.1μF	10%	10V	C3390	1-164-943-11	CERAMIC CHIP	0.01μF	10%	16V
C3346	1-125-777-11	CERAMIC CHIP	0.1μF	10%	10V	C3391	1-164-943-11	CERAMIC CHIP	0.01μF	10%	16V
C3347	1-164-943-11	CERAMIC CHIP	0.01μF	10%	16V	C3392	1-164-943-11	CERAMIC CHIP	0.01μF	10%	16V
C3348	1-164-943-11	CERAMIC CHIP	0.01μF	10%	16V	C3393	1-164-943-11	CERAMIC CHIP	0.01μF	10%	16V
C3349	1-125-777-11	CERAMIC CHIP	0.1μF	10%	10V	C3394	1-164-943-11	CERAMIC CHIP	0.01μF	10%	16V
C3350	1-125-777-11	CERAMIC CHIP	0.1μF	10%	10V	C3395	1-164-943-11	CERAMIC CHIP	0.01μF	10%	16V
C3351	1-164-854-11	CERAMIC CHIP	15pF	5%	50V	C3396	1-164-943-11	CERAMIC CHIP	0.01μF	10%	16V
C3352	1-125-777-11	CERAMIC CHIP	0.1μF	10%	10V	C3397	1-164-943-11	CERAMIC CHIP	0.01μF	10%	16V
C3353	1-124-779-00	ELECT CHIP	10μF	20%	16V	C3398	1-164-943-11	CERAMIC CHIP	0.01μF	10%	16V
C3354	1-164-854-11	CERAMIC CHIP	15pF	5%	50V	C3399	1-164-943-11	CERAMIC CHIP	0.01μF	10%	16V
C3355	1-125-777-11	CERAMIC CHIP	0.1μF	10%	10V	C3400	1-164-943-11	CERAMIC CHIP	0.01μF	10%	16V
C3356	1-124-779-00	ELECT CHIP	10μF	20%	16V	C3401	1-164-943-11	CERAMIC CHIP	0.01μF	10%	16V
C3357	1-125-777-11	CERAMIC CHIP	0.1μF	10%	10V	C3402	1-164-943-11	CERAMIC CHIP	0.01μF	10%	16V
C3359	1-164-943-11	CERAMIC CHIP	0.01μF	10%	16V	C3403	1-164-943-11	CERAMIC CHIP	0.01μF	10%	16V
C3360	1-124-779-00	ELECT CHIP	10μF	20%	16V	C3404	1-164-943-11	CERAMIC CHIP	0.01μF	10%	16V
C3361	1-164-937-11	CERAMIC CHIP	0.001μF	10%	50V	C3405	1-164-943-11	CERAMIC CHIP	0.01μF	10%	16V
C3362	1-164-937-11	CERAMIC CHIP	0.001μF	10%	50V	C3406	1-164-943-11	CERAMIC CHIP	0.01μF	10%	16V
C3364	1-164-943-11	CERAMIC CHIP	0.01μF	10%	16V	C3407	1-164-943-11	CERAMIC CHIP	0.01μF	10%	16V
C3365	1-125-777-11	CERAMIC CHIP	0.1μF	10%	10V	C3408	1-164-943-11	CERAMIC CHIP	0.01μF	10%	16V
C3366	1-164-943-11	CERAMIC CHIP	0.01μF	10%	16V	C3409	1-128-993-21	ELECT CHIP	22μF	20%	10V
C3367	1-164-943-11	CERAMIC CHIP	0.01μF	10%	16V	C3410	1-128-993-21	ELECT CHIP	22μF	20%	10V
C3368	1-164-943-11	CERAMIC CHIP	0.01μF	10%	16V	C3416	1-126-206-11	ELECT CHIP	100μF	20%	6.3V
C3369	1-164-943-11	CERAMIC CHIP	0.01μF	10%	16V	C3417	1-125-777-11	CERAMIC CHIP	0.1μF	10%	10V
C3370	1-125-777-11	CERAMIC CHIP	0.1μF	10%	10V	C3418	1-104-601-11	ELECT CHIP	10μF	20%	10V
C3371	1-125-777-11	CERAMIC CHIP	0.1μF	10%	10V	C3419	1-104-601-11	ELECT CHIP	10μF	20%	10V
C3372	1-164-943-11	CERAMIC CHIP	0.01μF	10%	16V	C3420	1-104-601-11	ELECT CHIP	10μF	20%	10V
C3373	1-164-943-11	CERAMIC CHIP	0.01μF	10%	16V	C3422	1-128-993-21	ELECT CHIP	22μF	20%	10V
C3374	1-164-943-11	CERAMIC CHIP	0.01μF	10%	16V	C3423	1-164-874-11	CERAMIC CHIP	100pF	5%	50V
C3375	1-164-943-11	CERAMIC CHIP	0.01μF	10%	16V	C3501	1-164-943-11	CERAMIC CHIP	0.01μF	10%	16V
C3376	1-164-943-11	CERAMIC CHIP	0.01μF	10%	16V	C3503	1-164-943-11	CERAMIC CHIP	0.01μF	10%	16V
C3377	1-164-943-11	CERAMIC CHIP	0.01μF	10%	16V	C3504	1-164-943-11	CERAMIC CHIP	0.01μF	10%	16V
C3378	1-164-943-11	CERAMIC CHIP	0.01μF	10%	16V	C3505	1-164-943-11	CERAMIC CHIP	0.01μF	10%	16V
C3379	1-164-943-11	CERAMIC CHIP	0.01μF	10%	16V	C3506	1-164-943-11	CERAMIC CHIP	0.01μF	10%	16V
C3380	1-164-943-11	CERAMIC CHIP	0.01μF	10%	16V	C3507	1-164-943-11	CERAMIC CHIP	0.01μF	10%	16V
C3381	1-164-943-11	CERAMIC CHIP	0.01μF	10%	16V	C3508	1-164-943-11	CERAMIC CHIP	0.01μF	10%	16V
C3382	1-164-943-11	CERAMIC CHIP	0.01μF	10%	16V	C3509	1-164-943-11	CERAMIC CHIP	0.01μF	10%	16V
C3383	1-164-943-11	CERAMIC CHIP	0.01μF	10%	16V	C3510	1-125-777-11	CERAMIC CHIP	0.1μF	10%	10V
C3384	1-164-943-11	CERAMIC CHIP	0.01μF	10%	16V	C3511	1-164-943-11	CERAMIC CHIP	0.01μF	10%	16V
C3385	1-164-943-11	CERAMIC CHIP	0.01μF	10%	16V	C3512	1-164-943-11	CERAMIC CHIP	0.01μF	10%	16V
C3386	1-164-943-11	CERAMIC CHIP	0.01μF	10%	16V	C3513	1-164-943-11	CERAMIC CHIP	0.01μF	10%	16V
C3387	1-164-943-11	CERAMIC CHIP	0.01μF	10%	16V	C3514	1-164-943-11	CERAMIC CHIP	0.01μF	10%	16V
C3388	1-164-943-11	CERAMIC CHIP	0.01μF	10%	16V						



REF. NO.	PART NO.	DESCRIPTION	VALUES			REF. NO.	PART NO.	DESCRIPTION	VALUES		
C3515	1-164-943-11	CERAMIC CHIP	0.01μF	10%	16V	C3558	1-137-710-11	CERAMIC CHIP	10μF	20%	6.3V
C3516	1-164-943-11	CERAMIC CHIP	0.01μF	10%	16V	C3559	1-137-710-11	CERAMIC CHIP	10μF	20%	6.3V
C3517	1-164-943-11	CERAMIC CHIP	0.01μF	10%	16V						
C3518	1-164-943-11	CERAMIC CHIP	0.01μF	10%	16V	C3560	1-125-777-11	CERAMIC CHIP	0.1μF	10%	10V
C3519	1-164-943-11	CERAMIC CHIP	0.01μF	10%	16V	C3561	1-164-943-11	CERAMIC CHIP	0.01μF	10%	16V
						C3562	1-164-937-11	CERAMIC CHIP	0.001μF	10%	50V
C3520	1-164-943-11	CERAMIC CHIP	0.01μF	10%	16V	C3602	1-125-777-11	CERAMIC CHIP	0.1μF	10%	10V
C3521	1-164-943-11	CERAMIC CHIP	0.01μF	10%	16V	C3603	1-164-943-11	CERAMIC CHIP	0.01μF	10%	16V
C3522	1-164-943-11	CERAMIC CHIP	0.01μF	10%	16V						
C3523	1-164-943-11	CERAMIC CHIP	0.01μF	10%	16V	C3604	1-128-993-21	ELECT CHIP	22μF	20%	10V
C3524	1-164-943-11	CERAMIC CHIP	0.01μF	10%	16V	C3605	1-125-777-11	CERAMIC CHIP	0.1μF	10%	10V
						C3606	1-128-993-21	ELECT CHIP	22μF	20%	10V
C3525	1-164-943-11	CERAMIC CHIP	0.01μF	10%	16V	C3607	1-164-943-11	CERAMIC CHIP	0.01μF	10%	16V
C3526	1-164-943-11	CERAMIC CHIP	0.01μF	10%	16V	C3608	1-125-777-11	CERAMIC CHIP	0.1μF	10%	10V
C3527	1-164-943-11	CERAMIC CHIP	0.01μF	10%	16V						
C3528	1-164-943-11	CERAMIC CHIP	0.01μF	10%	16V	C3609	1-164-943-11	CERAMIC CHIP	0.01μF	10%	16V
C3529	1-164-943-11	CERAMIC CHIP	0.01μF	10%	16V	C3610	1-125-777-11	CERAMIC CHIP	0.1μF	10%	10V
						C3611	1-128-993-21	ELECT CHIP	22μF	20%	10V
C3530	1-164-943-11	CERAMIC CHIP	0.01μF	10%	16V	C3612	1-125-777-11	CERAMIC CHIP	0.1μF	10%	10V
C3531	1-164-943-11	CERAMIC CHIP	0.01μF	10%	16V	C3613	1-128-993-21	ELECT CHIP	22μF	20%	10V
C3532	1-124-779-00	ELECT CHIP	10μF	20%	16V						
C3533	1-124-779-00	ELECT CHIP	10μF	20%	16V	C3614	1-128-993-21	ELECT CHIP	22μF	20%	10V
C3534	1-125-777-11	CERAMIC CHIP	0.1μF	10%	10V	C3615	1-164-943-11	CERAMIC CHIP	0.01μF	10%	16V
						C3616	1-164-943-11	CERAMIC CHIP	0.01μF	10%	16V
C3535	1-125-777-11	CERAMIC CHIP	0.1μF	10%	10V	C3617	1-128-993-21	ELECT CHIP	22μF	20%	10V
C3536	1-137-710-11	CERAMIC CHIP	10μF	20%	6.3V	C3618	1-125-777-11	CERAMIC CHIP	0.1μF	10%	10V
C3537	1-164-943-11	CERAMIC CHIP	0.01μF	10%	16V						
C3538	1-164-937-11	CERAMIC CHIP	0.001μF	10%	50V	C3619	1-125-777-11	CERAMIC CHIP	0.1μF	10%	10V
C3539	1-137-710-11	CERAMIC CHIP	10μF	20%	6.3V	C3620	1-137-710-11	CERAMIC CHIP	10μF	20%	6.3V
						C3621	1-125-777-11	CERAMIC CHIP	0.1μF	10%	10V
C3540	1-125-777-11	CERAMIC CHIP	0.1μF	10%	10V	C3622	1-125-777-11	CERAMIC CHIP	0.1μF	10%	10V
C3541	1-164-937-11	CERAMIC CHIP	0.001μF	10%	50V	C3625	1-125-777-11	CERAMIC CHIP	0.1μF	10%	10V
C3542	1-164-943-11	CERAMIC CHIP	0.01μF	10%	16V						
C3543	1-125-777-11	CERAMIC CHIP	0.1μF	10%	10V	C3626	1-125-777-11	CERAMIC CHIP	0.1μF	10%	10V
C3544	1-125-777-11	CERAMIC CHIP	0.1μF	10%	10V	C3627	1-117-681-11	ELECT CHIP	100μF	20%	16V
						C3628	1-117-681-11	ELECT CHIP	100μF	20%	16V
C3545	1-164-937-11	CERAMIC CHIP	0.001μF	10%	50V	C3629	1-125-777-11	CERAMIC CHIP	0.1μF	10%	10V
C3546	1-125-777-11	CERAMIC CHIP	0.1μF	10%	10V	C3630	1-164-937-11	CERAMIC CHIP	0.001μF	10%	50V
C3547	1-125-777-11	CERAMIC CHIP	0.1μF	10%	10V						
C3548	1-164-943-11	CERAMIC CHIP	0.01μF	10%	16V	C3631	1-164-852-11	CERAMIC CHIP	12pF	5%	50V
C3549	1-125-777-11	CERAMIC CHIP	0.1μF	10%	10V	C3632	1-164-852-11	CERAMIC CHIP	12pF	5%	50V
						C3633	1-125-777-11	CERAMIC CHIP	0.1μF	10%	10V
C3550	1-137-710-11	CERAMIC CHIP	10μF	20%	6.3V	C3634	1-125-777-11	CERAMIC CHIP	0.1μF	10%	10V
C3551	1-164-937-11	CERAMIC CHIP	0.001μF	10%	50V	C3635	1-164-943-11	CERAMIC CHIP	0.01μF	10%	16V
C3552	1-164-943-11	CERAMIC CHIP	0.01μF	10%	16V						
C3553	1-125-777-11	CERAMIC CHIP	0.1μF	10%	10V	C3636	1-164-937-11	CERAMIC CHIP	0.001μF	10%	50V
C3554	1-164-937-11	CERAMIC CHIP	0.001μF	10%	50V	C3637	1-125-777-11	CERAMIC CHIP	0.1μF	10%	10V
						C3638	1-125-777-11	CERAMIC CHIP	0.1μF	10%	10V
C3555	1-164-943-11	CERAMIC CHIP	0.01μF	10%	16V	C3639	1-164-856-81	CERAMIC CHIP	18pF	5%	50V
C3556	1-125-777-11	CERAMIC CHIP	0.1μF	10%	10V	C3640	1-164-854-11	CERAMIC CHIP	15pF	5%	50V
C3557	1-137-710-11	CERAMIC CHIP	10μF	20%	6.3V						



REF. NO.	PART NO.	DESCRIPTION	VALUES	REF. NO.	PART NO.	DESCRIPTION	VALUES
D3808	8-719-050-38	DIODE	M1MA152WK-T1	IC3305	6-707-044-01	IC	CYISM560BSXT
D3809	8-719-050-37	DIODE	M1MA152WA-T1	IC3306	6-706-155-01	IC	MT48LC2M32B2P-6-Y14W
				IC3307	6-706-155-01	IC	MT48LC2M32B2P-6-Y14W
		FERRITE BEAD		IC3308	8-759-592-42	IC	TC7SZ00FU(TE85R)
FB3203	1-469-110-21	FERRITE	0μH	IC3309	6-705-403-01	IC	PQ070XZ01ZPH
FB3204	1-216-864-11	SHORT CHIP		IC3502	6-702-973-01	IC	CXD9690Q
FB3301	1-414-229-11	FERRITE	0μH	IC3503	6-704-519-01	IC	THC63LVD103
FB3302	1-414-229-11	FERRITE	0μH	IC3504	6-704-632-01	IC	THC63LVD104A
		FILTER		IC3602	6-704-879-01	IC	NJU7223DL1-25
FL3001	1-234-177-21	FERRITE	0μH	IC3603	8-759-695-94	IC	TAR5S33(TE85R)
FL3002	1-234-177-21	FERRITE	0μH	IC3604	8-753-236-00	IC	CXQ91F318A-106R
FL3003	1-234-177-21	FERRITE	0μH	IC3605	6-801-402-01	IC	BD4729GTR
FL3004	1-234-177-21	FERRITE	0μH	IC3606	6-801-402-01	IC	BD4729GTR
FL3005	1-234-560-21	FILTER, LOW PASS		IC3607	6-702-688-01	IC	M24C64-WMMN6T(B)
FL3006	1-234-560-21	FILTER, LOW PASS		IC3608	6-706-487-01	IC	TC7SH08FU(T5RSOYJF)
FL3007	1-234-177-21	FERRITE	0μH	IC3801	6-804-653-01	IC	M306VSMG-537FPU0
FL3200	1-234-177-21	FERRITE	0μH	IC3802	8-759-488-29	IC	TC7W66FU(TE12R)
FL3201	1-234-177-21	FERRITE	0μH	IC3803	6-704-067-01	IC	M24128-BWMN6T(A)
FL3601	1-234-494-21	FILTER, EMI REMOVAL (SMD)		IC3804	8-759-677-29	IC	TC74LVX125FT(EL)
FL3602	1-234-494-21	FILTER, EMI REMOVAL (SMD)		IC3805	6-701-680-01	IC	PST3629NR
FL3604	1-234-494-21	FILTER, EMI REMOVAL (SMD)		IC3806	6-701-680-01	IC	PST3629NR
FL3605	1-234-494-21	FILTER, EMI REMOVAL (SMD)		IC3807	6-801-402-01	IC	BD4729GTR
FL3606	1-234-494-21	FILTER, EMI REMOVAL (SMD)		IC3808	6-702-767-01	IC	BD4745G-TR
		IC				COIL	
IC3001	8-753-209-17	IC	CXD3807GB	L3001	1-469-549-21	INDUCTOR	1μH
IC3002	6-705-403-01	IC	PQ070XZ01ZPH	L3004	1-469-549-21	INDUCTOR	1μH
IC3003	6-706-873-01	IC	MT48LC4M16A2P-75-Y14W-G	L3005	1-469-549-21	INDUCTOR	1μH
IC3004	6-706-892-01	IC	SM5302AS-G-ET	L3006	1-469-549-21	INDUCTOR	1μH
IC3005	6-706-892-01	IC	SM5302AS-G-ET	L3007	1-469-549-21	INDUCTOR	1μH
IC3006	8-759-680-92	IC	MAX4018EEE-TG068	L3008	1-469-549-21	INDUCTOR	1μH
IC3008	8-759-581-11	IC	NJM2125F(TE2)	L3009	1-469-549-21	INDUCTOR	1μH
IC3201	8-752-422-52	IC	CXD2097BQ	L3010	1-469-549-21	INDUCTOR	1μH
IC3202	6-705-992-11	IC	HY57V161610ETP-7DR	L3011	1-412-029-11	INDUCTOR	10μH
IC3204	8-759-669-78	IC	TLC2933IPWR-12	L3012	1-412-029-11	INDUCTOR	10μH
IC3301	8-759-669-75	IC	TLC2932IPWR	L3013	1-469-549-21	INDUCTOR	1μH
IC3302	6-706-487-01	IC	TC7SH08FU(T5RSOYJF)	L3015	1-469-555-21	INDUCTOR	10μH
IC3303	6-705-921-01	IC	TLV5734	L3016	1-469-549-21	INDUCTOR	1μH
IC3304	6-704-992-01	IC	CXD9707DGP	L3017	1-469-549-21	INDUCTOR	1μH
				L3201	1-469-549-21	INDUCTOR	1μH
				L3202	1-469-561-21	INDUCTOR	100μH
				L3203	1-469-561-21	INDUCTOR	100μH



REF. NO.	PART NO.	DESCRIPTION	VALUES			REF. NO.	PART NO.	DESCRIPTION	VALUES		
Q3803	8-729-905-35	TRANSISTOR	2SC4081-R			R3043	1-208-683-11	METAL CHIP	1K	0.50%	1/16W
Q3804	8-729-905-35	TRANSISTOR	2SC4081-R			R3044	1-218-849-11	METAL CHIP	1.2K	0.50%	1/10W
Q3805	8-729-905-35	TRANSISTOR	2SC4081-R			R3045	1-208-885-11	METAL CHIP	820	0.50%	1/16W
Q3807	8-729-905-35	TRANSISTOR	2SC4081-R			R3046	1-218-943-11	RES-CHIP	150	5%	1/16W
Q3808	8-729-028-28	TRANSISTOR	2SK2036(TE85L)			R3047	1-218-943-11	RES-CHIP	150	5%	1/16W
Q3809	8-729-028-28	TRANSISTOR	2SK2036(TE85L)			R3048	1-218-943-11	RES-CHIP	150	5%	1/16W
						R3049	1-218-943-11	RES-CHIP	150	5%	1/16W
						R3050	1-218-943-11	RES-CHIP	150	5%	1/16W
						R3051	1-218-943-11	RES-CHIP	150	5%	1/16W
						R3052	1-218-990-11	SHORT CHIP			
						R3053	1-218-943-11	RES-CHIP	150	5%	1/16W
						R3054	1-218-937-11	RES-CHIP	47	5%	1/16W
						R3055	1-218-990-11	SHORT CHIP			
						R3056	1-218-937-11	RES-CHIP	47	5%	1/16W
						R3057	1-218-941-81	RES-CHIP	100	5%	1/16W
						R3058	1-218-937-11	RES-CHIP	47	5%	1/16W
						R3059	1-218-948-11	RES-CHIP	390	5%	1/16W
						R3060	1-218-939-11	RES-CHIP	68	5%	1/16W
						R3061	1-218-929-11	RES-CHIP	10	5%	1/16W
						R3062	1-218-949-11	RES-CHIP	470	5%	1/16W
						R3063	1-218-937-11	RES-CHIP	47	5%	1/16W
						R3064	1-208-679-11	METAL CHIP	680	0.50%	1/16W
						R3065	1-208-679-11	METAL CHIP	680	0.50%	1/16W
						R3066	1-208-683-11	METAL CHIP	1K	0.50%	1/16W
						R3067	1-218-941-11	RES-CHIP	100	5%	1/16W
						R3070	1-218-929-11	RES-CHIP	10	5%	1/16W
						R3071	1-218-953-11	RES-CHIP	1K	5%	1/16W
						R3072	1-218-937-11	RES-CHIP	47	5%	1/16W
						R3073	1-218-937-11	RES-CHIP	47	5%	1/16W
						R3074	1-218-937-11	RES-CHIP	47	5%	1/16W
						R3076	1-208-675-11	METAL CHIP	470	0.50%	1/16W
						R3077	1-218-957-11	RES-CHIP	2.2K	5%	1/16W
						R3078	1-218-957-11	RES-CHIP	2.2K	5%	1/16W
						R3079	1-208-679-11	METAL CHIP	680	0.50%	1/16W
						R3080	1-208-679-11	METAL CHIP	680	0.50%	1/16W
						R3081	1-218-948-11	RES-CHIP	390	5%	1/16W
						R3082	1-208-675-11	METAL CHIP	470	0.50%	1/16W
						R3083	1-218-948-11	RES-CHIP	390	5%	1/16W
						R3084	1-208-675-11	METAL CHIP	470	0.50%	1/16W
						R3085	1-208-683-11	METAL CHIP	1K	0.50%	1/16W
						R3086	1-218-941-11	RES-CHIP	100	5%	1/16W
						R3087	1-218-929-11	RES-CHIP	10	5%	1/16W
						R3088	1-218-929-11	RES-CHIP	10	5%	1/16W

RESISTOR



REF. NO.	PART NO.	DESCRIPTION	VALUES			REF. NO.	PART NO.	DESCRIPTION	VALUES		
R3089	1-218-929-11	RES-CHIP	10	5%	1/16W	R3149	1-208-683-11	METAL CHIP	1K	0.50%	1/16W
R3090	1-218-953-11	RES-CHIP	1K	5%	1/16W	R3150	1-208-683-11	METAL CHIP	1K	0.50%	1/16W
R3091	1-218-953-11	RES-CHIP	1K	5%	1/16W	R3151	1-208-671-11	METAL CHIP	330	0.50%	1/16W
R3092	1-218-953-11	RES-CHIP	1K	5%	1/16W	R3152	1-218-937-11	RES-CHIP	47	5%	1/16W
R3093	1-218-929-11	RES-CHIP	10	5%	1/16W	R3153	1-208-687-11	METAL CHIP	1.5K	0.50%	1/16W
R3094	1-218-929-11	RES-CHIP	10	5%	1/16W	R3154	1-208-647-11	METAL CHIP	33	0.50%	1/16W
R3095	1-208-893-11	METAL CHIP	1.8K	0.50%	1/16W	R3155	1-218-937-11	RES-CHIP	47	5%	1/16W
R3096	1-208-893-11	METAL CHIP	1.8K	0.50%	1/16W	R3156	1-218-990-11	SHORT CHIP			
R3097	1-218-929-11	RES-CHIP	10	5%	1/16W	R3157	1-218-990-11	SHORT CHIP			
R3098	1-218-929-11	RES-CHIP	10	5%	1/16W	R3158	1-218-990-11	SHORT CHIP			
R3100	1-218-990-11	SHORT CHIP				R3159	1-218-990-11	SHORT CHIP			
R3102	1-218-990-11	SHORT CHIP				R3160	1-218-990-11	SHORT CHIP			
R3103	1-218-990-11	SHORT CHIP				R3161	1-218-990-11	SHORT CHIP			
R3104	1-218-990-11	SHORT CHIP				R3162	1-218-957-11	RES-CHIP	2.2K	5%	1/16W
R3106	1-218-990-11	SHORT CHIP				R3163	1-218-957-11	RES-CHIP	2.2K	5%	1/16W
R3107	1-218-959-11	RES-CHIP	3.3K	5%	1/16W	R3164	1-208-675-11	METAL CHIP	470	0.50%	1/16W
R3109	1-218-963-11	RES-CHIP	6.8K	5%	1/16W	R3167	1-218-945-11	RES-CHIP	220	5%	1/16W
R3110	1-218-990-11	SHORT CHIP				R3168	1-208-861-81	METAL CHIP	82	0.50%	1/16W
R3111	1-218-943-11	RES-CHIP	150	5%	1/16W	R3170	1-218-959-11	RES-CHIP	3.3K	5%	1/16W
R3112	1-218-947-11	RES-CHIP	330	5%	1/16W	R3171	1-218-941-81	RES-CHIP	100	5%	1/16W
R3113	1-220-174-11	RES-CHIP	200	5%	1/16W	R3172	1-218-955-11	RES-CHIP	1.5K	5%	1/16W
R3114	1-220-174-11	RES-CHIP	200	5%	1/16W	R3173	1-218-941-81	RES-CHIP	100	5%	1/16W
R3115	1-218-953-11	RES-CHIP	1K	5%	1/16W	R3181	1-218-955-11	RES-CHIP	1.5K	5%	1/16W
R3116	1-218-990-11	SHORT CHIP				R3182	1-218-937-11	RES-CHIP	47	5%	1/16W
R3117	1-218-990-11	SHORT CHIP				R3187	1-218-990-11	SHORT CHIP			
R3118	1-218-849-11	METAL CHIP	1.2K	0.50%	1/10W	R3188	1-218-949-11	RES-CHIP	470	5%	1/16W
R3119	1-208-679-11	METAL CHIP	680	0.50%	1/16W	R3191	1-218-965-11	RES-CHIP	10K	5%	1/16W
R3120	1-208-893-11	METAL CHIP	1.8K	0.50%	1/16W	R3196	1-218-990-11	SHORT CHIP			
R3121	1-218-971-11	RES-CHIP	33K	5%	1/16W	R3201	1-216-864-11	SHORT CHIP			
R3122	1-208-893-11	METAL CHIP	1.8K	0.50%	1/16W	R3219	1-218-990-11	SHORT CHIP			
R3123	1-218-990-11	SHORT CHIP				R3221	1-218-990-11	SHORT CHIP			
R3124	1-208-679-11	METAL CHIP	680	0.50%	1/16W	R3239	1-218-990-11	SHORT CHIP			
R3125	1-218-849-11	METAL CHIP	1.2K	0.50%	1/10W	R3244	1-218-990-11	SHORT CHIP			
R3128	1-218-943-11	RES-CHIP	150	5%	1/16W	R3246	1-218-990-11	SHORT CHIP			
R3129	1-218-947-11	RES-CHIP	330	5%	1/16W	R3247	1-218-990-11	SHORT CHIP			
R3130	1-220-174-11	RES-CHIP	200	5%	1/16W	R3248	1-218-990-11	SHORT CHIP			
R3135	1-220-174-11	RES-CHIP	200	5%	1/16W	R3249	1-218-990-11	SHORT CHIP			
R3136	1-218-953-11	RES-CHIP	1K	5%	1/16W	R3251	1-218-965-11	RES-CHIP	10K	5%	1/16W
R3138	1-218-929-11	RES-CHIP	10	5%	1/16W	R3252	1-218-945-11	RES-CHIP	220	5%	1/16W
R3140	1-218-990-11	SHORT CHIP				R3253	1-218-990-11	SHORT CHIP			
R3147	1-218-937-11	RES-CHIP	47	5%	1/16W	R3255	1-216-801-11	METAL CHIP	22	5%	1/10W
R3148	1-218-864-11	METAL CHIP	5.1K	0.50%	1/10W	R3256	1-208-898-81	METAL CHIP	3K	0.50%	1/16W
						R3257	1-218-941-81	RES-CHIP	100	5%	1/16W



REF. NO.	PART NO.	DESCRIPTION	VALUES			REF. NO.	PART NO.	DESCRIPTION	VALUES		
R3262	1-218-941-81	RES-CHIP	100	5%	1/16W	R3332	1-218-660-91	METAL CHIP	47	0.50%	1/10W
R3264	1-218-947-11	RES-CHIP	330	5%	1/16W	R3333	1-218-664-11	METAL CHIP	68	0.50%	1/10W
R3265	1-218-985-11	RES-CHIP	470K	5%	1/16W	R3334	1-218-933-11	RES-CHIP	22	5%	1/16W
R3266	1-218-969-11	RES-CHIP	22K	5%	1/16W	R3335	1-218-933-11	RES-CHIP	22	5%	1/16W
R3267	1-218-945-11	RES-CHIP	220	5%	1/16W	R3336	1-218-990-11	SHORT CHIP			
R3268	1-218-953-11	RES-CHIP	1K	5%	1/16W	R3337	1-218-990-11	SHORT CHIP			
R3269	1-218-985-11	RES-CHIP	470K	5%	1/16W	R3338	1-218-990-11	SHORT CHIP			
R3270	1-218-959-11	RES-CHIP	3.3K	5%	1/16W	R3339	1-218-990-11	SHORT CHIP			
R3272	1-216-805-11	METAL CHIP	47	5%	1/10W	R3340	1-218-990-11	SHORT CHIP			
R3276	1-543-949-22	FERRITE	0μH			R3341	1-218-990-11	SHORT CHIP			
R3277	1-543-949-22	FERRITE	0μH			R3342	1-218-990-11	SHORT CHIP			
R3284	1-218-935-11	RES-CHIP	33	5%	1/16W	R3343	1-218-933-11	RES-CHIP	22	5%	1/16W
R3285	1-218-942-11	RES-CHIP	120	5%	1/16W	R3344	1-218-990-11	SHORT CHIP			
R3286	1-218-942-11	RES-CHIP	120	5%	1/16W	R3345	1-218-933-11	RES-CHIP	22	5%	1/16W
R3288	1-218-990-11	SHORT CHIP				R3346	1-218-990-11	SHORT CHIP			
R3301	1-218-937-11	RES-CHIP	47	5%	1/16W	R3347	1-218-990-11	SHORT CHIP			
R3302	1-218-937-11	RES-CHIP	47	5%	1/16W	R3348	1-218-990-11	SHORT CHIP			
R3303	1-218-967-11	RES-CHIP	15K	5%	1/16W	R3349	1-218-990-11	SHORT CHIP			
R3304	1-218-967-11	RES-CHIP	15K	5%	1/16W	R3350	1-218-990-11	SHORT CHIP			
R3306	1-216-820-11	METAL CHIP	820	5%	1/10W	R3352	1-218-937-11	RES-CHIP	47	5%	1/16W
R3309	1-216-821-11	METAL CHIP	1K	5%	1/10W	R3353	1-218-990-11	SHORT CHIP			
R3310	1-218-967-11	RES-CHIP	15K	5%	1/16W	R3355	1-218-937-11	RES-CHIP	47	5%	1/16W
R3311	1-216-855-11	METAL CHIP	680K	5%	1/10W	R3356	1-218-990-11	SHORT CHIP			
R3312	1-218-709-11	METAL CHIP	5.1K	0.50%	1/10W	R3358	1-218-937-11	RES-CHIP	47	5%	1/16W
R3313	1-216-855-11	METAL CHIP	680K	5%	1/10W	R3359	1-218-933-11	RES-CHIP	22	5%	1/16W
R3315	1-218-990-11	SHORT CHIP				R3360	1-218-933-11	RES-CHIP	22	5%	1/16W
R3316	1-218-957-11	RES-CHIP	2.2K	5%	1/16W	R3361	1-218-990-11	SHORT CHIP			
R3317	1-218-945-11	RES-CHIP	220	5%	1/16W	R3362	1-218-990-11	SHORT CHIP			
R3318	1-218-941-81	RES-CHIP	100	5%	1/16W	R3363	1-218-933-11	RES-CHIP	22	5%	1/16W
R3319	1-216-841-11	METAL CHIP	47K	5%	1/10W	R3364	1-218-935-11	RES-CHIP	33	5%	1/16W
R3320	1-218-662-11	METAL CHIP	56	0.50%	1/10W	R3366	1-218-990-11	SHORT CHIP			
R3321	1-218-662-11	METAL CHIP	56	0.50%	1/10W	R3367	1-218-945-11	RES-CHIP	220	5%	1/16W
R3322	1-218-664-11	METAL CHIP	68	0.50%	1/10W	R3368	1-218-990-11	SHORT CHIP			
R3323	1-216-815-11	METAL CHIP	330	5%	1/10W	R3369	1-218-983-11	RES-CHIP	330K	5%	1/16W
R3324	1-218-662-11	METAL CHIP	56	0.50%	1/10W	R3370	1-218-990-11	SHORT CHIP			
R3325	1-218-662-11	METAL CHIP	56	0.50%	1/10W	R3371	1-218-937-11	RES-CHIP	47	5%	1/16W
R3326	1-218-664-11	METAL CHIP	68	0.50%	1/10W	R3372	1-218-937-11	RES-CHIP	47	5%	1/16W
R3327	1-218-662-11	METAL CHIP	56	0.50%	1/10W	R3373	1-218-933-11	RES-CHIP	22	5%	1/16W
R3328	1-218-662-11	METAL CHIP	56	0.50%	1/10W	R3374	1-218-990-11	SHORT CHIP			
R3329	1-218-664-11	METAL CHIP	68	0.50%	1/10W	R3375	1-218-933-11	RES-CHIP	22	5%	1/16W
R3330	1-216-815-11	METAL CHIP	330	5%	1/10W	R3376	1-218-990-11	SHORT CHIP			
R3331	1-218-660-91	METAL CHIP	47	0.50%	1/10W	R3377	1-218-990-11	SHORT CHIP			
						R3378	1-218-990-11	SHORT CHIP			



REF. NO.	PART NO.	DESCRIPTION	VALUES			REF. NO.	PART NO.	DESCRIPTION	VALUES		
R3379	1-218-990-11	SHORT CHIP				R3501	1-218-937-11	RES-CHIP	47	5%	1/16W
R3380	1-218-965-11	RES-CHIP	10K	5%	1/16W	R3503	1-218-965-11	RES-CHIP	10K	5%	1/16W
R3381	1-218-990-11	SHORT CHIP				R3504	1-218-933-11	RES-CHIP	22	5%	1/16W
R3382	1-218-965-11	RES-CHIP	10K	5%	1/16W	R3505	1-218-953-11	RES-CHIP	1K	5%	1/16W
R3383	1-218-965-11	RES-CHIP	10K	5%	1/16W	R3507	1-218-990-11	SHORT CHIP			
R3384	1-218-965-11	RES-CHIP	10K	5%	1/16W	R3508	1-218-933-11	RES-CHIP	22	5%	1/16W
R3385	1-218-990-11	SHORT CHIP				R3509	1-218-933-11	RES-CHIP	22	5%	1/16W
R3387	1-218-939-11	RES-CHIP	68	5%	1/16W	R3510	1-218-937-11	RES-CHIP	47	5%	1/16W
R3388	1-218-939-11	RES-CHIP	68	5%	1/16W	R3511	1-216-805-11	METAL CHIP	47	5%	1/10W
R3389	1-218-939-11	RES-CHIP	68	5%	1/16W	R3512	1-218-937-11	RES-CHIP	47	5%	1/16W
R3390	1-218-939-11	RES-CHIP	68	5%	1/16W	R3513	1-218-937-11	RES-CHIP	47	5%	1/16W
R3391	1-218-939-11	RES-CHIP	68	5%	1/16W	R3514	1-216-805-11	METAL CHIP	47	5%	1/10W
R3392	1-218-939-11	RES-CHIP	68	5%	1/16W	R3515	1-218-937-11	RES-CHIP	47	5%	1/16W
R3394	1-218-939-11	RES-CHIP	68	5%	1/16W	R3516	1-218-937-11	RES-CHIP	47	5%	1/16W
R3395	1-218-939-11	RES-CHIP	68	5%	1/16W	R3517	1-218-937-11	RES-CHIP	47	5%	1/16W
R3396	1-218-939-11	RES-CHIP	68	5%	1/16W	R3518	1-218-937-11	RES-CHIP	47	5%	1/16W
R3397	1-218-939-11	RES-CHIP	68	5%	1/16W	R3520	1-216-805-11	METAL CHIP	47	5%	1/10W
R3398	1-218-939-11	RES-CHIP	68	5%	1/16W	R3522	1-218-990-11	SHORT CHIP			
R3399	1-218-939-11	RES-CHIP	68	5%	1/16W	R3523	1-218-939-11	RES-CHIP	68	5%	1/16W
R3400	1-218-939-11	RES-CHIP	68	5%	1/16W	R3524	1-218-939-11	RES-CHIP	68	5%	1/16W
R3401	1-218-929-11	RES-CHIP	10	5%	1/16W	R3525	1-218-990-11	SHORT CHIP			
R3402	1-218-937-11	RES-CHIP	47	5%	1/16W	R3527	1-218-990-11	SHORT CHIP			
R3403	1-218-937-11	RES-CHIP	47	5%	1/16W	R3528	1-218-977-11	RES-CHIP	100K	5%	1/16W
R3404	1-218-937-11	RES-CHIP	47	5%	1/16W	R3529	1-218-977-11	RES-CHIP	100K	5%	1/16W
R3411	1-208-675-11	METAL CHIP	470	0.50%	1/16W	R3531	1-218-939-11	RES-CHIP	68	5%	1/16W
R3412	1-208-675-11	METAL CHIP	470	0.50%	1/16W	R3532	1-216-864-11	SHORT CHIP			
R3413	1-208-675-11	METAL CHIP	470	0.50%	1/16W	R3533	1-216-864-11	SHORT CHIP			
R3414	1-208-675-11	METAL CHIP	470	0.50%	1/16W	R3534	1-216-864-11	SHORT CHIP			
R3415	1-208-675-11	METAL CHIP	470	0.50%	1/16W	R3535	1-218-941-11	RES-CHIP	100	5%	1/16W
R3416	1-208-675-11	METAL CHIP	470	0.50%	1/16W	R3536	1-218-941-11	RES-CHIP	100	5%	1/16W
R3417	1-218-929-11	RES-CHIP	10	5%	1/16W	R3537	1-218-941-11	RES-CHIP	100	5%	1/16W
R3418	1-218-929-11	RES-CHIP	10	5%	1/16W	R3538	1-218-941-11	RES-CHIP	100	5%	1/16W
R3419	1-218-929-11	RES-CHIP	10	5%	1/16W	R3539	1-218-941-11	RES-CHIP	100	5%	1/16W
R3420	1-218-953-11	RES-CHIP	1K	5%	1/16W	R3540	1-218-941-11	RES-CHIP	100	5%	1/16W
R3421	1-218-953-11	RES-CHIP	1K	5%	1/16W	R3544	1-218-965-11	RES-CHIP	10K	5%	1/16W
R3422	1-218-953-11	RES-CHIP	1K	5%	1/16W	R3545	1-218-965-11	RES-CHIP	10K	5%	1/16W
R3424	1-218-937-11	RES-CHIP	47	5%	1/16W	R3546	1-218-965-11	RES-CHIP	10K	5%	1/16W
R3427	1-218-990-11	SHORT CHIP				R3547	1-218-965-11	RES-CHIP	10K	5%	1/16W
R3429	1-218-941-81	RES-CHIP	100	5%	1/16W	R3548	1-218-965-11	RES-CHIP	10K	5%	1/16W
R3430	1-208-687-11	METAL CHIP	1.5K	0.50%	1/16W	R3605	1-218-973-11	RES-CHIP	47K	5%	1/16W
R3431	1-208-683-11	METAL CHIP	1K	0.50%	1/16W	R3606	1-218-941-81	RES-CHIP	100	5%	1/16W
R3432	1-208-911-11	METAL CHIP	10K	0.50%	1/16W	R3607	1-216-864-11	SHORT CHIP			
						R3608	1-218-985-11	RES-CHIP	470K	5%	1/16W



REF. NO.	PART NO.	DESCRIPTION	VALUES			REF. NO.	PART NO.	DESCRIPTION	VALUES		
R3609	1-218-941-81	RES-CHIP	100	5%	1/16W	R3663	1-218-965-11	RES-CHIP	10K	5%	1/16W
R3614	1-218-973-11	RES-CHIP	47K	5%	1/16W	R3664	1-218-965-11	RES-CHIP	10K	5%	1/16W
R3615	1-218-937-11	RES-CHIP	47	5%	1/16W	R3665	1-218-965-11	RES-CHIP	10K	5%	1/16W
R3616	1-218-937-11	RES-CHIP	47	5%	1/16W	R3666	1-218-937-11	RES-CHIP	47	5%	1/16W
R3617	1-218-937-11	RES-CHIP	47	5%	1/16W	R3667	1-218-971-11	RES-CHIP	33K	5%	1/16W
R3619	1-218-965-11	RES-CHIP	10K	5%	1/16W	R3668	1-218-953-11	RES-CHIP	1K	5%	1/16W
R3620	1-218-937-11	RES-CHIP	47	5%	1/16W	R3670	1-218-941-81	RES-CHIP	100	5%	1/16W
R3621	1-218-955-11	RES-CHIP	1.5K	5%	1/16W	R3671	1-218-990-11	SHORT CHIP			
R3622	1-218-937-11	RES-CHIP	47	5%	1/16W	R3672	1-218-977-11	RES-CHIP	100K	5%	1/16W
R3624	1-218-937-11	RES-CHIP	47	5%	1/16W	R3673	1-218-937-11	RES-CHIP	47	5%	1/16W
R3625	1-218-933-11	RES-CHIP	22	5%	1/16W	R3674	1-218-937-11	RES-CHIP	47	5%	1/16W
R3628	1-218-965-11	RES-CHIP	10K	5%	1/16W	R3675	1-218-953-11	RES-CHIP	1K	5%	1/16W
R3629	1-218-965-11	RES-CHIP	10K	5%	1/16W	R3676	1-218-973-11	RES-CHIP	47K	5%	1/16W
R3630	1-218-937-11	RES-CHIP	47	5%	1/16W	R3677	1-218-941-81	RES-CHIP	100	5%	1/16W
R3631	1-218-937-11	RES-CHIP	47	5%	1/16W	R3678	1-218-965-11	RES-CHIP	10K	5%	1/16W
R3632	1-218-937-11	RES-CHIP	47	5%	1/16W	R3679	1-218-929-11	RES-CHIP	10	5%	1/16W
R3633	1-218-937-11	RES-CHIP	47	5%	1/16W	R3680	1-218-929-11	RES-CHIP	10	5%	1/16W
R3634	1-218-965-11	RES-CHIP	10K	5%	1/16W	R3681	1-218-929-11	RES-CHIP	10	5%	1/16W
R3636	1-218-965-11	RES-CHIP	10K	5%	1/16W	R3682	1-218-929-11	RES-CHIP	10	5%	1/16W
R3637	1-218-941-81	RES-CHIP	100	5%	1/16W	R3683	1-218-965-11	RES-CHIP	10K	5%	1/16W
R3638	1-218-971-11	RES-CHIP	33K	5%	1/16W	R3684	1-218-965-11	RES-CHIP	10K	5%	1/16W
R3639	1-218-937-11	RES-CHIP	47	5%	1/16W	R3685	1-218-953-11	RES-CHIP	1K	5%	1/16W
R3640	1-218-937-11	RES-CHIP	47	5%	1/16W	R3686	1-218-953-11	RES-CHIP	1K	5%	1/16W
R3641	1-218-977-11	RES-CHIP	100K	5%	1/16W	R3687	1-218-941-81	RES-CHIP	100	5%	1/16W
R3642	1-218-973-11	RES-CHIP	47K	5%	1/16W	R3688	1-218-941-81	RES-CHIP	100	5%	1/16W
R3643	1-218-941-81	RES-CHIP	100	5%	1/16W	R3689	1-218-937-11	RES-CHIP	47	5%	1/16W
R3644	1-218-941-81	RES-CHIP	100	5%	1/16W	R3690	1-218-941-81	RES-CHIP	100	5%	1/16W
R3645	1-218-965-11	RES-CHIP	10K	5%	1/16W	R3691	1-218-941-81	RES-CHIP	100	5%	1/16W
R3646	1-218-941-81	RES-CHIP	100	5%	1/16W	R3692	1-218-941-81	RES-CHIP	100	5%	1/16W
R3647	1-218-937-11	RES-CHIP	47	5%	1/16W	R3694	1-218-937-11	RES-CHIP	47	5%	1/16W
R3648	1-218-937-11	RES-CHIP	47	5%	1/16W	R3695	1-218-941-81	RES-CHIP	100	5%	1/16W
R3649	1-218-965-11	RES-CHIP	10K	5%	1/16W	R3696	1-218-937-11	RES-CHIP	47	5%	1/16W
R3650	1-208-699-11	METAL CHIP	4.7K	0.50%	1/16W	R3697	1-218-937-11	RES-CHIP	47	5%	1/16W
R3651	1-218-937-11	RES-CHIP	47	5%	1/16W	R3698	1-218-941-81	RES-CHIP	100	5%	1/16W
R3652	1-208-699-11	METAL CHIP	4.7K	0.50%	1/16W	R3699	1-218-953-11	RES-CHIP	1K	5%	1/16W
R3653	1-218-965-11	RES-CHIP	10K	5%	1/16W	R3700	1-218-973-11	RES-CHIP	47K	5%	1/16W
R3655	1-218-937-11	RES-CHIP	47	5%	1/16W	R3701	1-220-804-11	RES-CHIP	2.2M	5%	1/16W
R3657	1-218-983-11	RES-CHIP	330K	5%	1/16W	R3702	1-218-969-11	RES-CHIP	22K	5%	1/16W
R3658	1-218-941-81	RES-CHIP	100	5%	1/16W	R3703	1-218-937-11	RES-CHIP	47	5%	1/16W
R3660	1-219-570-11	METAL CHIP	10M	5%	1/10W	R3704	1-218-937-11	RES-CHIP	47	5%	1/16W
R3661	1-218-979-11	RES-CHIP	150K	5%	1/16W	R3705	1-218-949-11	RES-CHIP	470	5%	1/16W
R3662	1-218-969-11	RES-CHIP	22K	5%	1/16W	R3706	1-218-937-11	RES-CHIP	47	5%	1/16W
						R3707	1-218-990-11	SHORT CHIP			



REF. NO.	PART NO.	DESCRIPTION	VALUES			REF. NO.	PART NO.	DESCRIPTION	VALUES		
R3709	1-218-965-11	RES-CHIP	10K	5%	1/16W	R3760	1-208-699-11	METAL CHIP	4.7K	0.50%	1/16W
R3710	1-218-969-11	RES-CHIP	22K	5%	1/16W	R3761	1-218-957-11	RES-CHIP	2.2K	5%	1/16W
R3712	1-218-969-11	RES-CHIP	22K	5%	1/16W	R3762	1-218-957-11	RES-CHIP	2.2K	5%	1/16W
R3713	1-218-990-11	SHORT CHIP				R3763	1-218-937-11	RES-CHIP	47	5%	1/16W
R3714	1-218-965-11	RES-CHIP	10K	5%	1/16W	R3764	1-218-937-11	RES-CHIP	47	5%	1/16W
R3716	1-218-957-11	RES-CHIP	2.2K	5%	1/16W	R3765	1-218-849-11	METAL CHIP	1.2K	0.50%	1/10W
R3718	1-218-965-11	RES-CHIP	10K	5%	1/16W	R3766	1-216-296-11	SHORT CHIP			
R3719	1-218-965-11	RES-CHIP	10K	5%	1/16W	R3767	1-216-296-11	SHORT CHIP			
R3723	1-218-990-11	SHORT CHIP				R3768	1-216-296-11	SHORT CHIP			
R3724	1-218-961-11	RES-CHIP	4.7K	5%	1/16W	R3769	1-216-296-11	SHORT CHIP			
R3725	1-218-973-11	RES-CHIP	47K	5%	1/16W	R3770	1-216-296-11	SHORT CHIP			
R3726	1-218-971-11	RES-CHIP	33K	5%	1/16W	R3771	1-218-990-11	SHORT CHIP			
R3727	1-218-965-11	RES-CHIP	10K	5%	1/16W	R3772	1-218-990-11	SHORT CHIP			
R3728	1-218-949-11	RES-CHIP	470	5%	1/16W	R3773	1-218-990-11	SHORT CHIP			
R3729	1-218-937-11	RES-CHIP	47	5%	1/16W	R3774	1-218-941-81	RES-CHIP	100	5%	1/16W
R3730	1-218-941-81	RES-CHIP	100	5%	1/16W	R3775	1-218-849-11	METAL CHIP	1.2K	0.50%	1/10W
R3731	1-218-990-11	SHORT CHIP				R3776	1-218-849-11	METAL CHIP	1.2K	0.50%	1/10W
R3733	1-218-990-11	SHORT CHIP				R3777	1-218-990-11	SHORT CHIP			
R3734	1-218-990-11	SHORT CHIP				R3778	1-218-990-11	SHORT CHIP			
R3735	1-218-965-11	RES-CHIP	10K	5%	1/16W	R3779	1-218-990-11	SHORT CHIP			
R3736	1-218-965-11	RES-CHIP	10K	5%	1/16W	R3780	1-218-937-11	RES-CHIP	47	5%	1/16W
R3738	1-218-965-11	RES-CHIP	10K	5%	1/16W	R3781	1-218-937-11	RES-CHIP	47	5%	1/16W
R3739	1-218-990-11	SHORT CHIP				R3783	1-218-965-11	RES-CHIP	10K	5%	1/16W
R3740	1-218-990-11	SHORT CHIP				R3784	1-218-945-11	RES-CHIP	220	5%	1/16W
R3741	1-218-990-11	SHORT CHIP				R3785	1-218-945-11	RES-CHIP	220	5%	1/16W
R3742	1-218-956-11	RES-CHIP	1.8K	5%	1/16W	R3786	1-218-945-11	RES-CHIP	220	5%	1/16W
R3744	1-218-956-11	RES-CHIP	1.8K	5%	1/16W	R3792	1-218-990-11	SHORT CHIP			
R3745	1-218-937-11	RES-CHIP	47	5%	1/16W	R3793	1-208-929-11	METAL CHIP	56K	0.50%	1/16W
R3746	1-218-937-11	RES-CHIP	47	5%	1/16W	R3794	1-208-929-11	METAL CHIP	56K	0.50%	1/16W
R3747	1-218-937-11	RES-CHIP	47	5%	1/16W	R3801	1-218-965-11	RES-CHIP	10K	5%	1/16W
R3748	1-218-937-11	RES-CHIP	47	5%	1/16W	R3802	1-218-965-11	RES-CHIP	10K	5%	1/16W
R3749	1-218-953-11	RES-CHIP	1K	5%	1/16W	R3805	1-218-965-11	RES-CHIP	10K	5%	1/16W
R3750	1-218-953-11	RES-CHIP	1K	5%	1/16W	R3806	1-218-965-11	RES-CHIP	10K	5%	1/16W
R3751	1-218-953-11	RES-CHIP	1K	5%	1/16W	R3808	1-218-937-11	RES-CHIP	47	5%	1/16W
R3752	1-218-953-11	RES-CHIP	1K	5%	1/16W	R3809	1-218-937-11	RES-CHIP	47	5%	1/16W
R3753	1-218-989-11	RES-CHIP	1M	5%	1/16W	R3810	1-218-937-11	RES-CHIP	47	5%	1/16W
R3754	1-218-989-11	RES-CHIP	1M	5%	1/16W	R3811	1-218-937-11	RES-CHIP	47	5%	1/16W
R3755	1-218-957-11	RES-CHIP	2.2K	5%	1/16W	R3812	1-218-937-11	RES-CHIP	47	5%	1/16W
R3756	1-218-957-11	RES-CHIP	2.2K	5%	1/16W	R3815	1-218-941-81	RES-CHIP	100	5%	1/16W
R3757	1-208-711-11	METAL CHIP	15K	0.50%	1/16W	R3816	1-218-941-81	RES-CHIP	100	5%	1/16W
R3758	1-208-711-11	METAL CHIP	15K	0.50%	1/16W	R3817	1-218-939-11	RES-CHIP	68	5%	1/16W
R3759	1-208-699-11	METAL CHIP	4.7K	0.50%	1/16W	R3821	1-218-953-11	RES-CHIP	1K	5%	1/16W
						R3822	1-218-965-11	RES-CHIP	10K	5%	1/16W



REF. NO.	PART NO.	DESCRIPTION	VALUES		
R45	1-216-864-11	SHORT CHIP			
R46	1-216-849-11	METAL CHIP	220K	5%	1/10W
R47	1-216-849-11	METAL CHIP	220K	5%	1/10W
R48	1-218-665-11	METAL CHIP	75	0.50%	1/10W
R50	1-218-665-11	METAL CHIP	75	0.50%	1/10W
R59	1-216-864-11	SHORT CHIP			
R60	1-216-864-11	SHORT CHIP			
R75	1-216-821-11	METAL CHIP	1K	5%	1/10W
R89	1-218-665-11	METAL CHIP	75	0.50%	1/10W
<u>VARISTOR</u>					
VD40	1-803-974-21	VARISTOR, CHIP	(1608)		
VD41	1-803-974-21	VARISTOR, CHIP	(1608)		
VD42	1-803-974-21	VARISTOR, CHIP	(1608)		
VD43	1-803-974-21	VARISTOR, CHIP	(1608)		
VD44	1-803-974-21	VARISTOR, CHIP	(1608)		
<u>CAPACITOR</u>					
C4501	1-164-156-11	CERAMIC CHIP	0.1µF		25V
C4502	1-107-826-11	CERAMIC CHIP	0.1µF	10%	16V
C4503	1-162-974-11	CERAMIC CHIP	0.01µF		50V
C4505	1-162-974-11	CERAMIC CHIP	0.01µF		50V
C4506	1-162-974-11	CERAMIC CHIP	0.01µF		50V
C4507	1-162-974-11	CERAMIC CHIP	0.01µF		50V
C4508	1-162-974-11	CERAMIC CHIP	0.01µF		50V
C4510	1-164-156-11	CERAMIC CHIP	0.1µF		25V
C4511	1-127-692-11	CERAMIC CHIP	10µF	10%	16V
<u>CONNECTOR</u>					
* CN4502	1-764-007-11	PIN, CONNECTOR (SMD)			12P
<u>DIODE</u>					
D4503	8-719-078-28	DIODE	SML-010LT-T86		
D4504	8-719-067-82	DIODE	SML-020MLTT86		
D4510	8-719-078-28	DIODE	SML-010LT-T86		



* A-1054-675-A H2 BOARD, MOUNTED

REF. NO.	PART NO.	DESCRIPTION	VALUES		
<u>IC</u>					
IC4501	6-600-210-01	IC			RPM7240-H8
IC4502	6-706-481-01	IC			TC7SET32FU(T5RSOJF)
<u>TRANSISTOR</u>					
Q4503	8-729-422-33	TRANSISTOR			2SD601A-Q-TX
Q4504	8-729-422-33	TRANSISTOR			2SD601A-Q-TX
Q4508	1-801-806-11	TRANSISTOR			DTC144EKA
Q4509	1-801-806-11	TRANSISTOR			DTC144EKA
Q4510	8-729-027-23	TRANSISTOR			DTA114EKA-T146
Q4511	8-729-027-23	TRANSISTOR			DTA114EKA-T146
<u>RESISTOR</u>					
R4502	1-216-813-11	METAL CHIP	220	5%	1/10W
R4504	1-216-805-11	METAL CHIP	47	5%	1/10W
R4505	1-216-837-11	METAL CHIP	22K	5%	1/10W
R4506	1-216-833-11	METAL CHIP	10K	5%	1/10W
R4507	1-216-809-11	METAL CHIP	100	5%	1/10W
R4508	1-216-864-11	SHORT CHIP			
R4509	1-216-813-11	METAL CHIP	220	5%	1/10W
R4512	1-216-813-11	METAL CHIP	220	5%	1/10W
R4513	1-216-833-11	METAL CHIP	10K	5%	1/10W
R4514	1-216-864-11	SHORT CHIP			
R4515	1-216-864-11	SHORT CHIP			
R4516	1-216-813-11	METAL CHIP	220	5%	1/10W
R4517	1-216-833-11	METAL CHIP	10K	5%	1/10W
R4518	1-216-833-11	METAL CHIP	10K	5%	1/10W
<u>SWITCH</u>					
S4501	1-762-196-21	SWITCH, TACTILE			
<u>HM</u>					
* A-1060-186-A HM BOARD, COMPLETE					
<u>CAPACITOR</u>					
C7203	1-162-910-11	CERAMIC CHIP	5pF		0.25pF 50V
C7204	1-162-911-11	CERAMIC CHIP	6pF		0.50pF 50V
C7205	1-162-970-11	CERAMIC CHIP	0.01µF	10%	25V



* A-1060-186-A HM BOARD, COMPLETE



REF. NO.	PART NO.	DESCRIPTION	VALUES	REF. NO.	PART NO.	DESCRIPTION	VALUES
C7206	1-162-970-11	CERAMIC CHIP	0.01μF 10% 25V				
C7207	1-107-826-11	CERAMIC CHIP	0.1μF 10% 16V				
C7208	1-162-970-11	CERAMIC CHIP	0.01μF 10% 25V				
C7209	1-125-837-91	CERAMIC CHIP	1μF 10% 6.3V				
C7210	1-107-826-11	CERAMIC CHIP	0.1μF 10% 16V				
C7211	1-127-760-11	CERAMIC CHIP	4.7μF 10% 6.3V				
C7212	1-125-837-91	CERAMIC CHIP	1μF 10% 6.3V				
C7213	1-162-970-11	CERAMIC CHIP	0.01μF 10% 25V				
C7215	1-164-156-11	CERAMIC CHIP	0.1μF 25V				
C7216	1-162-970-11	CERAMIC CHIP	0.01μF 10% 25V				
C7217	1-125-837-91	CERAMIC CHIP	1μF 10% 6.3V				
C7218	1-164-156-11	CERAMIC CHIP	0.1μF 25V				
C7219	1-164-156-11	CERAMIC CHIP	0.1μF 25V				
C7220	1-164-156-11	CERAMIC CHIP	0.1μF 25V				
C7221	1-164-156-11	CERAMIC CHIP	0.1μF 25V				
C7224	1-164-156-11	CERAMIC CHIP	0.1μF 25V				
CONNECTOR							
CN7201	1-784-010-11	CONNECTOR, USB (B)					
CN7204	1-817-653-11	MEMORY STICK CONNECTOR					
DIODE							
D7201	8-719-800-76	DIODE	1SS226				
D7202	8-719-083-58	DIODE	UDZSTE-173.9B				
D7210	6-500-182-01	DIODE	L-1503CB/1ID-F01				
D7212	8-719-083-58	DIODE	UDZSTE-173.9B				
FERRITE BEAD							
FB7201	1-414-921-11	FERRITE	0μH				
FB7202	1-414-921-11	FERRITE	0μH				
FB7203	1-414-921-11	FERRITE	0μH				
IC							
IC7201	6-703-076-01	IC	XC6204B332MR				
IC7202	6-704-548-01	IC	90C36LC1B-LF				
IC7203	6-704-067-01	IC	M24128-BWMN6T(A)				
COIL							
L7201	1-414-394-11	INDUCTOR	2.2μH				
TRANSISTOR							
Q7201	8-729-424-02	TRANSISTOR	2SB709A-QRS-TX				
Q7202	8-729-422-27	TRANSISTOR	2SD601A-Q				
RESISTOR							
R7201	1-216-864-11	SHORT CHIP					
R7202	1-414-228-11	FERRITE	0μH				
R7203	1-216-837-11	METAL CHIP	22K 5% 1/10W				
R7204	1-216-809-11	METAL CHIP	100 5% 1/10W				
R7206	1-216-857-11	METAL CHIP	1M 5% 1/10W				
R7209	1-414-228-11	FERRITE	0μH				
R7210	1-216-803-11	METAL CHIP	33 5% 1/10W				
R7211	1-216-821-11	METAL CHIP	1K 5% 1/10W				
R7212	1-216-803-11	METAL CHIP	33 5% 1/10W				
R7214	1-216-823-11	METAL CHIP	1.5K 5% 1/10W				
R7215	1-414-228-11	FERRITE	0μH				
R7216	1-216-821-11	METAL CHIP	1K 5% 1/10W				
R7217	1-216-821-11	METAL CHIP	1K 5% 1/10W				
R7218	1-216-829-11	METAL CHIP	4.7K 5% 1/10W				
R7219	1-216-817-11	METAL CHIP	470 5% 1/10W				
R7221	1-216-821-11	METAL CHIP	1K 5% 1/10W				
R7222	1-216-811-11	METAL CHIP	150 5% 1/10W				
R7223	1-216-809-11	METAL CHIP	100 5% 1/10W				
R7224	1-216-809-11	METAL CHIP	100 5% 1/10W				
R7225	1-216-809-11	METAL CHIP	100 5% 1/10W				
R7226	1-216-864-11	SHORT CHIP					
R7227	1-216-864-11	SHORT CHIP					
R7228	1-216-864-11	SHORT CHIP					
R7229	1-216-821-11	METAL CHIP	1K 5% 1/10W				
R7231	1-216-825-11	METAL CHIP	2.2K 5% 1/10W				
R7234	1-216-809-11	METAL CHIP	100 5% 1/10W				
CRYSTAL							
X7201	1-760-965-21	VIBRATOR, CRYSTAL					

REF. NO.	PART NO.	DESCRIPTION	VALUES	REF. NO.	PART NO.	DESCRIPTION	VALUES
<u>ACCESSORIES AND PACKING</u>				<u>REMOTE COMMANDER</u>			
*	4-097-659-01	BAG, PROTECTION		1-478-918-11		REMOTE COMMANDER (RM-Y915)	
	3-704-046-31	BAG, PREVENTION, ELECTRIFICATION (KDF-60XS955 ONLY)		3-072-138-01		BATTERY COVER (FOR RM-Y915)	
*	2-048-993-01	CUSHION LOWER (KDF-55XS955 ONLY)					
*	2-023-612-01	CUSHION LOWER (KDF-60XS955 ONLY)					
*	2-048-992-01	CUSHION UPPER (KDF-55XS955 ONLY)					
*	2-023-611-01	CUSHION UPPER (KDF-60XS955 ONLY)					
	2-059-371-12	GUIDE, QUICK START					
	2-059-371-21	GUIDE, QUICK START					
*	2-048-988-01	INDIVIDUAL CARTON (KDF-55XS955 ONLY)					
*	2-023-607-01	INDIVIDUAL CARTON (KDF-60XS955 ONLY)					
	2-059-372-11	MANUAL, INSTRUCTION					
	2-059-372-21	MANUAL, INSTRUCTION					
*	1-417-507-11	POD-HOST CERT, D-CABLE READY					
*	2-348-100-01	SHEET, PROTECTION					
*	4-097-660-01	SHEET, PROTECTION					
*	2-189-114-01	SPACER (KDF-60XS955 ONLY)					

☛ In an effort to reduce the size of this pdf file the tiled schematics are not attached to this Service Manual. To receive a complete set of the tiled schematics for this manual please submit a request to the Service Promotion Department at Service_Promotion@am.sony.com.